

Illustrated Parts Catalogue



AIRCRAFT MODEL: **P92Echo MK2**

EASA TYPE CERTIFICATE NO.: _____

SERIAL NUMBER : _____

BUILD YEAR: _____

REGISTRATION MARKINGS: _____

Aircraft Parts Catalogue

Edition 1 – Rev. 0

Issue – November 2020

Doc. num. 92/271

INTENTIONALLY LEFT BLANK

**ATA 01
INTRODUCTION**



ILLUSTRATED PARTS CATALOGUE



Ed. 1 Rev. 0

01. Introduction

-00. RECORD OF REVISION	3
-01. RECORD OF TEMPORARY REVISION	5
-02. PARTS CATALOGUE SECTIONS AND CHAPTERS.....	7
-03. TABLE OF CONTENTS	13
-04. GENERAL.....	25
-05. ALPHANUMERIC INDEX	39



ILLUSTRATED PARTS CATALOGUE



Ed. 1 Rev. 0

RECORD OF REVISION



ILLUSTRATED PARTS CATALOGUE



Ed. 1 Rev. 0

RECORD OF REVISION

USE THIS CHECK LIST TO RECORD AND CONTROL ALL OF THE REVISIONS WHICH YOU PUT IN THIS AIRPLANE ILLUSTRATED PARTS CATALOGUE (IPC). PUT THE AFFECTED PAGES OF THE REVISION INTO THE IPC AS SOON AS YOU GET THEM. REMOVE AND DESTROY THE PAGES WHICH ARE SUPERSEDED.

Ed.	Rev.	Chapt.	Pages	Description



ILLUSTRATED PARTS CATALOGUE



Ed. 1 Rev. 0

RECORD OF TEMPORARY REVISION



ILLUSTRATED PARTS CATALOGUE



Ed. 1 Rev. 0

Rev.	Sect.	Page	Date	Rev.	Sect.	Page	Date



ILLUSTRATED PARTS CATALOGUE



Ed. 1 Rev. 0

PARTS CATALOGUE SECTIONS AND CHAPTERS

CHAPT.	SECT.	DESCRIPTION	PAGE
01-		INTRODUCTION	1-56
	00	RECORD OF REVISION	3-56
	01	RECORD OF TEMPORARY REVISION	5-56
	02	PARTS CATALOGUE SECTIONS AND CHAPTERS	7-56
	03	TABLE OF CONTENTS	12-56
	04	GENERAL	23-56
	05	ALPHANUMERIC INDEX	37-56
11-		PLACARDS AND MARKINGS	1-20
	20	EXTERIOR PLACARDS AND MARKINGS	3-20
	30	INTERIOR PLACARDS	15-20
21-		AIR CONDITIONING	1-10
	40	HEATING	3-10
	50	COOLING	7-10
23-		COMMUNICATIONS	1-10
	10	SPEECH COMMUNICATIONS	3-10
	50	AUDIO INTEGRATING	7-10
24-		ELECTRICAL POWER	1-24
	30	DC GENERATION	3-24
	40	EXTERNAL POWER	9-24
	60	DC ELECTRICAL LOAD DISTRIBUTION	13-24
25-		EQUIPMENT AND FURNISHINGS	1-24
	10	FLIGHT COMPARTMENT	3-24
	50	CARGO COMPARTMENT	11-24

	60	EMERGENCY	15-24
	80	INSULATION	19-24
27-		FLIGHT CONTROL	1-32
	10	AILERON AND TAB	3-32
	20	RUDDER	9-32
	30	ELEVATOR AND TAB	17-32
	40	HORIZONTAL STABILIZER / STABILATOR	21-32
	50	FLAPS	29-32
28-		FUEL SYSTEM	1-16
	10	STORAGE	3-16
	20	DISTRIBUTION – DRAIN VALVES	7-16
	40	INDICATING	13-16
31-		INDICATING RECORDING SYSTEM	1-12
	10	INSTRUMENT AND CONTROL PANEL	3-12
	60	CENTRAL DISPLAY SYSTEMS	9-12
32-		LANDING GEAR	1-26
	00	GENERAL	3-26
	10	MAIN GEAR AND DOORS	7-26
	20	NOSE GEAR / TAIL GEAR AND DOORS	13-26
	40	WHEELS AND BRAKES	19-26
33-		LIGHTS	1-6
	40	EXTERIOR LIGHT	3-6
34-		NAVIGATION	1-16
	10	FLIGHT ENVIRONMENT DATA	3-16

	20	ATTITUDE AND DIRECTION	7-16
	50	DEPENDENT POSITION DETERMINING	11-16
52-		DOORS	1-20
	00	GENERAL	3-20
	10	PASSENGER / CREW	7-20
	40	SERVICE	15-20
53-		FUSELAGE	1-22
	00	GENERAL	3-22
	10	FUSELAGE STRUCTURE	7-22
55-		STABILIZERS	1-16
	00	GENERAL	3-16
	10	STABILATOR	6-16
	40	RUDDER	11-16
56-		WINDOWS	1-6
	10	FLIGHT COMPARTMENT	3-6
57-		WINGS	1-24
	10	WING STRUCTURE	3-18
61-		PROPELLERS	1-6
	10	PROPELLER ASSEMBLY	3-6
71-		POWER PLANT	1-18
	00	GENERAL	3-18
	10	COWLING	7-18
	20	MOUNTS	11-18
	70	ENGINE DRAINS	15-18
74-		IGNITION	1-10

	10	ELECTRICAL POWER SUPPLY	3-10
	30	SWITCHING	7-10
75-		BLEED AIR	1-10
	20	ENGINE COOLING	3-10
76-		ENGINE CONTROL	1-8
	10	POWER CONTROL	3-8
77-		ENGINE INDICATING	1-16
	10	POWER	3-16
	20	TEMPERATURE	9-16
	40	INTEGRATED ENGINE INSTRUMENT SYSTEMS	13-16
78-		EXHAUST	1-10
	00	GENERAL	3-10
	10	COLLECTOR - NOZZLE	7-10
79-		OIL SYSTEM	1-12
	10	STORAGE	3-12
	20	DISTRIBUTION	7-12
80-		STARTING	1-6
	10	CRANKING	3-6
93-		SUPPLEMENT LIST	1-4
	00	RECORD OF REVISION	3-4



ILLUSTRATED PARTS CATALOGUE



Ed. 1 Rev. 0

INTENTIONALLY LEFT BLANK



ILLUSTRATED PARTS CATALOGUE



Ed. 1 Rev. 0

TABLE OF CONTENTS

Chapt. Sect.	FIG.	TITLE
ATA 11		PLACARDS AND MARKINGS
11-20		EXTERIOR PLACARD AND MARKING
	1	TAIL CONE/WING REGISTRATION MARKS
	2	IDENTIFICATION MARKS
	3	EXTERIOR PLACARDS AND PAINTING
	4	EXTERIOR PLACARDS (SHEET 1)
	5	EXTERIOR PLACARDS (SHEET 2)
	6	EXTERIOR PLACARDS (SHEET 3)
	7	EXTERIOR PLACARDS (SHEET 4)
	8	MAINTENANCE PLACARDS
11-30		INTERIOR PLACARD
	9	COCKPIT PLACARDS
	10	CENTRAL PEDESTAL LEFT SIDE
	11	CENTRAL PEDESTAL RIGHT SIDE
	12	CLOCHE PLACARD
	13	BAGGAGE COMPARTMENT PLACARDS
ATA 21		AIR CONDITIONING
21-40		HEATING
	1	HEATING SYSTEM

	2	HOT AIR VALVE (DETAIL A)
21-50		COOLING
	3	COOLING WINDOW INTAKE
ATA 23		COMMUNICATIONS
23-10		SPEECH COMMUNICATIONS
	1	COMM 1 ANTENNA
23-50		AUDIO INTEGRATING
	2	AUDIO PANEL
	3	MIC/PHONE CONNECTORS
ATA 24		ELECTRICAL POWER
24-30		DC GENERATION
	1	ALTERNATOR ASSY
	2	BATTERY INSTALLATION
24-40		EXTERNAL POWER
	3	EXTERNAL POWER INSTALLATION
24-60		DC ELECTRICAL LOAD DISTRIBUTION
	4	FIREWALL ELECTRICAL COMPONENTS
	5	BATTERY BACKUP AND RELAYS INTALLATION
	6	GROUNDING COMPONENTS
	7	BREAKER PANEL
	8	CONNECTORS
ATA 25		EQUIPMENT AND FURNISHINGS
25-10		FLIGHT COMPARTMENT

	1	FLIGHT COMPARTMENT PARTS (SHEET 1)
	2	FLIGHT COMPARTMENT PARTS (SHEET 2)
	3	3-POINT SAFETY BELTS
	4	4-POINT SAFETY BELTS (OPT)
25-50		CARGO COMPARTMENT
	5	BAGGAGE COMPARTMENT (SHEET 1)
	6	BAGGAGE COMPARTMENT (SHEET 2)
	7	BAGGAGE COMPARTMENT (SHEET 3)
25-60		EMERGENCY
	8	ELT COMPONENTS
	9	STALL WARNING BUZZER
25-80		INSULATION
	10	INSULATION PANELS
ATA 27		FLIGHT CONTROLS
27-10		AILERON AND TAB
	1	AILERON CONTROL
	2	AILERON CONTROL (RODS INSTALLATION)
27-20		RUDDER
	3	RUDDER CONTROL GENERAL VIEW
	4	DETAIL A (SHEET 1)
	5	DETAIL A (SHEET 2)
	6	RUDDER CONTROL
27-30		ELEVATOR AND TAB

	7	TAB CONTROL
27-40		HORIZONTAL STABILIZER / STABILATOR
	8	STABILATOR AND TAB CONTROLS GENERAL VIEW
	9	STABILATOR AND TAB CONTROLS
	10	STICK ASSY (DETAIL A)
	11	STABILATOR CONTROL
27-50		FLAPS
	12	FLAP CONTROL INSTALLATION
ATA 28		FUEL SYSTEM
28-10		STORAGE
	1	FUEL TANK
28-20		DISTRIBUTION – DRAIN VALVES
	2	FUEL SYSTEM (INSIDE)
	3	FUEL SYSTEM (COWLING SIDE)
28-40		INDICATING
	4	TELEVEL INSTALLATION
ATA 31		INDICATING RECORDING SYSTEM
31-10		INSTRUMENT AND CONTROL PANELS
	1	INSTRUMENT PANEL GENERAL VIEW
	2	FRONT PANEL
	3	CENTRAL PEDESTAL PANEL
31-60		CENTRAL DISPLAY SYSTEM
	4	CENTRAL DISPLAY INSTALLATION

ATA 32		LANDING GEAR
32-00		GENERAL
	1	GENERAL
32-10		MAIN GEAR AND DOORS
	2	MLG
	3	MLG BRAKE
32-20		NOSE GEAR/TAIL GEAR AND DOORS
	4	NLG
	5	NLG FAIRINGS
32-40		WHEEL AND BRAKES
	6	GENERAL BRAKE SYSTEM
	7	DETAIL A (SHEET 1)
	8	DETAIL A (SHEET 2)
	9	DETAIL B
	10	DETAIL C
ATA 33		LIGHTS
33-40		EXTERIOR LIGHTING
	1	TIP LIGHTS
	2	LANDING LIGHT
ATA 34		NAVIGATION
34-10		FLIGHT ENVIRONMENT DATA
	1	ANEMOMETRIC SYSTEM

	2	STATIC DRAIN (DETAIL A)
34-20		ATTITUDE AND DIRECTION
	3	COMPASS AND MAGNETOMETER LOCATION
	4	MAGNETOMETER INSTALLATION
34-50		DEPENDENT POSITION DETERMINING
	5	GPS ANTENNA INSTALLATION
	6	DME TRANSPONDER ANTENNA
	7	TRANSPONDER GTX 35R
ATA 52		DOORS
52-00		GENERAL
	1	GENERAL
52-10		PASSENGER / CREW
	2	FUSELAGE HINGE
	3	LOCK AND HANDLE SYSTEM
	4	GRAB HANDLE AND OPENING SYSTEM
	5	OPENING
52-40		SERVICE
	6	EXTERNAL POWER DOOR
	7	WING INSPECTION PANELS
	8	CENTRAL PEDESTAL INSPECTION PANELS
ATA 53		FUSELAGE
53-00		GENERAL
	1	GENERAL

53-10		FUSELAGE STRUCTURE
	2	ONLY CARBON FIBER FUSELAGE PARTS (SHEET 1)
	3	ONLY CARBON FIBER FUSELAGE PARTS (SHEET 2)
	4	PARACHUTE PARTS INSTALLATION DETAIL
	5	FUSELAGE METALLIC PARTS (SHEET 1)
	6	DETAL A/DETAIL B
	7	DETAL C/DETAIL D
	8	DETAL E/DETAIL F/ DETAIL G
	9	FUSELAGE METALLIC PARTS (SHEET 2)
	10	FUSELAGE METALLIC PARTS (SHEET 3)
ATA 55		STABILIZERS
55-00		GENERAL
	1	GENERAL
55-10		HORIZONTAL STABILIZER / STABILATOR OR CANARD
	2	STABILATOR AND TAB
	3	STABILATOR STRUCTURE
55-40		RUDDER
	4	RUDDER STRUCTURE
ATA 56		WINDOWS
56-10		FLIGHT COMPARTMENT
	1	WINDOWS
ATA 57		WINGS
57-10		WINGS STRUCTURE

	1	WINGS STRUCTURE
	2	WINGS SKIN
	3	LEADING EDGE AND WING STRUT PARTS
	4	STALL WARNING
	5	FLAPS STRUCTURE
	6	AILERON STRUCTURE
ATA 61		PROPELLERS
61-10		PROPELLER ASSEMBLY
	1	PROPELLER INSTALLATION
ATA 71		POWERPLANT
71-00		GENERAL
	1	GENERAL VIEW
71-10		COWLING
	2	COWLING INSTALLATION
71-20		MOUNTS
	3	ENGINE MOUNT
	4	ENGINE SUPPORT
71-70		ENGINE DRAINS
	5	ENGINE DRAINS
ATA 74		IGNITION
74-10		ELECTRICAL POWER SUPPLY
	1	SMD ELECTRONIC MODULE
74-30		SWITCHING

	2	IGNITION SWITCH
ATA 75		BLEED AIR LIQUID COOLING SYSTEM
75-20		ENGINE COOLING
	1	COOLING SYSTEM GENERAL VIEW
	2	COOLANT STORAGE
	3	COOLANT DISTRIBUTION
	4	RADIATOR INSTALLATION (SHEET 1)
	5	RADIATOR INSTALLATION (SHEET 2)
ATA 76		ENGINE CONTROLS
76-10		POWER CONTROL
	1	THROTTLE CONTROL
	2	CHOKE CONTROL
ATA 77		ENGINE INDICATING
77-10		POWER
	1	OIL PRESSURE PROBE
	2	FUEL PRESSURE AND MAP SENSOR
77-20		TEMPERATURE
	3	OIL AND COOLANT TEMPERATURE PROBE
77-40		INTEGRATED ENGINE INSTRUMENT SYSTEM
	4	GEA 24
ATA 78		EXHAUST
78-00		GENERAL
	1	EXHAUST GENERAL VIEW

78-10		COLLECTOR/NOZZLE
	2	EXHAUST SYSTEM
ATA 79		Oil system
79-10		STORAGE
	1	OIL TANK
79-20		DISTRIBUTION
	2	OIL DISTRIBUTION
	3	OIL DISTRIBUTION (TO ENGINE)
	4	RADIATOR INSTALLATION
	5	OIL DISTRIBUTION (FROM ENGINE)
ATA 80		STARTING
80-10		CRANKING
	1	STARTER RELAY INSTALLATION
	2	ENGINE STARTER
ATA 93		SUPPLEMENT LIST



ILLUSTRATED PARTS CATALOGUE



Ed. 1 Rev. 0

INTENTIONALLY LEFT BLANK



ILLUSTRATED PARTS CATALOGUE



Ed. 1 Rev. 0

GENERAL

1. Purpose

Costruzioni Aeronautiche Tecnam S.p.A. , Via Maiorise , 81043 Capua, Italy built the Tecnam *P92Echo MK2*.

You can use the Illustrated Parts Catalogue to identify spare parts for the Tecnam *P92Echo MK2*. You can also use the Illustrated Parts Catalogue to identify their series or optional equipment.

The Tecnam *P92Echo MK2* Illustrated Parts Catalogue does not identify spare parts for the Rotax 912S engine. Only parts made by Costruzioni Aeronautiche Tecnam for engine installation will be identified in the Illustrated Parts Catalogue. For data on spare parts for the engine refer to the Rotax 912ULS2 Illustrated Parts Catalogue.

The informations included in this Illustrated Parts Catalogue are based on data available at the time of publication. The Illustrated Parts Catalogue will be update, supplemented by all informations issued In Tecnam S.p.A. . Users are urged to keep abreast of the latest revision available through the Tecnam S.p.A. Official Website.

2. Effectivity

This Illustrated Parts Catalogue is applicable to the Tecnam *P92Echo MK2* aircraft. If one or more aircraft parts are applicable to specific Aircraft serial number, it is Specified in the "S/N" column of the detailed part list.

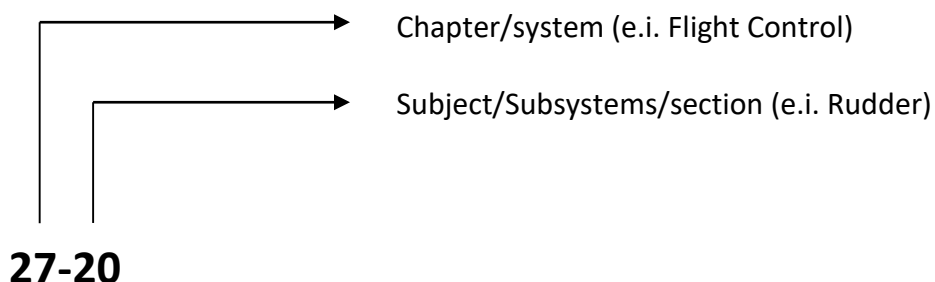
3. Record of Revisions

The Illustrated Parts Catalogue has a Record of Revisions.

- The revised pages replace the existing pages in the Illustrated Parts Catalogue.
- The new pages will be inserted in the Illustrated Parts Catalogue by chapter, section, and page number.

4. Page Numbering System

The page number is at the top on the outer right edge. The Pages Numbering System used in the Illustrated Parts Catalogue (in accordance with ATA 100 Specification), consists of two elements number separated by a dash.

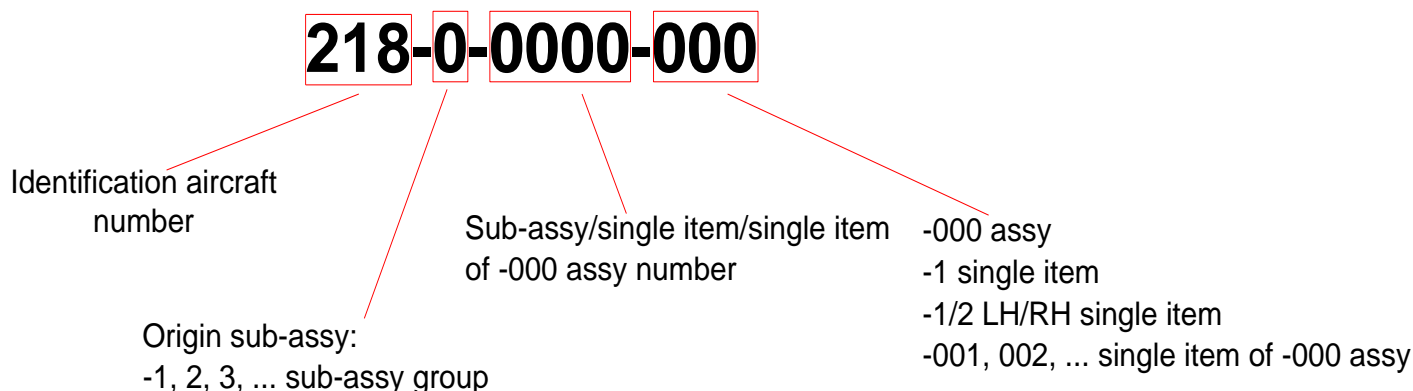


5. Part numbering system

Each assy is identified with a Part Number, which, in turn, is made of a series of sub assy. The sub assy are made of separate item also individually identified with another P/N.

The P/N is a numerical code, thanks to which we can identify the group it belongs to. It is made of four numerical part separate with a dash (for example. 218-0-0000-000)

Attached picture explains the “etymology” of a P/N:



In particular:

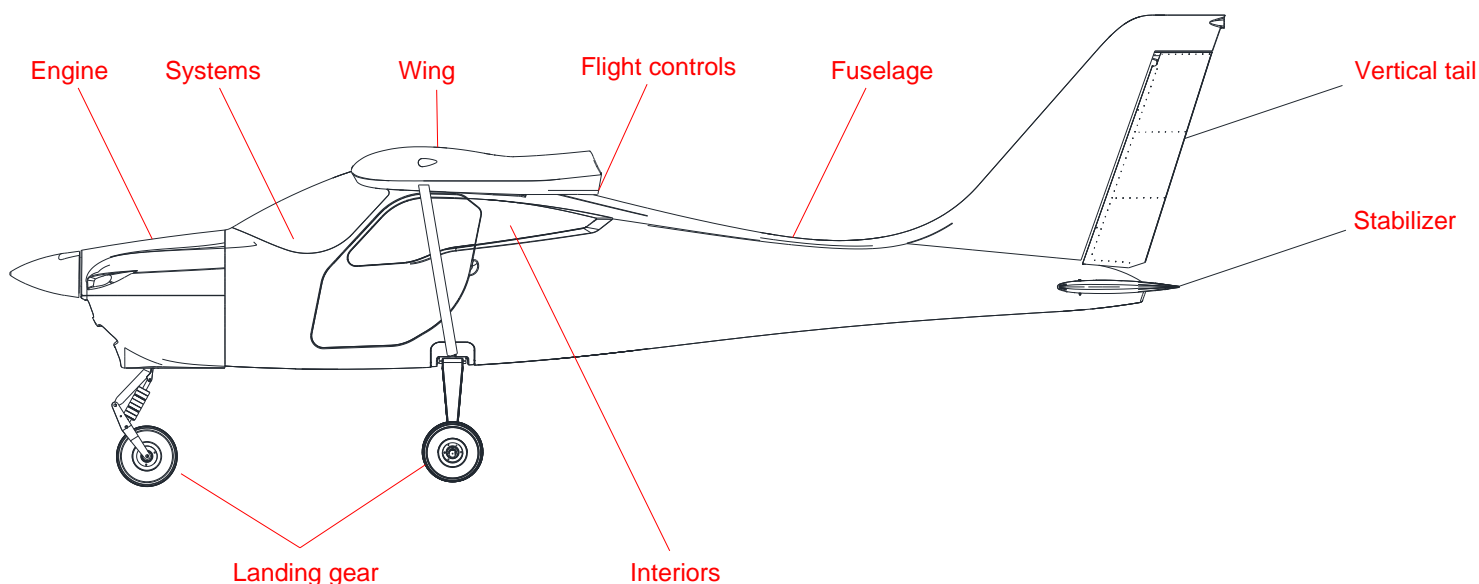
- The first number is an abbreviation of the aircraft name, in this case is “P92Echo MK2” then “218”;

- The second part, identifies the group. The *P92Echo MK2* has been divided into nine groups:

WINGS	-1
FUSELAGE	-2
FLIGHT CONTROLS	-5
VERTICAL TAIL	-6
STABILIZER	-7
LANDING GEAR	-8
SYSTEMS	-9
ENGINE	-10
INTERIORS	-12

- The third parts is a sequential number to identify a sub assy, a single item or a single item of an -000 assy/sub-assy.
- The fourth and last part concern the assy (-000) or a single part (-1, -2, -3). Is also used to specify if there is a single part or a double left and right part (1/2 LH/RH, ...).

The groups described are shown below:



For example, an item having Part Number 218-1-1500-1/2 belongs to *P92Echo MK2*, located in the wing, and split in left (-1) and right (-2).

6. Detailed parts list (Refer Fig.1)

- The Item Number (1) or the Alphabetic Character (only for assy) (2) refers to the Item Number in the corresponding illustration.
- The Part Number column (4) includes the numbers assigned to the parts by the manufacturer.
- The Nomenclature column (5) includes a brief description of the parts.
- The "S/N" column (6) includes the number which indicate that use of the part is restricted.

For example: "S/N xxx" indicates that the part is used only for the A/C with serial number xxx; "from S/N xxx to S/N yyy" indicates that the part is used from the A/C with S/N xxx to the A/C with S/N yyy; "from S/N xxx" indicates that the part is used from the A/C with S/N xxx.

- The Q.ty Column (7) shown the quantity necessary for the next higher assembly or installation (LH or RH when it is necessary).

FIG.ITEM		P/N	DESCRIPTION	S/N	Q.ty LH RH	
1		218-9-1002-001	WING TO FUSELAGE TUBE LH		1	
		218-9-1002-002	WING TO FUSELAGE TUBE RH			1
2		218-9-1004-001	FUSELAGE TO VALVE ANDAIRE TUBE ASSY LH		1	
3		218-9-1004-002	FUSELAGE TO VALVE ANDAIRE TUBE ASSY RH			1
4		218-9-1006-000	VALVE ANDAIRE TO FIREWALL TUBE ASSY		1	
5		218-1008-1	FIREWALL TO GASCOLATOR TUBE		1	
6		218-9-1010-000	GASCOLATOR TO ELECTRIC PUMP HOSE ASSY		1	
7		218-9-1012-000	ELECTRIC PUMP TO MECHANIC PUMP TUBE ASSY		1	
8		218-9-1020-000	ENGINE TUBES ASSY		1	
9		218-9-1032-000	RETURN HOSE ASSY (FROM FIREWALL TO FUSELAGE)		1	
10		218-9-1032-1	RETURN HOSE (FROM FUSELAGE TO TANK)		1	
11		218-2-1134-1	FUEL TUBES SUPPORT		1	
12		AN816-4D	FITTING		1	
13		05391812	8-12 CLAMP		9	
14		MS21919WDG12	WDG CLAMP		2	2
15		AN816-2D	FITTING		1	
16		92-9-402-2	BULKHEAD (RETURN)		1	
17		242871	NUT		2	
18		92-9-402-3	BULKHEAD (MAIN)		1	
19		AN822-4D	FITTING		2	
20		EFS20x2-LAL-30	ANDAIR VALVE		1	
21		218-2-1132-1	ANDAIR VALVE SUPPORT		1	
22		010301111	GASCOLATOR		1	
23		218-9-1050-1	GASCOLATOR THICKNESS		1	
24		478360	FUEL PUMP (FACET)		1	
25		21-11-344-2	FUEL PUMP THICKNESS		1	
26		21-11-344-3	LEXAN SHIM		1	
27		22-9-140-1	FORK		2	
28		AN3-4A	BOLT		3	
29		AN960-10	WASHER		3	
30		MS21047L3	ANCOR NUT		3	
31		UNI5737-6-25	BOLT		2	
32		UNI6592-6	WASHER		4	

ATA 28-20 DISTRIBUTION - DRAIN VALVES

Figure 1

7. Abbreviations

The following abbreviations have been used in this Illustrated Parts Catalogue

<u>ABBREVIATION</u>	<u>WORD</u>
&	AND
A	AMPERE
A/P	AUTOPILOT
AC	ALTERNATING CURRENT
A/C	AIRCRAFT
ADF	AUTOMATIC DIRECTION FINDER
ALT	ALTERNATE
AN	ARMY - NAVY STANDARDS
ASSY	ASSEMBLY
ATA	AIR TRANSPORT ASSOCIATION OF AMERICA
AUX	AUXILIARY
CYL	CYLINDER
DC	DIRECT CURRENT
DME	DISTANCE MEASURING EQUIPMENT
EXT	EXTERNAL
FG	FIBERGLASS
FIG.	FIGURE
FWD	FORWARD
KIAS	KNOTS INDICATED AIRSPEED
LH	LEFT HAND
LWR	LOWER
MLG	MAIN LANDING GEAR
MS	MILITARY STANDARD
NAS	NATIONAL AEROSPACE STANDARDS
NLG	NOSE LANDING GEAR
OAT	OUTSIDE AIR TEMPERATURE

Ed. 1 Rev. 0

P/N	PART NUMBER
PSI	POUND SQUARE INCH
Q.TY	QUANTITY
RH	RIGHT HAND
RPM	REVOLUTION OER MINUTE
S/N	SERIAL NUMBER
SB	SERVICE BULLETIN
SECT	SECTION
STD	STANDARD
OPT	OPTIONAL
SYS	SYSTEM
TEMP.	TEMPERATURE
TH	THICKNESS
UNI	ENTE NAZIONALE PER L'UNIFICAZIONE
UPR	UPPER
V	VOLT
VFR	VISUAL FLIGHT RULES
VHF	VERY HIGH FREQUENCY
VOR	VERY HIGH FREQUENCY OMNI DIRECTIONAL RADIO RANGING
W	WATT

8. Numerical Index

The Numerical Index gives all the spare parts in the Illustrated Parts Catalogue.

9. How to use the Illustrated Parts Catalogue - If Part Numbers is known

If the Part Number is known proceed as follows (Refers Figure 2)

NOTE: For example search P/N "218-10-1002-1"

- Find the Part Number (1) in the Numerical Index.
- Locate the related chapter, section subject, figure and item number (2) in the Numerical Index.
- Turn to chapter, section, subject and figure (3).
- Locate the Part Number and the related Item Number (4) in the Part List.
- Locate Item Number (5) on the illustrated through the Item Number.

QUALITY AIRCRAFT SINCE 1948
TECNAM ILLUSTRATED PARTS CATALOGUE
Ed. 1 Rev. 0

PipECHO MK2

P/N	CH-SE	Q.TY	
		LH	RH
218-9-4020-000	71-10	1	
218-9-6002-000	21-40	1	
218-9-5010-1	21-40	1	
218-9-5012-1	21-40	1	
218-9-5014-1	21-40	1	
218-9-5016-1	21-40	1	1
218-9-6002-1	34-10	1	
218-9-6002-2	34-10		1
218-9-6004-1	34-10	1	
218-9-6006-1	34-10	1	
218-9-6008-1	34-10	1	
218-9-6010-1	34-10	1	
218-9-6012-1	34-10	1	
218-9-6100-000	21-40	1	
218-9-7002-1	24-40	1	
218-9-7004-1	24-40	1	
218-9-7006-1	24-40	1	
218-9-7010-000	24-30	1	
218-9-7010-1	24-30	1	
218-9-7015-000	24-60	1	
218-10-100-000	28-20	1	
218-10-1002-1	71-20	1	
218-10-1004-1	71-10	1	
218-10-1006-000	71-10	1	
218-10-1006-1	52-40	1	
218-10-1021-000	52-40	1	
218-10-1022-000	71-70	1	
218-10-1022-1	71-70	1	
218-10-1040-000	71-70	1	
218-10-1041-1	77-10	1	
218-10-1060-000	77-10	1	
218-10-1060-000	21-40	1	
218-12-1002-1	31-10	1	
218-12-1002-1	25-10	1	
218-12-1004-1	25-10	1	
218-12-1006-1	25-10	1	
218-12-1008-1	31-10	1	
218-12-1008-1	25-10	1	

ATA 01-05 ALPHANUMERIC INDEX

QUALITY AIRCRAFT SINCE 1948
TECNAM ILLUSTRATED PARTS CATALOGUE
Ed. 1 Rev. 0

PipECHO MK2

FIG.ITEM	P/N	DESCRIPTION	S/N	Q.ty	
				LH	RH
1	218-10-1002-1	UPPER COWLING		1	
2	218-10-1004-1	LOWER COWLING		1	
3	218-9-4020-000	RADIATOR INTAKE COVER		1	
4	2600-5W	CAMLOCK STUD		6	
5	2600-LW	CAMLOCK WASHER		6	
6	212-12N	CAMLOCK RECEPTACLE		6	
7	ORDD02-02407	BLIND RIVET		12	
8	AN525C832R8	SCREW		8	
9	BACW108P3NDP	WASHER		8	
10	PB002-02406	BLIND RIVET		16	
11	MS21059-06	ANCHOR NUT		8	
12	20-2-701-1	ANGULAR SUPPOR		4	
13	00240-12	SCREW		2	
14	UNI1751-4	GROWER		2	
15	UN8592-4	WASHER		2	
16	UN9201-4	RIVNUT		2	

ATA 71-10 COWLING

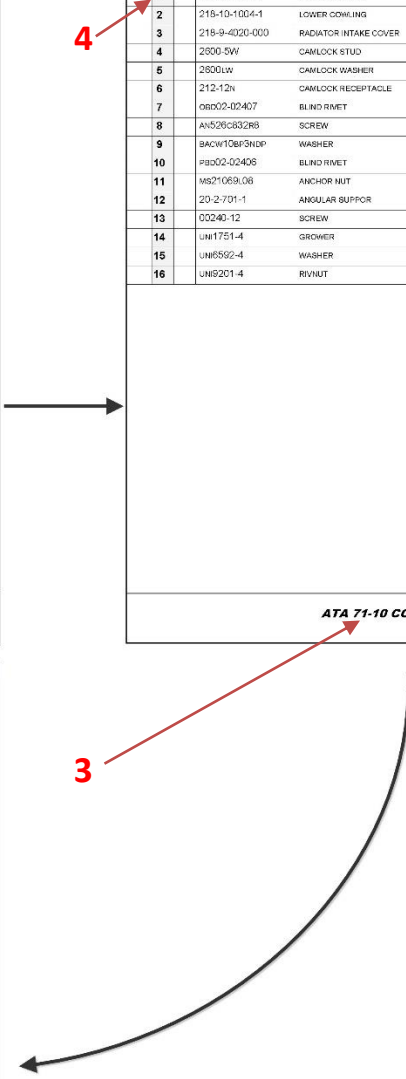
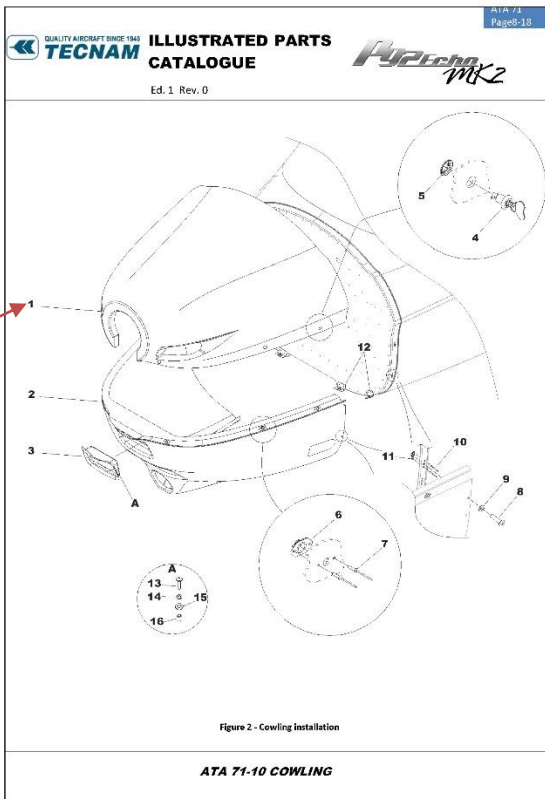


Figure 2

10. How to use the Illustrated Parts Catalogue - If Part Numbers is Unknown

If the Part Number is Unknown proceed as follows (Refers figure 3)

NOTE: For example search "Upper cowling".

- Turn to Table of contents (1).
- Search for "Powerplant" in the list (2).
- Note the related Chapter 71 Powerplant (3).
- Note the related Section 71-10 Cowling (4).
- Note the related Figure "Cowling installation" (5).
- Locate the related Chapter-Section (6).
- Turn to the related Figure illustration (7).
- Locate the related part in the illustration and note the Item number (8).
- Turn to the related Detailed Part list and locate the item number (9).
- Note Part Number, Description and Quantity of the related part (10).

ATA 01 Page20-90

QUALITY AIRCRAFT SINCE 1948 **TECNAM** ILLUSTRATED PARTS CATALOGUE *Pipecho MK2*
Ed. 1 Rev. 0

6	AILERON STRUCTURE
ATA 61	PROPELLERS
61-10	PROPELLER ASSEMBLY
1	PROPELLER INSTALLATION
ATA 71	POWERPLANT
71-00	GENERAL
1	GENERAL VIEW
71-10	COWLING
2	COWLING INSTALLATION
71-20	MOUNTS
3	ENGINE MOUNT
4	ENGINE SUPPORT
71-70	ENGINE DRAINS
5	ENGINE DRAINS
ATA 74	IGNITION
74-10	ELECTRICAL POWER SUPPLY
1	SMD ELECTRONIC MODULE
74-30	SWITCHING
2	IGNITION SWITCH
ATA 75	BLEED AIR LIQUID COOLING SYSTEM
75-20	ENGINE COOLING
1	COOLING SYSTEM GENERAL VIEW
2	COOLANT STORAGE

1 → **ATA 01-03 TABLE OF CONTENTS**

ATA 71 Page2-18

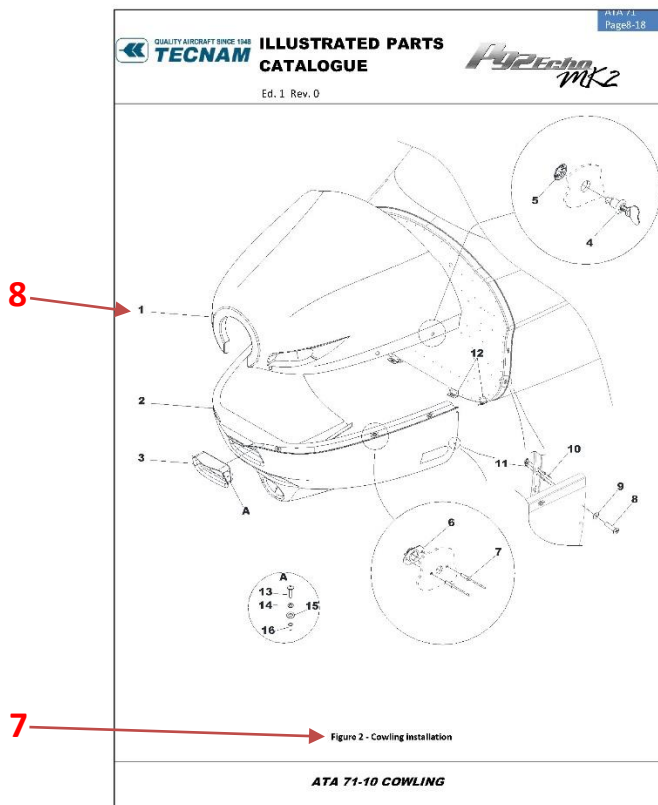
QUALITY AIRCRAFT SINCE 1948 **TECNAM** ILLUSTRATED PARTS CATALOGUE *Pipecho MK2*
Ed. 1 Rev. 0

71. POWER PLANT

-00.	GENERAL	3
-10.	COWLING	7
-20.	MOUNTS	11
-70.	ENGINE DRAINS	15

6 →

ATA 71 POWER PLANT



ATA 71 Page9-18

QUALITY AIRCRAFT SINCE 1948 **TECNAM** ILLUSTRATED PARTS CATALOGUE *Pipecho MK2*
Ed. 1 Rev. 0

FIG. ITEM	P/N	DESCRIPTION	QTY	LH RH	
				LH	RH
1	218-10-1002-1	UPPER COWLING	1		1
2	218-10-1004-1	LOWER COWLING	1		1
3	218-9-4020-000	RADIATOR INTAKE COVER	1		
4	2600-5W	CAMLOCK STUD	6		
5	2600LW	CAMLOCK WASHER	6		
6	212-12N	CAMLOCK RECEPTACLE	6		
7	06002-02407	BLIND RIVET	12		
8	AN526C532H6	SCREW	8		
9	BACW10BFSNDP	WASHER	8		
10	PR602-02406	BLIND RIVET	16		
11	MS21059L08	ANCHOR NUT	8		
12	20-2-701-1	ANGULAR SUPPOR	4		
13	00240-12	SCREW	2		
14	UN1751-4	GROWER	2		
15	UN6592-4	WASHER	2		
16	UN6201-4	RIVNUT	2		

9 →

10 →

ATA 71-10 COWLING

Figure 3

11. Spares Orders

When you order spare parts, you must give the name of the system and its Chapter number. Or you must give the sub-system with its Section number. You must also give this data:

- Figure and item number
- Part number
- Description
- Quantity required
- S/N of the airplane

Example, you want to send an order for an Upper cowling. You must give this data:

- Chapter 71-10; Cowling
- Figure - Item 2 - 1
- Part Number 218-10-1002-1
- Description Upper cowling
- Quantity 1
- S/N 004

If the spare part does not have a part number, give:

- Figure number
- Item number
- Description
- Quantity

Send you order to this address:

Tecnam Costruzioni Aeronautiche S.p.A. , Via Maiorise , 81043 Capua, Italy.

Or you can telephone (+39) 0823 622297 or Fax (+39) 0823 622899



ILLUSTRATED PARTS CATALOGUE



Ed. 1 Rev. 0

INTENTIONALLY LEFT BLANK



ILLUSTRATED PARTS CATALOGUE



Ed. 1 Rev. 0

ALPHANUMERIC INDEX

P/N	CH-SE	Q.TY	
		LH	RH
20-1-120-1	57-10	2	
20-1-120-2	57-10	2	
20-1-120-3	57-10	4	4
20-1-130-000	57-10	1	1
20-1-130-1	57-10	2	
20-1-132-1	57-10	1	
20-1-132-2	57-10	1	
20-1-140-1	57-10	1	
20-1-140-2	57-10	1	
20-1-140-3	57-10	1	
20-1-140-4	57-10	1	
20-1-142-1	57-10	1	1
20-1-142-2	57-10	1	1
20-1-142-3	57-10	2	
20-11-908-000	71-20	2	
20-11-908-000	79-20	2	
20-1-202-1	57-50	2	2
20-1-204-1	57-50	1	1
20-1-204-2	57-50	1	1
20-1-204-3	57-50	2	2
20-1-208-1/2	57-50	1	1
20-1-209-1	57-50	2	2
20-1-220-1	57-10	1	
20-1-220-2	57-10	1	
20-1-224-1/2	57-60	1	1
20-1-225-001/2	57-60	1	1
20-1-228-1	57-10	1	1
20-1-228-2	57-10	5	5
20-1-230-1	57-10	1	1
20-1-230-2	57-10	1	1
20-1-240-001-2	57-40	1	1
20-1-241-1/2	57-40	1	1
20-2-362-2	53-10	1	1
20-2-701-1	71-10	4	
20-2-701-1	71-70	2	
209-5-110-001	27-20	1	
209-5-110-002	27-20		1
209-5-621-1	76-10	1	

P/N	CH-SE	Q.TY	
		LH	RH
209-5-621-2	76-10	1	
210-10-1040-1	77-10	1	
210-2-2121-001	52-10	1	
210-2-2121-002	52-10		1
210-2-2123-001	52-10	1	
210-2-2123-002	52-10		1
210-2-4121-001	53-10	1	1
210-2-4210-001	52-10	2	
210-5-3010-2	27-30		1
210-5-6021-001	52-10	2	
210-6022-001	52-10	2	
210-6-2006-001	76-10	1	
21-11-332-1	28-20	1	
21-11-344-2	28-20	1	
21-11-344-3	28-20	1	
21-1-201-1/2	57-50	1	1
21-1-340-001	28-10	1	
21-1-340-001/2	57-40	1	1
21-1-340-002	28-10		1
21-1-912-1	52-40	2	2
21-5-320-002	27-20	1	1
21-5-320-1	27-20	1	1
218-9-1008-1	28-20	1	
218-1-1000-001	57-10	1	
218-1-1000-001	57-10	1	
218-1-1002-1	57-10	2	2
218-1-1004-1	57-10	2	2
218-1-1200-001/2	57-40	1	1
218-1-1500-001/2	57-40	1	1
218-1-1500-1/2	57-40	1	1
218-1-1510-000	57-40	1	1
218-1-3000-001/2	57-50	1	1
218-1-3002-1	57-50	1	1
218-1-3004-1	57-50	1	1
218-1-3006-1	57-50	1	1
218-1-3008-1	57-50	1	1
218-1-3010-1	57-50	1	1
218-2-1000-000	53-10	1	

Ed. 1 Rev. 0

P/N	CH-SE	Q.TY	
		LH	RH
218-2-1001-1	53-10	1	
218-2-1002-1	53-10	1	
218-2-1002-2	53-10	1	
218-2-1003-1	53-10	1	
218-2-1004-1	53-10	1	
218-2-1004-2	53-10	1	
218-2-1005-1	53-10	1	
218-2-1006-1	53-10	1	
218-2-1007-1	53-10	1	
218-2-1008-1	53-10	1	
218-2-1009-1	53-10	1	
218-2-1010-1	53-10	1	
218-2-1012-1	53-10	1	
218-2-1014-1	53-10	1	
218-2-1014-2	53-10	1	
218-2-1014-3	53-10	1	
218-2-1014-4	53-10	1	
218-2-1016-1	53-10	1	
218-2-1018-1	21-40	1	
218-2-1018-1	53-10	1	
218-2-1019-1	53-10	1	
218-2-1019-2	53-10	1	
218-2-1020-1	53-10	1	
218-2-1021-1	53-10	1	
218-2-1022-1	53-10	1	
218-2-1026-1	53-10	1	1
218-2-1028-1	53-10	1	
218-2-1030-1	53-10	1	
218-2-1031-1	53-10	1	
218-2-1032-1	53-10	1	
218-2-1034-1	53-10	1	
218-2-1034-2	53-10	1	
218-2-1040-000	53-10	1	
218-2-1042-1	53-10	1	
218-2-1042-2	53-10	1	
218-2-1042-3	53-10	1	
218-2-1044-1	53-10	1	
218-2-1046-1	53-10	1	

Ed. 1 Rev. 0

P/N	CH-SE	Q.TY	
		LH	RH
218-2-1048-1	53-10	1	
218-2-1050-1	53-10	1	
218-2-1050-2	53-10	1	
218-2-1050-3	53-10	1	
218-2-1100-000	53-10	1	
218-2-1101-000	53-10	1	
218-2-1102-000	27-20	1	
218-2-1106-001	27-30	1	
218-2-1106-001	53-10	1	
218-2-1106-002	53-10	1	
218-2-1108-1	53-10	1	
218-2-1110-1	53-10	1	1
218-2-1112-1	53-10	1	
218-2-1112-2	53-10	1	
218-2-1114-1	53-10	1	1
218-2-1116-1	53-10	1	1
218-2-1118-1	53-10	2	2
218-2-1122-1	27-10	1	1
218-2-1122-1	53-10	1	1
218-2-1122-2	53-10	1	1
218-2-1124-1	27-10	3	3
218-2-1124-1	27-50	1	1
218-2-1124-1	53-10	3	3
218-2-1126-1	27-20	1	1
218-2-1126-1	27-40	1	1
218-2-1126-1	53-10	2	2
218-2-1128-1	53-10	1	
218-2-1130-1	24-60	1	
218-2-1130-1	53-10	1	
218-2-1132-1	28-20	1	
218-2-1132-1	53-10	1	
218-2-1134-1	28-20	1	
218-2-1134-1	53-10	1	1
218-2-1136-1	53-10	1	
218-2-1138-001	53-10	1	
218-2-1138-002	53-10	1	
218-2-1138-1	34-50	1	
218-2-1142-1	53-10	1	

Ed. 1 Rev. 0

P/N	CH-SE	Q.TY	
		LH	RH
218-2-1146-1	53-10	1	1
218-2-1148-1	53-10	1	
218-2-1150-1	32-40	1	
218-2-1150-1	53-10	1	
218-2-1152-1	34-10	1	
218-2-1152-1	53-10	1	
218-2-1154-1	53-10	1	
218-2-1156-1/2	52-10	1	1
218-2-1158-1	24-60	1	
218-2-1160-1	53-10	1	
218-2-1162-1	53-10	1	
218-2-1164-1	53-10	1	
218-2-1174-1	53-10	2	
218-2-1200-000	53-10	1	
218-2-1200-001	53-10	1	
218-2-1200-001	25-10	1	
218-2-1200-002	53-10	1	
218-2-1200-002	25-10		1
218-2-1200-003	53-10	2	
218-2-1200-003	25-10	1	1
218-2-2000-1	56-10	1	
218-2-2002-1	56-10	1	
218-2-2002-2	56-10		1
218-2-2010-001/2	52-00	1	1
218-2-2014-1/2	52-10	1	1
218-2-2016-001/002	52-10	1	1
218-2-2020-1/2	52-10	1	1
218-2-2022-1	56-10	1	
218-2-2022-2	56-10		1
218-2-2030-1	52-10	2	
218-2-2042-1	52-10	1	1
218-2-2045-001/002	52-10	1	1
218-2-2050-1	52-10	1	1
218-2-2060-000	52-10	1	1
218-2-2062-000	52-10	1	1
218-2-2064-1	52-10	1	1
218-2-2070-1/2	52-10	1	1
21-8-230-2	32-10	1	1

Ed. 1 Rev. 0

P/N	CH-SE	Q.TY	
		LH	RH
218-5-1110-000	27-10		1
218-5-1120-000	27-10	1	1
218-5-1130-000	27-10	1	1
218-5-2010-000	27-20		1
218-5-2030-000	27-20	1	
218-5-2040-000	27-20		1
218-5-2050-000	27-20	1	
218-5-2060-000	27-20		1
218-5-3010-1	27-30	1	
218-5-3020-000	27-30		1
218-5-3030-000	27-30		1
218-5-4010-000	27-40		1
218-5-4020-000	27-40		1
218-5-4024-1	27-40	1	1
218-5-4030-000	27-40		1
218-5-5010-000	27-50		1
218-5-5010-001	27-50	1	
218-5-5010-002	27-50		1
218-5-5028-1	27-50		1
218-5-5038-1	27-10	1	1
218-5-5038-1	27-50	1	1
218-5-5040-000	27-50		1
218-5-5042-1	27-50		1
218-5-5046-1	27-10		1
218-5-5046-1	27-50		1
218-5-5050-000	27-50	1	1
218-6-1000-0000	55-40		1
218-6-1002-1	27-20		1
218-6-1002-1	55-40		1
218-6-1004-1	55-40		1
218-6-9002-1	27-10	1	1
218-6-9002-1	27-10		1
218-6-9002-1	27-40	1	1
218-6-9002-1	27-50	1	1
218-7-1010-000	27-40		1
218-7-1010-000	55-10		1
218-7-1500-001	27-30	1	
218-7-1500-001/002	55-10	1	1

P/N	CH-SE	Q.TY	
		LH	RH
218-7-1500-002	27-30		1
218-7-1500-1	55-10	1	1
218-8-1000-000	32-00		1
218-8-1000-000	32-10		1
218-8-1005-1	32-10	1	1
218-8-1008-1	32-10	1	1
218-8-2000-000	32-00		1
218-8-2000-000	32-20		1
218-9-1002-001	28-20	1	
218-9-1002-002	28-20		1
218-9-1004-001	28-20	1	
218-9-1004-002	28-20		1
218-9-1006-000	28-20		1
218-9-1010-000	28-20		1
218-9-1012-000	28-20		1
218-9-1020-000	28-20		1
218-9-1020-000	77-10		1
218-9-1032-000	28-20	1	
218-9-1032-1	28-20	1	
218-9-1050-1	28-20		1
218-9-2002-000	32-40		1
218-9-2004-000	32-40		1
218-9-2006-000	32-40		1
218-9-2008-000	32-40		1
218-9-2010-000	32-40		1
218-9-2012-000	32-40		1
218-9-2014-000	32-40		2
218-9-2016-1	32-40		2
218-9-2018-1	32-40		1
218-9-3000-000	75-20		1
218-9-3002-1	75-20		1
218-9-3004-000	75-20		1
218-9-3006-000	75-20		1
218-9-3008-1	75-20		1
218-9-3010-1	75-20		1
218-9-3012-1	75-20	1	
218-9-3012-2	75-20		1
218-9-3020-000	75-20		1

P/N	CH-SE	Q.TY	
		LH	RH
218-9-4002-000	79-20	1	
218-9-4004-000	79-20	1	
218-9-4006-1	79-20	1	
218-9-4008-000	79-20	1	
218-9-4020-000	71-10	1	
218-9-5002-000	21-40	1	
218-9-5010-1	21-40	1	
218-9-5012-1	21-40	1	
218-9-5014-1	21-40	1	
218-9-5016-1	21-40	1	1
218-9-6002-1	34-10	1	
218-9-6002-2	34-10		1
218-9-6004-1	34-10	1	
218-9-6006-1	34-10	1	
218-9-6008-1	34-10	1	
218-9-6010-1	34-10	1	
218-9-6012-1	34-10	1	
218-9-6100-000	21-40	1	
218-9-7002-1	24-40		1
218-9-7004-1	24-40		1
218-9-7006-1	24-40		1
218-9-7010-000	24-30		1
218-9-7010-1	24-30		1
218-9-7015-000	24-60	1	
218-10-1000-000	71-00	1	
218-10-100-000	71-00	1	
218-10-1002-1	71-20	1	
218-10-1004-1	71-10	1	
218-10-1006-000	52-40	1	
218-10-1006-1	52-40	1	
218-10-1007-000	52-40	1	
218-10-1021-000	52-40	1	
218-10-1022-000	71-70	1	
218-10-1022-1	71-70	1	
218-10-1040-000	71-70	1	
218-10-1041-1	77-10	1	
218-10-1050-000	77-10	1	
218-10-1050-000	21-40	1	

P/N	CH-SE	Q.TY	
		LH	RH
218-12-1002-1	31-10	1	
218-12-1002-1	25-10	1	
218-12-1004-1	25-10	1	
218-12-1006-1	25-10	1	
218-12-1008-1	31-10	1	
218-12-1008-1	25-10	1	
218-12-1012-1	25-10	1	
218-12-1012-2	25-10	1	
218-12-1016-1	25-50	1	
218-12-1021-1	25-80	1	
218-12-1021-2	25-80		1
218-12-1021-3	25-80	1	
218-12-1030-1	25-10	1	
218-12-1032-1	76-10	1	
218-12-1036-1	76-10	1	
218-12-1040-000	11-30	1	
218-12-1040-000	31-10	1	
218-12-1042-1	31-10	1	
218-12-1044-1	76-10	1	
218-12-1046-1	76-10	1	
218-12-1048-1	25-10	1	
218-12-1050-1	52-40	1	1
218-12-1050-1	25-10	2	
218-12-1052-1	52-40		1
218-12-1052-1	25-10	1	
218-12-1054-1	52-40		1
218-12-1054-1	25-10	1	
218-12-1059-1	25-10	1	1
218-12-1059-2	25-10	1	1
218-12-1062-1	25-10	2	
218-12-1066-1	76-10	1	
218-12-1104-000	24-60	1	
218-12-1104-000	31-10	1	
218-12-1104-000	11-30	1	
218-12-1106-002	11-30	1	
218-12-1106-2	31-10	1	
218-12-1108-1	31-10	1	
218-12-1108-1	11-30	1	

P/N	CH-SE	Q.TY	
		LH	RH
218-12-1110-000	11-30	1	
218-12-1110-1	21-40	1	
218-12-1114-000	11-30	1	
218-12-1114-1	31-10	1	1
218-12-1114-1	31-10	1	
218-12-1114-1/2	25-10	1	1
218-12-1116-000	11-30	1	
218-12-1116-1	31-10	1	
218-12-1200-001/2	25-10	1	1
218-12-1300-001-2	25-10	1	1
218-12-1400-1	25-10	1	
218-12-1400-2	25-10		1
218-12-2016-1	11-30	1	
218-12-2017-1	11-30	1	
218-12-2018-1	11-30	1	
218-12-2024-1	11-30	1	
218-12-2026-1	11-30	1	
218-12-2040-1	11-20	1	
218-12-2042-1	11-20	1	1
218-12-2044-1	11-20	1	1
218-12-2046-1	11-20	1	1
218-12-2048-1	11-20	1	
218-12-2070-1	11-20	1	1
218-12-2071-1	11-20	1	1
218-12-2072-1	11-20	1	1
218-12-2073-1	11-20	1	
218-12-2074-1	11-20	1	1
218-12-2075-1/2	11-20	1	1
218-12-2076-1	11-20	1	1
218-12-2077-1	11-20	1	1
218-12-2078-1	11-20	1	
218-12-2079-1	11-20	1	
218-12-2080-1	11-20	1	
218-12-2081-1	11-20	1	
218-12-2082-1	11-20	1	
218-12-2083-1	11-20	1	
218-12-2084-1	11-30	1	
218-12-2085-1	11-30	1	

Ed. 1 Rev. 0

P/N	CH-SE	Q.TY	
		LH	RH
218-12-2086-1	11-30	1	
218-12-2087-1	11-30	1	
218-12-2088-1	11-30	1	
218-12-2089-1	11-30	1	
218-12-2090-1	11-30	1	
218-12-2091-1	11-30	1	
218-12-2102-1	11-20	1	
21-9-310-002	27-50		1
21-9-420-000	57-40	1	
22-11-450-002	78-10	1	
22-1-227-3	52-40	1	1
22-12-311-001/2	25-10	1	1
22-2-442-1	25-10	1	1
22-5-710-1	76-10	1	
22-5-710-2	76-10		1
22-5-710-3	76-10	1	
22-5-710-5	76-10	1	
22-9-140-1	28-20	2	
22-9-195-1	79-20	2	
24-5-500-2	27-40	1	1
24-7-101-1	55-10	5	5
24-7-101-2	55-10	1	1
24-7-103-1	55-10	2	2
24-7-104-1	55-10	1	1
24-7-106-1	55-10	1	1
24-7-108-1	55-10	2	2
24-7-109-1	55-10	2	2
24-7-110-1	55-10	1	1
24-7-112-1	55-10	1	1
24-7-113-1	55-10	1	1
24-7-116-1	55-10	1	1
24-7-120-1	55-10	2	2
24-7-300-1	55-10	1	1
24-9-920-1	24-60	1	
26-2-1057-2	27-10	1	1
26-2-1908-1	27-20	4	4
26-2-1914-2	27-20	2	2
26-7-1556-1	75-20	1	

P/N	CH-SE	Q.TY	
		LH	RH
26-9-3002-1	76-10		1
26-9-3008-1	76-10	1	
26-9-3008-3	76-10	1	
26-9-3009-1	76-10	3	
27-1-104-1	57-10	1	
27-1-104-2	57-10	1	
27-1-104-3	57-10	1	
27-1-104-4	57-10	1	
27-1-107-1	57-10	1	
27-1-107-2	57-10	1	
27-1-108-1	57-10	4	
27-1-108-2	57-10	4	
27-1-110-001	57-10	1	
27-1-110-002	57-10	1	
27-1-130-000	57-10	1	1
27-1-130-1	57-10	2	
27-1-140-1	57-10	1	
27-1-140-2	57-10	1	
27-1-201-001/2	57-50	1	1
27-1-203-1/2	57-50	1	1
27-1-203-3/4	57-50	1	1
27-1-204-1	57-50	1	1
27-1-204-2	57-50	1	1
27-1-205-1/2	57-50	1	1
27-1-207-1/2	57-50	1	1
27-1-207-3/4	57-50	1	1
27-1-210-001	57-10	1	
27-1-210-002	57-10	1	
27-1-220-001/2	57-60	1	1
27-1-221-1/2	57-60	1	1
27-1-222-1/2	57-60	1	1
27-1-223-1/2	57-60	1	1
27-1-310-001	57-10	1	
27-1-310-002	57-10	1	
27-1-401-1/2	57-50	1	1
27-1-402-1/2	57-50	1	1
27-1-404-1/2	57-50	1	1
27-1-406-1	57-50	1	1

P/N	CH-SE	Q.TY	
		LH	RH
27-1-701-1	57-10	2	
27-1-701-2	57-10	2	
27-1-705-1	57-10	1	
27-1-705-2	57-10	1	
27-1-706-1	57-10	1	1
27-1-707-1	57-10	1	
27-1-707-2	57-10	1	
27-1-709-1	57-10	1	1
27-5-190-001	27-20	1	
27-5-190-002	27-20		1
27-8-410-1/2	32-10	1	1
27-8-420-1	32-20	1	
28-10-1010-1	61-10	1	
28-10-1028-1	61-10	1	
28-10-2020-1	24-60	1	
28-11-1106-1	57-50	1	1
28-1-1505-000	57-40	1	1
28-12-1010-1	25-10	1	
28-12-1026-000	25-10	1	1
28-12-1092-1/2	57-40	1	1
28-12-1101-1	21-40	1	
28-12-3020-001/2	25-10	1	1
28-12-6008-1	52-10	2	
28-12-6037-1	31-10	1	
28-12-6037-1	11-30	1	
28-2-1061-001	52-10	2	
28-2-1061-002	52-10		2
28-2-1242-000	53-10	1	
28-2-1440-1	53-10	1	
28-2-1440-2	53-10	1	
28-2-1465-2	52-10	1	1
28-2-1465-3	52-10	1	1
28-2-1500-4	52-10	2	
28-2-1500-6	52-10	2	
28-2-2022-1	53-10	9	
28-5-1001-001	27-20	1	
28-5-1010-1	27-20	2	2
28-5-2500-000	*27-10	1	

P/N	CH-SE	Q.TY	
		LH	RH
28-5-2500-000	27-40	1	
28-5-3000-000	27-40	1	
28-5-3070-000	27-40	1	
28-5-3450-000	27-30	1	
28-5-3465-1	27-30	1	
28-5-4017-1	*27-10	1	1
28-5-4030-2	27-40	2	
28-6-1010-1	55-40	1	
28-6-1020-1	55-40	1	
28-6-1024-1	55-40	1	
28-6-1026-1	55-40	1	
28-6-1028-1	55-40	1	
28-6-1040-1	55-40	1	
28-6-1041-1	55-40	1	
28-6-1050-1/2	55-40	1	1
28-6-1050-3	55-40	1	
28-6-1064-1	55-40	1	
28-6-1064-2	55-40	1	
28-6-1064-3	55-40	1	
28-6-1074-1	55-40	1	
28-6-1076-1	55-40	1	
28-6-1240-1	55-40	1	
28-6-1241-1	27-20	1	1
28-6-1241-1	55-40	1	1
28-7-1000-001/2	55-10	1	1
28-7-1140-1/2	55-10	1	1
28-7-1140-3/4	55-10	1	1
28-7-1146-1/2	55-10	1	1
28-7-1148-1	55-10	2	2
28-8-1116-1/2	32-10	1	1
28-8-1134-1	32-10	1	1
28-8-710-1	32-10	1	1
28-9-1658-000	76-10	1	
28-9-1721-002	71-70	1	
28-9-2012-000	34-10	1	
28-9-4048-1	76-10	1	
28-9-4048-2	76-10	1	
28-9-5009-1	79-10	1	

P/N	CH-SE	Q.TY	
		LH	RH
28-9-5084-1	34-20	1	
28-9-5084-2	34-20	1	
28-9-5101-000	24-60	1	
28-9-5107-1	24-60	1	
28-9-6109-1	21-40	1	
28-9-6120-001	21-40	1	
92-1-103-2	57-10	2	2
92-1-104-2	57-10	1	
92-1-104-3	57-10	1	
92-1-109-1	57-10	7	
92-1-109-2	57-10	7	
92-1-110-1	57-10	1	
92-1-110-2	57-10	1	
92-1-112-001	27-10	1	
92-1-112-002	27-10		1
92-1-112-3	27-10	2	2
92-1-115-1	57-10	1	
92-1-115-2	57-10	1	
92-1-116-1	57-10	1	
92-1-116-2	57-10	1	
92-1-117-2	57-10	4	4
92-1-118-1	57-10	1	1
92-1-119-1	52-40	1	1
92-1-119-1	57-10	1	1
92-11-750-001	78-10	1	
92-11-750-003	78-10	1	
92-11-750-005	78-10		1
92-11-750-006	78-10		1
92-11-771-1	61-10	6	
92-11-880-000	75-20	1	
92-11-908-4	79-20	4	
92-11-912-1	71-20	1	
92-11-912-2	71-20	1	
92-11-912-3	71-20	6	
92-11-912-4	71-20	2	
92-11-928-1	61-10	1	
92-11-990-2	79-20	2	
92-11-990-5	79-20	4	

P/N	CH-SE	Q.TY	
		LH	RH
92-11-990-6	79-20	1	
92-11-991-2	28-20	1	
92-1-200-3/4	57-40	1	1
92-12-301-1	32-10	1	1
92-12-301-6	32-10	1	1
92-12-502-5	25-10	1	1
92-12-502-6	25-10	1	1
92-1-300-1/2	57-40	6	6
92-1-402-1	57-50	5	5
92-1-402-1	57-60	5	5
92-1-403-1	57-60	2	2
92-1-405-1	27-10	1	1
92-1-405-1	57-60	1	1
92-1-406-1	57-60	4	4
92-1-407-1	57-60	2	2
92-1-407-2	57-60	2	2
92-1-409-2	55-40	1	
92-1-409-2	57-60	1	
92-1-410-1/2	57-60	1	1
92-1-410-3/4	57-50	1	1
92-1-410-3/4	57-60	1	1
92-1-410-5/6	57-50	1	1
92-1-414-1	57-60	1	1
92-1-414-2	57-60	1	1
92-1-701-3	57-10	2	
92-1-701-4	57-10	2	
92-1-702-1	57-10	1	1
92-1-702-2	57-10	1	1
92-1-703-1	57-10	2	2
92-1-705-2	57-10	1	1
92-1-705-3	57-10	1	1
92-1-705-4	57-10	3	3
92-1-706-1	57-10	2	2
92-1-706-2	57-10	2	2
92-1-707-3	57-10	1	
92-1-707-4	57-10	1	
92-1-708-1	57-10	2	2
92-1-708-2	57-10	1	1

P/N	CH-SE	Q.TY	
		LH	RH
92-1-708-3	57-10	2	2
92-1-708-4	57-10	1	1
92-1-710-1	57-10	1	
92-1-710-2	57-10	1	
92-1-711-1	57-10	1	1
92-1-711-2	57-10	1	1
92-1-712-1	57-10	1	
92-1-712-2	57-10	1	
92-1-712-3	57-10	1	
92-1-712-4	57-10	1	
92-1-714-1	57-10	1	1
92-1-714-2	57-10	1	1
92-2-850-4	27-40	1	1
92-3-530-3	57-10	2	
92-3-530-3	57-10	2	
92-3-531-1	27-40	2	2
92-3-531-1	57-10	4	
92-3-531-1	57-10	4	
92-4-200-000	27-40	1	1
92-4-300-000	27-10	1	1
92-4-300-000	27-40	1	1
92-5-310-7	27-20	2	2
92-5-901-1	27-10	1	1
92-5-903-1	27-10	1	1
92-5-903-1	27-20	2	2
92-5-903-1	32-40	4	
92-5-905-1	55-10	1	
92-5-910-1	76-10	1	
92-7-109-1	55-10	2	2
92-7-111-1	55-10	1	
92-7-200-2	55-10	1	1
92-7-201-1	55-10	1	1
92-7-202-1	55-10	2	2
92-7-202-2	55-10	2	2
92-7-202-3	55-10	2	2
92-7-203-1	55-10	1	1
92-7-203-2	55-10	1	1
92-7-303-2	27-20	2	2

P/N	CH-SE	Q.TY	
		LH	RH
92-7-303-2	52-10	2	
92-7-400-000	55-10	1	
92-8-100-000	32-20	1	
92-8-120-001/2	32-20	1	1
92-8-130-2	32-20	1	1
92-8-130-5	32-20	1	1
92-8-150-000	32-20	1	
92-8-152-3	32-20	2	
92-8-156-1	32-20	4	
92-8-200-000	32-20	1	
92-8-200-1	32-20	7	
92-8-205-1	32-10	1	1
92-8-206-3	32-10	1	1
92-8-210-1	32-20	1	
92-8-210-2	32-20	1	
92-8-210-3	32-20	2	
92-8-220-000	32-20	1	
92-8-230-000	32-20	1	
92-8-230-1	32-20	2	
92-8-240-3	32-20	2	2
92-8-240-4	32-20	1	
92-8-240-7	32-20	1	
92-8-240-8	32-20	4	
92-8-242-1	32-20	1	
92-8-420-3	32-20	1	
92-8-420-4	32-20	1	
92-8-460-1	32-20	1	
92-9-247-1	75-20	1	
92-9-340-1	27-30	1	
92-9-402-2	28-20	1	
92-9-402-3	28-20	1	
92-9-902-1	25-10	4	4
92-9-903-1	34-10	1	1
92-9-917-1	27-20	1	1
92-9-917-1	27-50	1	1
92-9-917-1	27-10	3	3
92-9-920-000	34-10	1	
92-9-920-000	57-40	1	



ILLUSTRATED PARTS CATALOGUE



Ed. 1 Rev. 0

P/N	CH-SE	Q.TY	
		LH	RH
92-9-982-1	71-70	1	
96-1-142-3	57-10	2	2
96-1-142-6	57-10	2	2
96-11-910-000	61-10	1	
96-12-503-5	25-10	1	1
96-1-310-1	57-60		1
96-1-310-2	57-60	1	
96-1-310-3	57-60	1	1
96-1-610-1	28-40	1	1
96-1-610-2	28-40	1	1



ILLUSTRATED PARTS CATALOGUE



Ed. 1 Rev. 0

ATA 11 PLACARDS AND MARKINGS



ILLUSTRATED PARTS CATALOGUE



Ed. 1 Rev. 0

11. PLACARDS AND MARKINGS

-10. EXTERIOR PLACARDS AND MARKINGS	3
-30. INTERIOR PLACARDS.....	15



ILLUSTRATED PARTS CATALOGUE



Ed. 1 Rev. 0

EXTERIOR PLACARDS AND MARKINGS

Ed. 1 Rev. 0

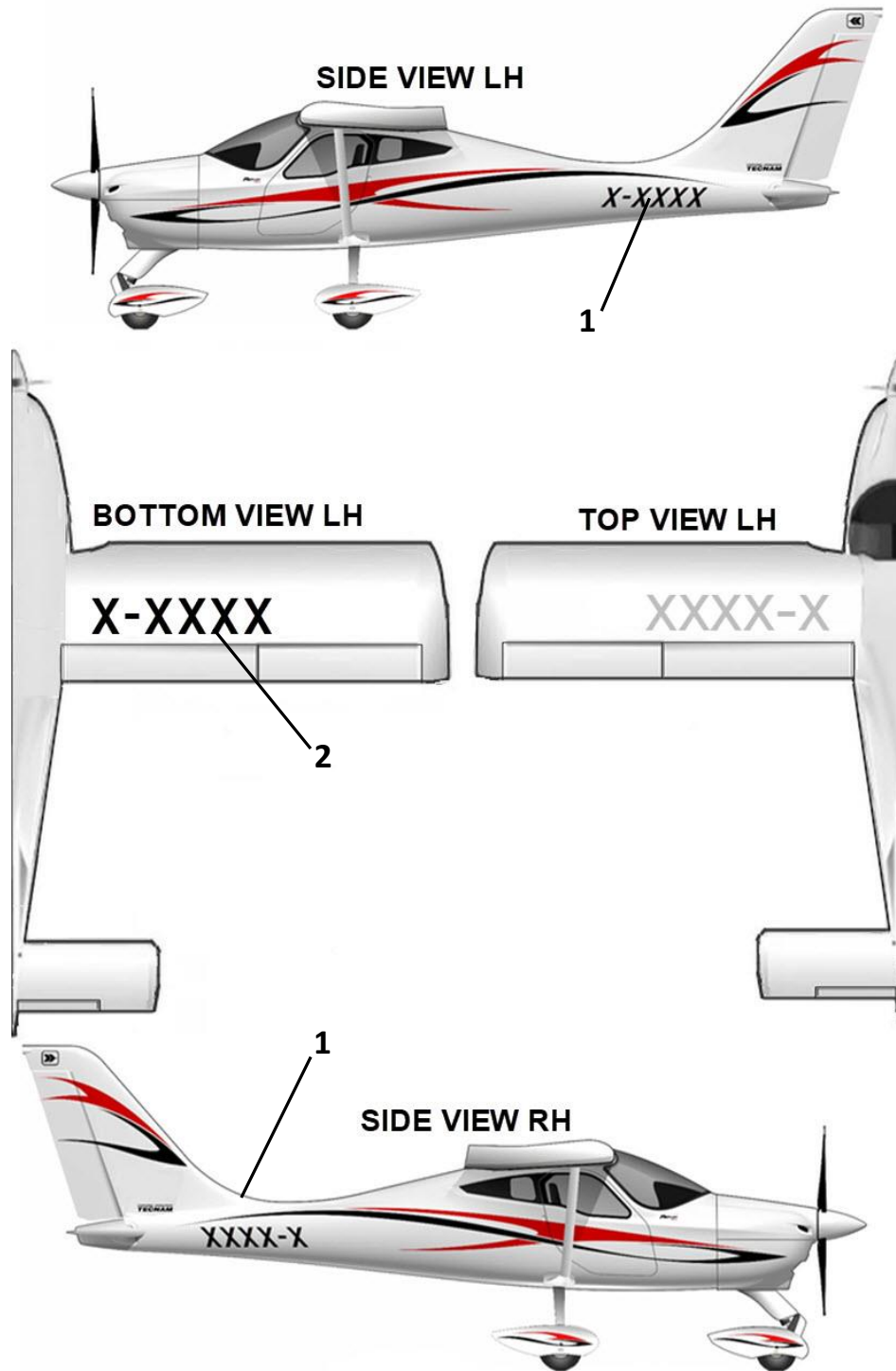


Figure 1 - Tail cone / Wing Registration Marks

Ed. 1 Rev. 0

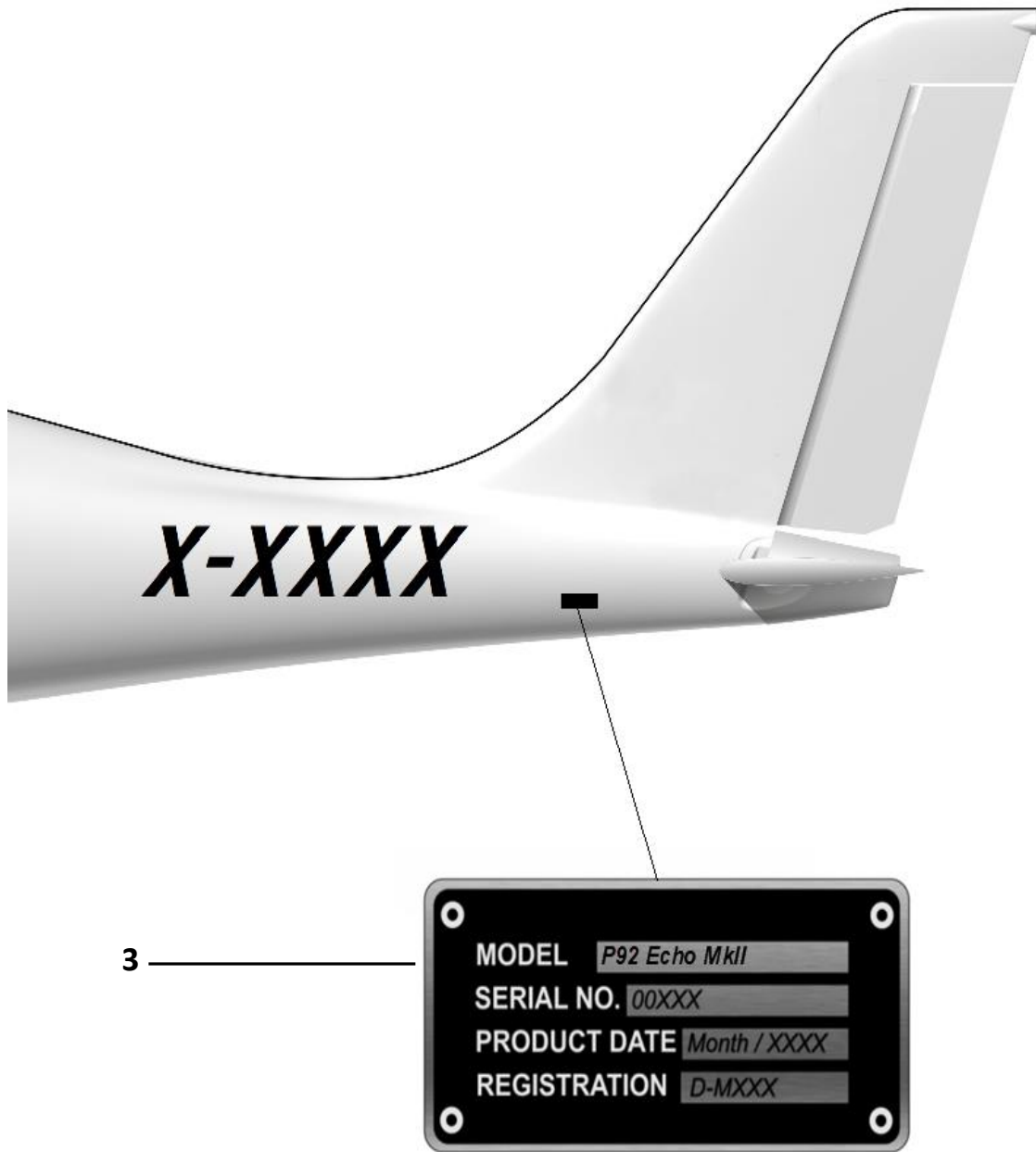


Figure 2 - Identification Marks

**ILLUSTRATED PARTS
CATALOGUE***Ag2 Echo
MK2*

Ed. 1 Rev. 0

FIG.ITEM		P/N	DESCRIPTION	S/N	Q.ty LH RH	
	1	218-12-2072-1	TAIL CONE REGISTRATION MARK		1	1
	2	218-12-2073-1	WING REGISTRATION MARK		1	
	3	218-12-2102-1	AIRCRAFT TYPE CERTIFICATE PLACATE		1	

Ed. 1 Rev. 0

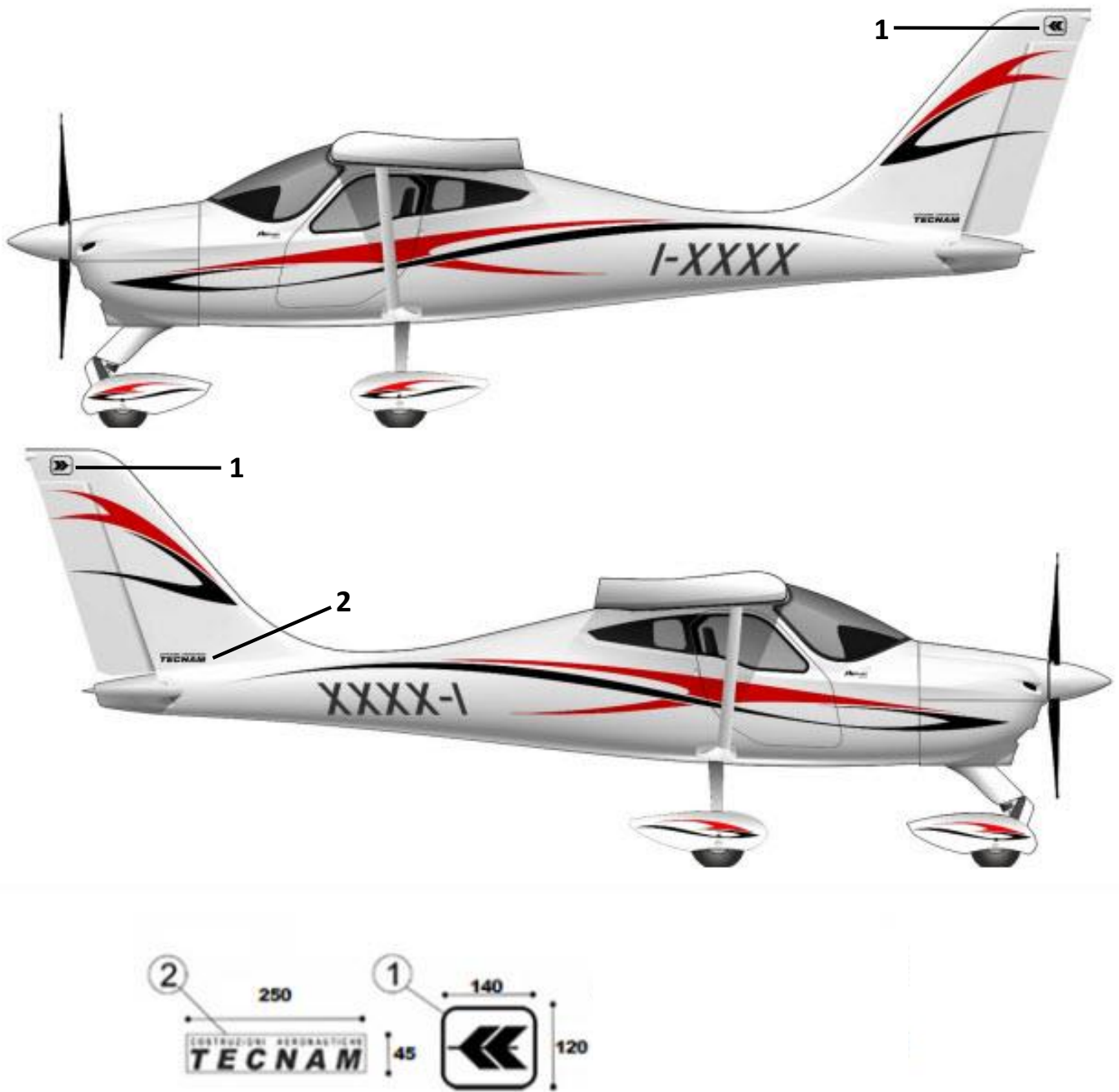


Figure 3 - External placards and painting

Ed. 1 Rev. 0

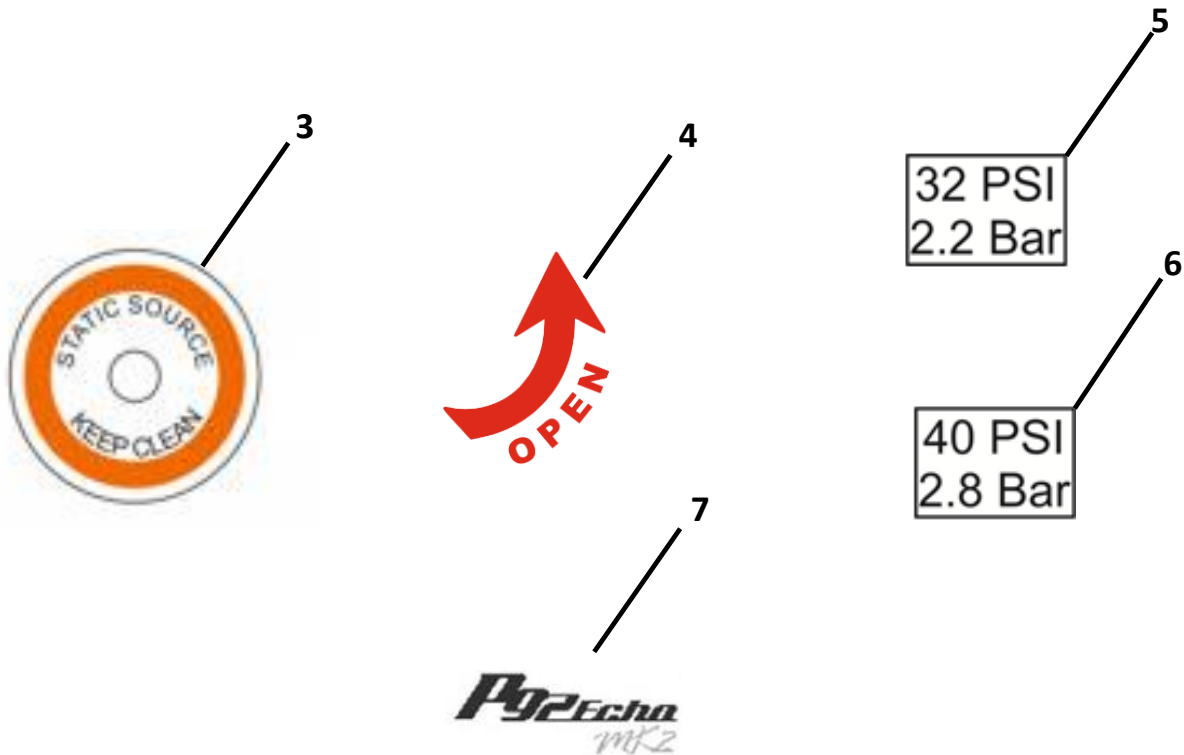
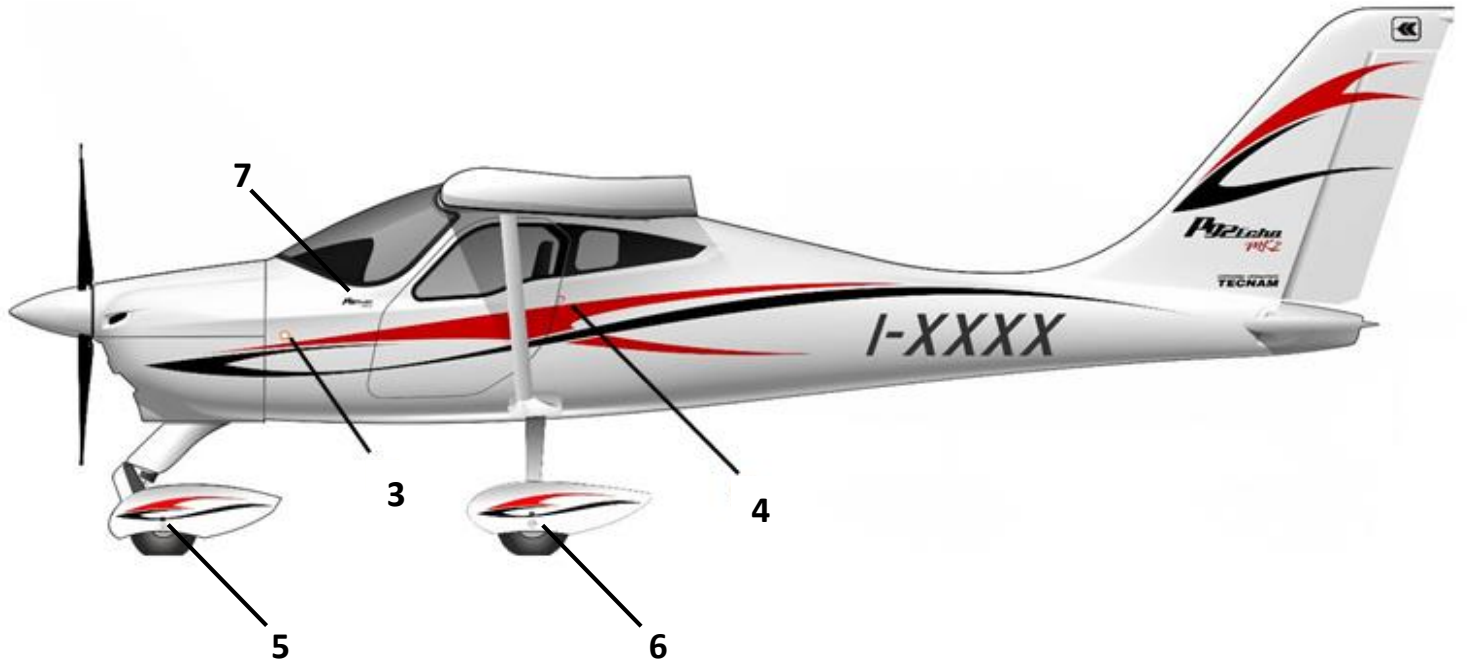


Figure 4 - External placards (sheet 1)

Ed. 1 Rev. 0

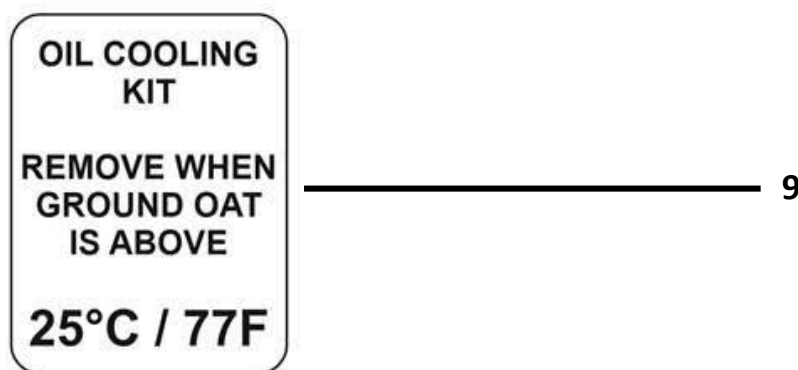
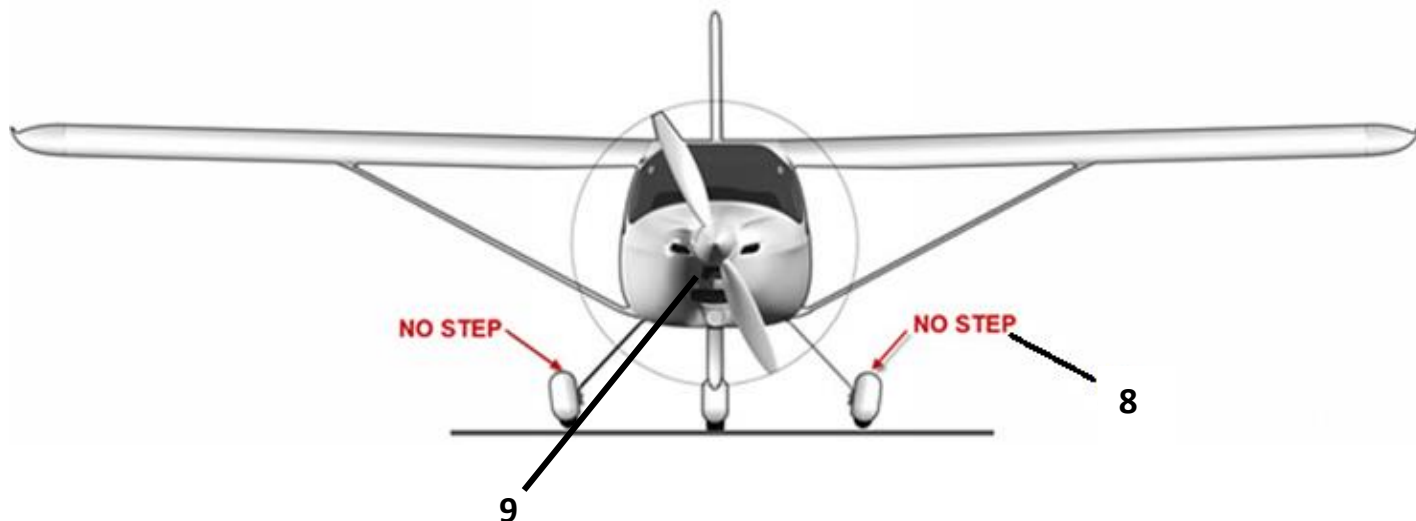


Figure 5 - External placards (sheet 2)

Ed. 1 Rev. 0

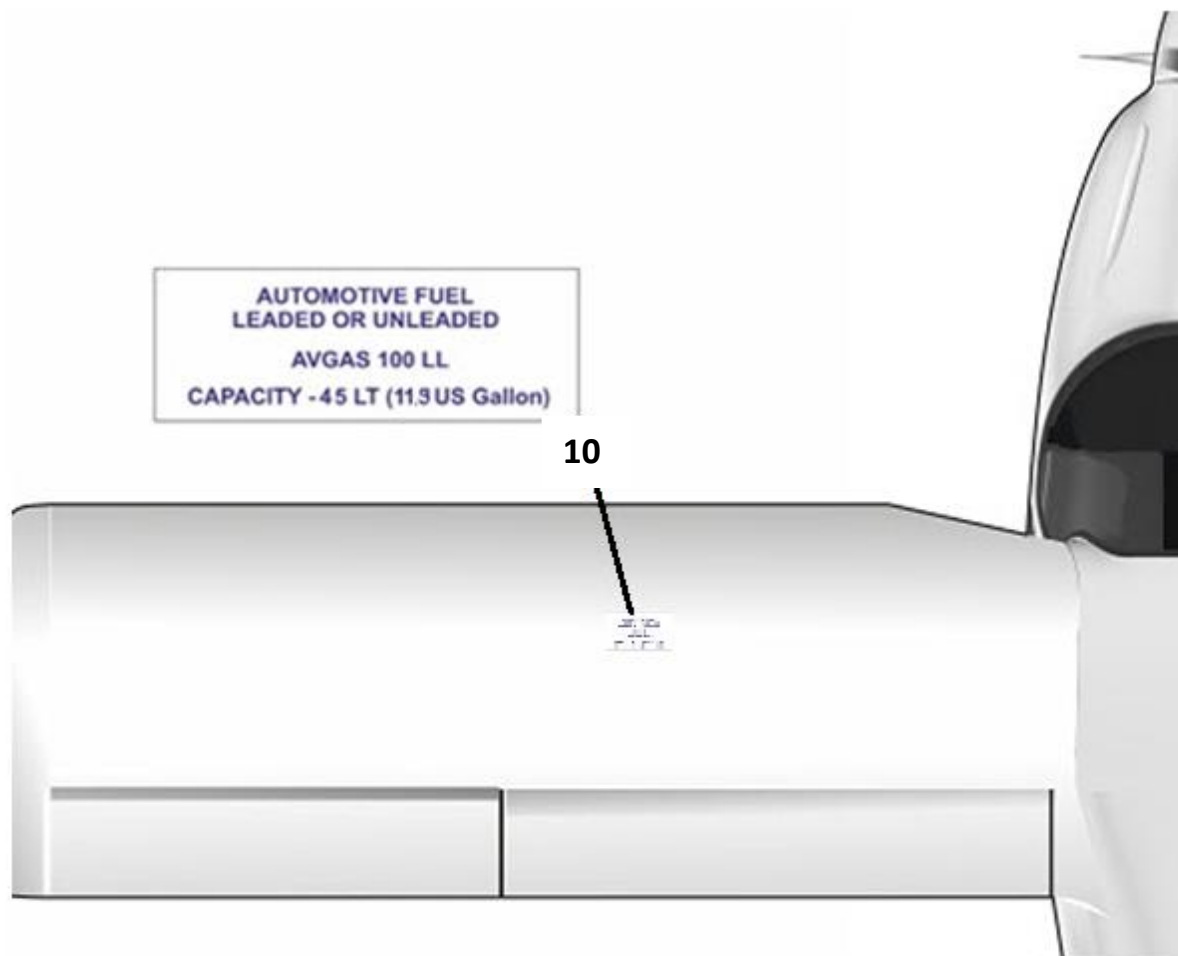


Figure 6 - External placards (sheet 3)

Ed. 1 Rev. 0

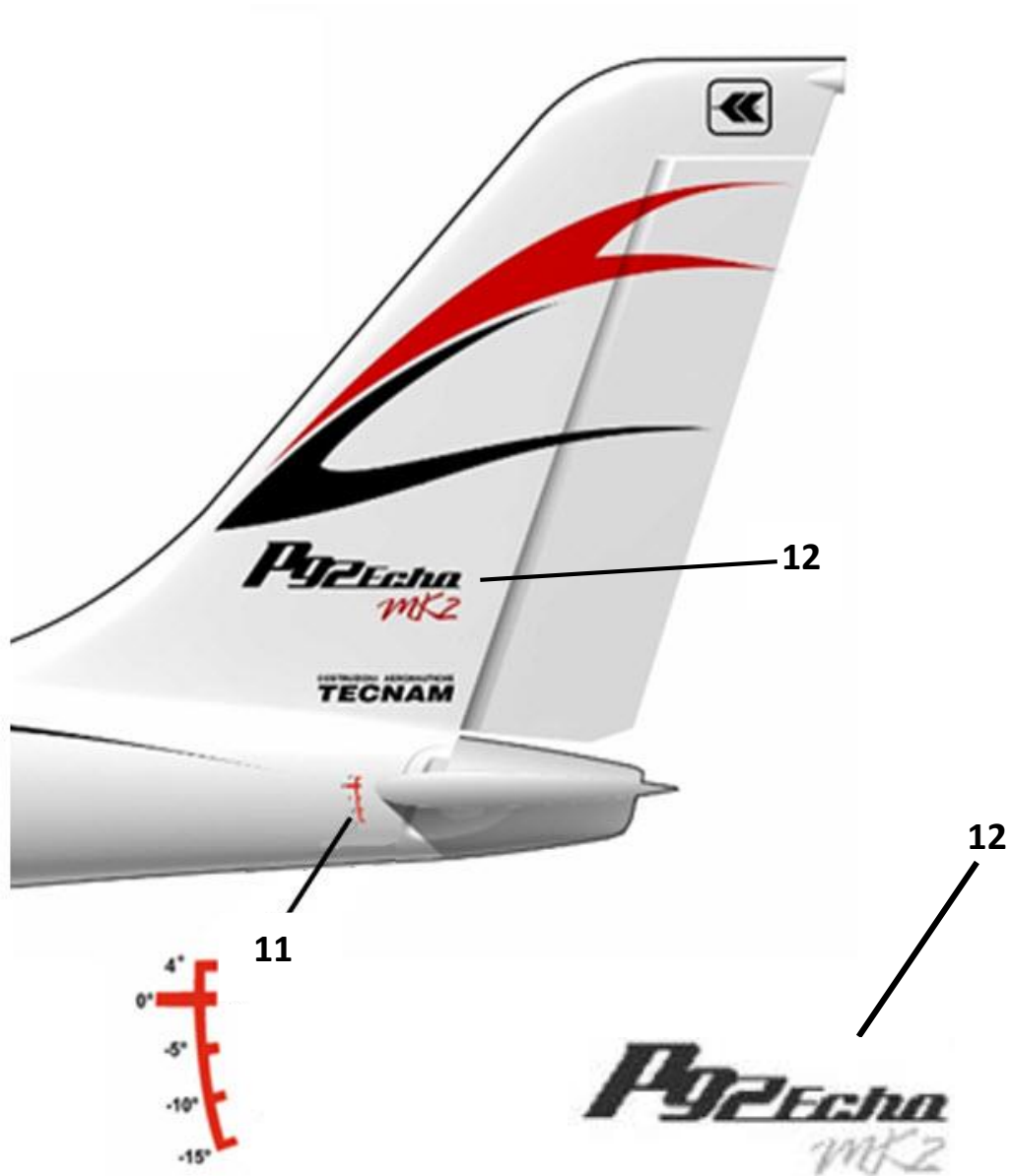


Figure 7 - External placards (sheet 4)

Ed. 1 Rev. 0



COOLANT — 13

80% ANTIFREEZE
+
20% WATER — 14



Oil Brakes - MIL-PRF-5606H — 15



AUTOMOTIVE OIL
CAPACITY 3.5 LT — 16

AUTOMOTIVE OIL
API "SF" OR "SG" — 17

Figure 8 - Maintenance placards

Ed. 1 Rev. 0

FIG.ITEM		P/N	DESCRIPTION	S/N	Q.ty LH RH	
1		218-12-2070-1	FACTORY LOGO PLACARD		1	1
2		218-12-2071-1	FACTORY NAME PLACARD		1	1
3		218-12-2074-1	STATIC SOURCE		1	1
4		218-12-2075-1/2	OPEN DOOR PLACARD		1	1
5		218-12-2040-1	NLG PRESSURE PLACARD		1	
6		218-12-2042-1	MLG PRESSURE PLACARD		1	1
7		218-12-2044-1	AIRCRAFT TYPE P92 ECHO MKII		1	1
8		218-12-2076-1	NO STEP PACARD		1	1
9		218-12-2048-1	RADIATOR AIR INTAKE PLACARD		1	
10		218-12-2077-1	FUEL INFORMATION		1	1
11		218-12-2078-1	STABILATOR EXCURSION DEGREE PLACARD		1	
12		218-12-2046-1	AIRCRAFT TYPE P92 ECHO MKII		1	1
13		218-12-2079-1	COOLANT PLACARD		1	
14		218-12-2080-1	COOLANT MIXTURE PLACARD		1	
15		218-12-2081-1	BRAKE OIL PLACARD		1	
16		218-12-2082-1	OIL QUANTITY PLACARD		1	
17		218-12-2083-1	OIL TYPE PLACARD		1	



ILLUSTRATED PARTS CATALOGUE



Ed. 1 Rev. 0

INTENTIONALLY LEFT BLANK



ILLUSTRATED PARTS CATALOGUE



Ed. 1 Rev. 0

INTERIOR PLACARDS

Ed. 1 Rev. 0



Figure 9 - Cockpit placards

Ed. 1 Rev. 0

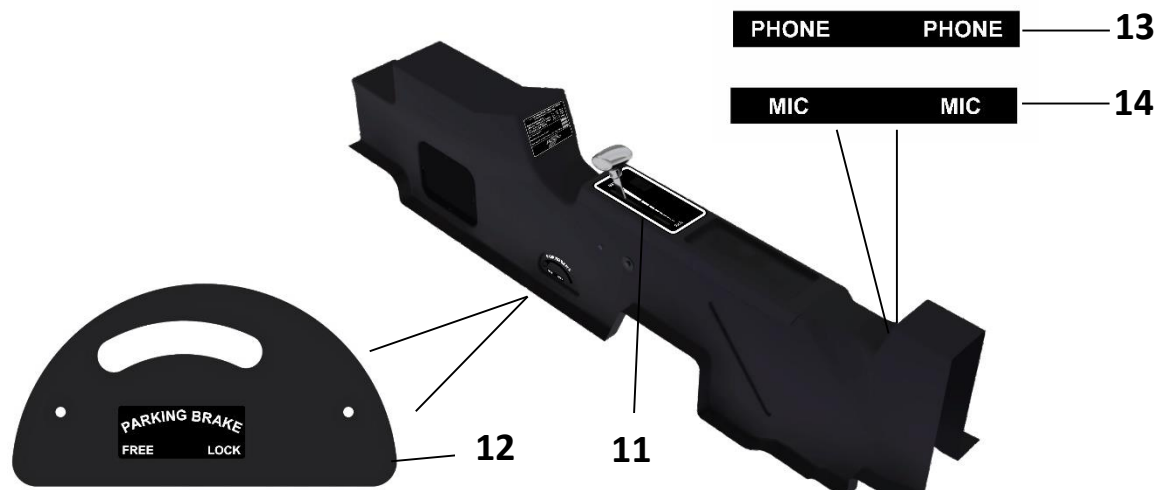


Figure 10 - Central pedestal placards left side

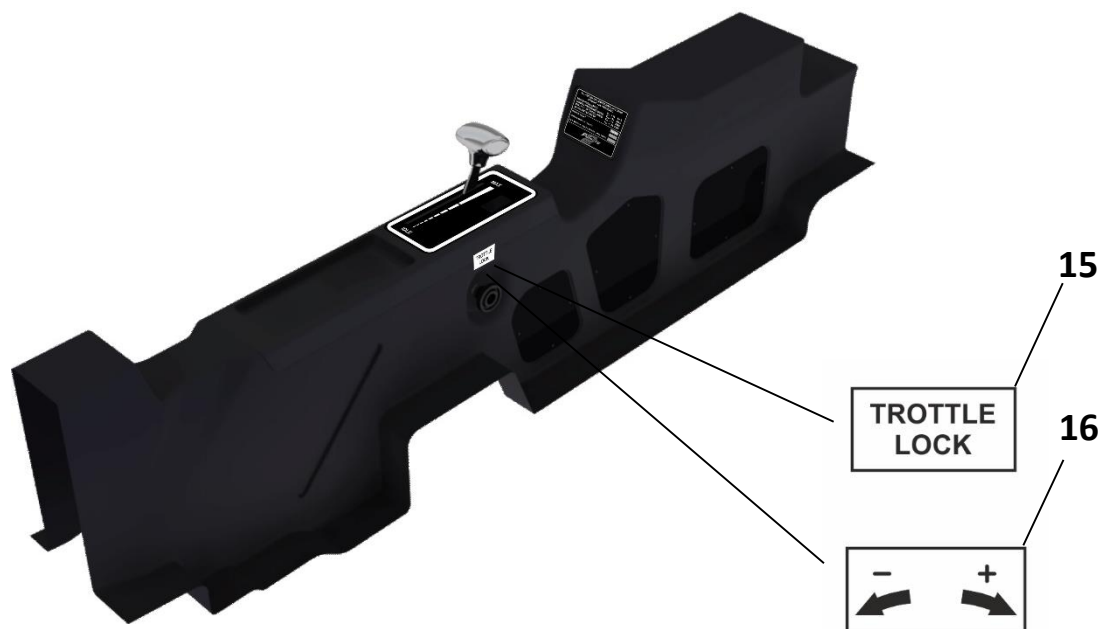


Figure 11 - Central pedestal placards right side

Ed. 1 Rev. 0

17 — **D
TRIM
U**



Figure 12 - Cloche placard



18

TIE-DOWN HARNESS
MAX WEIGHT 20kg [44 lbs]

DO NOT PLACE SHARP
OBJECTS ON THE FLOOR

19



Figure 13 - Baggage compartment placards

FIG.ITEM		P/N	DESCRIPTION	S/N	Q.ty LH RH
1		218-12-1114-000	USB PLACARD		1
2		218-12-1108-1	LH LOWER PANEL		1
3		218-12-2024-1	CHOKE PUSH BUTTON PLACARD		1
4		218-12-2016-1	SPEED AND LIMITATION PLACARD DULV KTS		1
		218-12-2017-1	SPEED AND LIMITATION PLACARD DULV KM/H		1
		218-12-2018-1	SPEED AND LIMITATION PLACARD LSA		1
5		218-12-1106-002	CENTRAL LOWER PANEL		1
6		218-12-2026-1	CABIN HEAT SILICON PLACARD		1
7		218-12-1110-000	RH LOWER PANEL		1
8		218-12-1104-000	BRAKER PANEL		1
9		218-12-1116-000	ANNUNCIATOR PANEL		1
10		218-12-2084-1	MAGNETIC COMPASS COMPENSATION MARKING		1
11		218-12-1040-000	THROTTLE PLACARD		1
12		28-12-6037-1	PARKING BRAKE PANEL		1
13		218-12-2090-1	PHONE PLACARD		1
14		218-12-2091-1	MICROPHONE PLACARD		1
15		218-12-2085-1	TROTTLER FRICTION PLACARD		1
16		218-12-2086-1	TROTTLER FRICTION KNOB PLACARD		1
17		218-12-2087-1	CLOCHE TRIM PLACARD		1
18		218-12-2088-1	BAGGAGE COMPARTMENT PLACARD		1
19		218-12-2089-1	ELT PLACARD		1



ILLUSTRATED PARTS CATALOGUE



Ed. 1 Rev. 0

ATA 21 AIR CONDITIONING



ILLUSTRATED PARTS CATALOGUE



Ed. 1 Rev. 0

21. AIR CONDITIONING

-40. HEATING	3
-50. COOLING.....	7



ILLUSTRATED PARTS CATALOGUE



Ed. 1 Rev. 0

HEATING

Ed. 1 Rev. 0

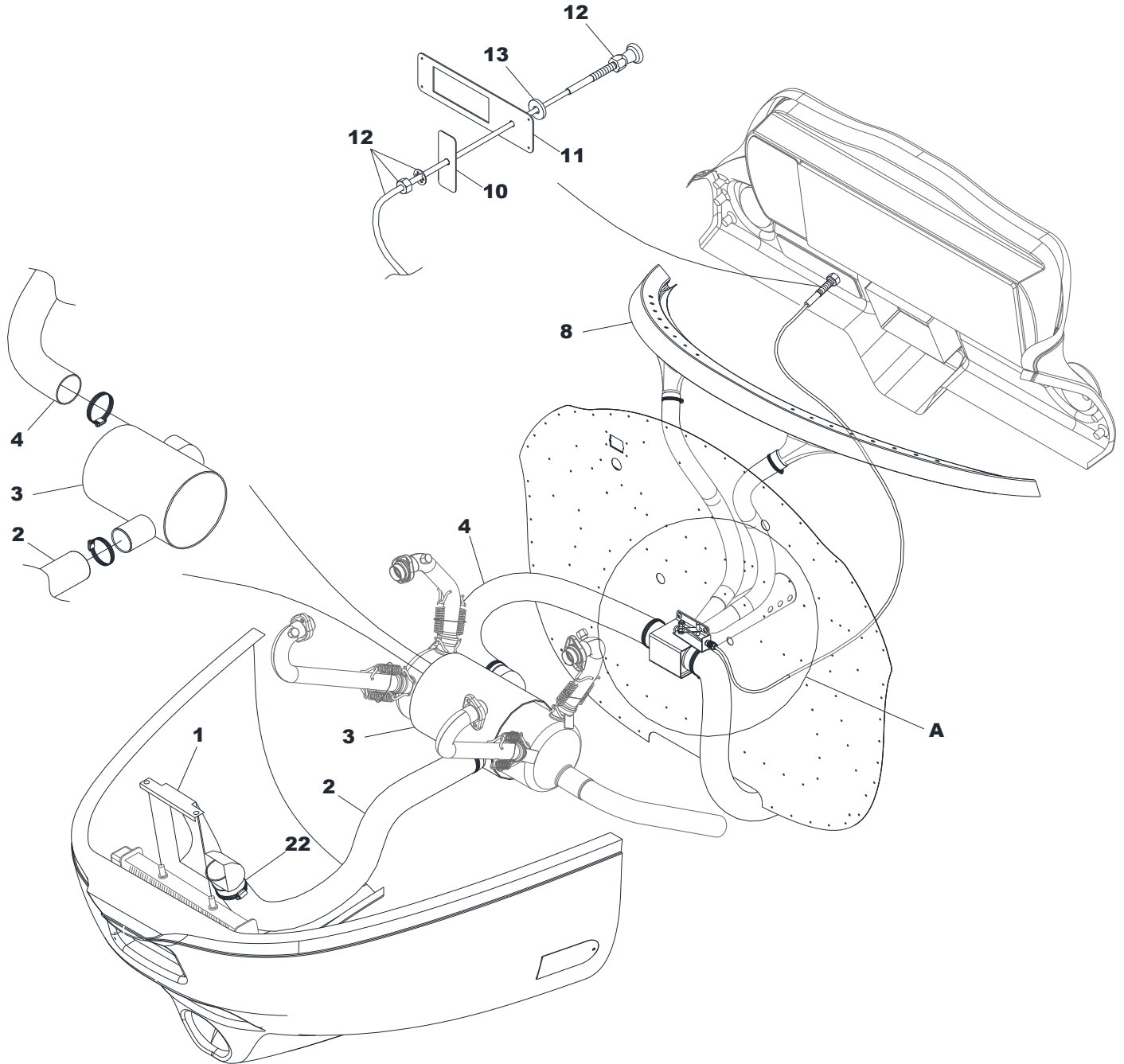


Figure 1 - Heating system

Ed. 1 Rev. 0

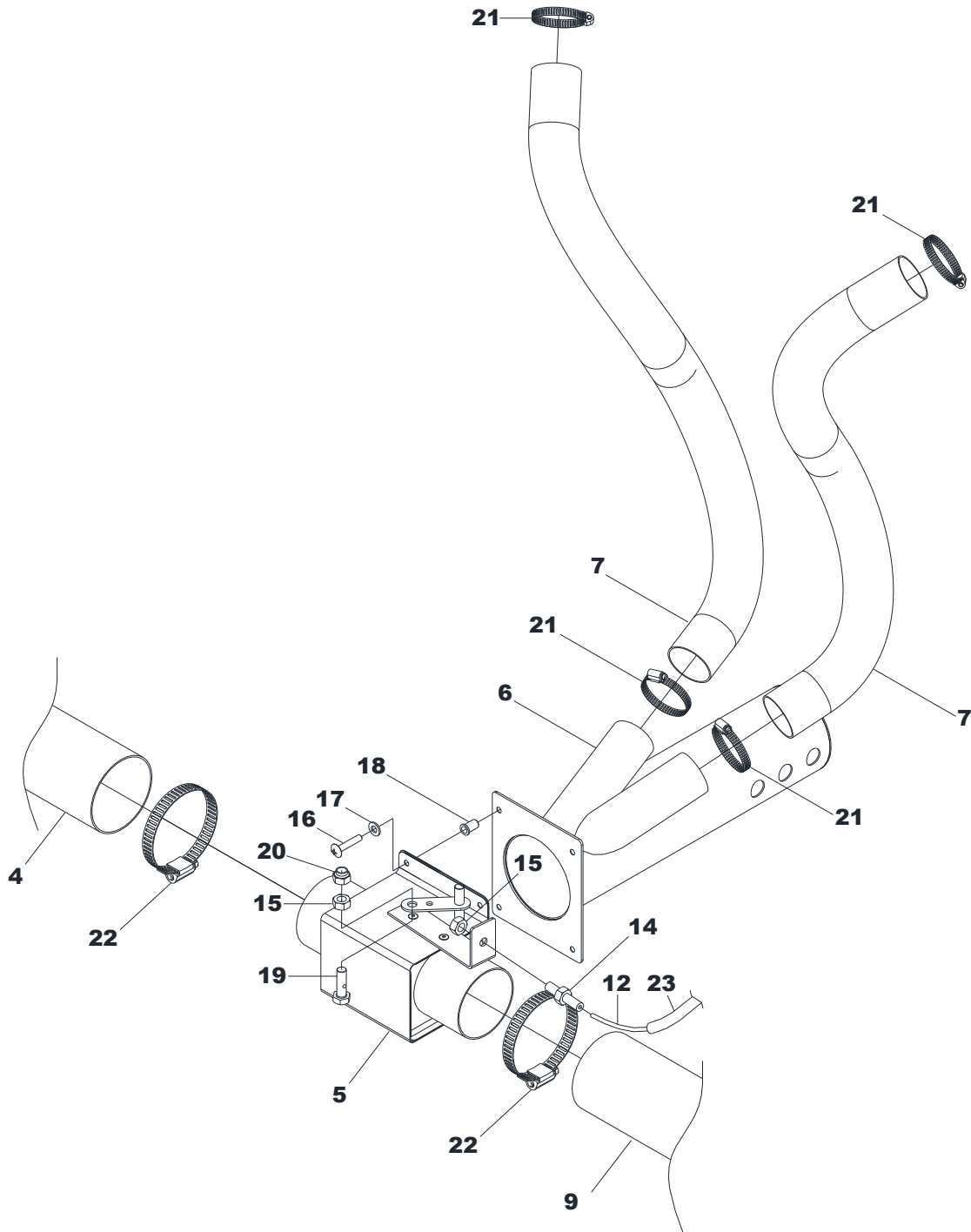


Figure 2 - Hot air valve (Detail A)

Ed. 1 Rev. 0

FIG.ITEM		P/N	DESCRIPTION	S/N	Q.ty LH RH	
	1	218-9-5002-000	AIR INTAKE		1	
	2	218-9-5010-1	RADIATOR TO HEAT EXCHANGER HOSE		1	
	3	218-10-1050-000	HEAT EXCHANGER		1	
	4	218-9-5012-1	HEAT EXCHANGER TO AIR VALVE HOSE		1	
	5	218-9-6100-000	HOT AIR VALVE		1	
	6	28-9-6120-001	HOT AIR DIFFUSER		1	
	7	218-9-5016-1	DEFROST HOSE		1	1
	8	218-2-1018-1	WINDSHIELD FRAME		1	
	9	218-9-5014-1	AIR VALVE TO OUTPUT UNDER COWLING HOSE		1	
	10	28-12-1101-1	BOWDEN CABLE SUPPORT PLATE		1	
	11	218-12-1110-1	LIGHT SWITCH PANEL		1	
	12	05-14200	BOWDEN CABLE		1	
	13	UNI6592-10	WASHER		1	
	14	PIC-M6	CONNECTOR		1	
	15	UNI5588-6	NUT		2	
	16	UNI7687-4-16	SCREW		4	
	17	UNI6592-4	WASHER		4	
	18	UNI9201-4	RIVNUT		4	
	19	28-9-6109-1	DRILLED BOLT		1	
	20	UNI7473-6	STOP NUT		1	
	21	0539-12540	HOSE CLAMP (25-40)		4	
	22	0539-14060	HOSE CLAMP (40-60)		5	
	23	TEC043	SHEATH		1	



ILLUSTRATED PARTS CATALOGUE



Ed. 1 Rev. 0

COOLING

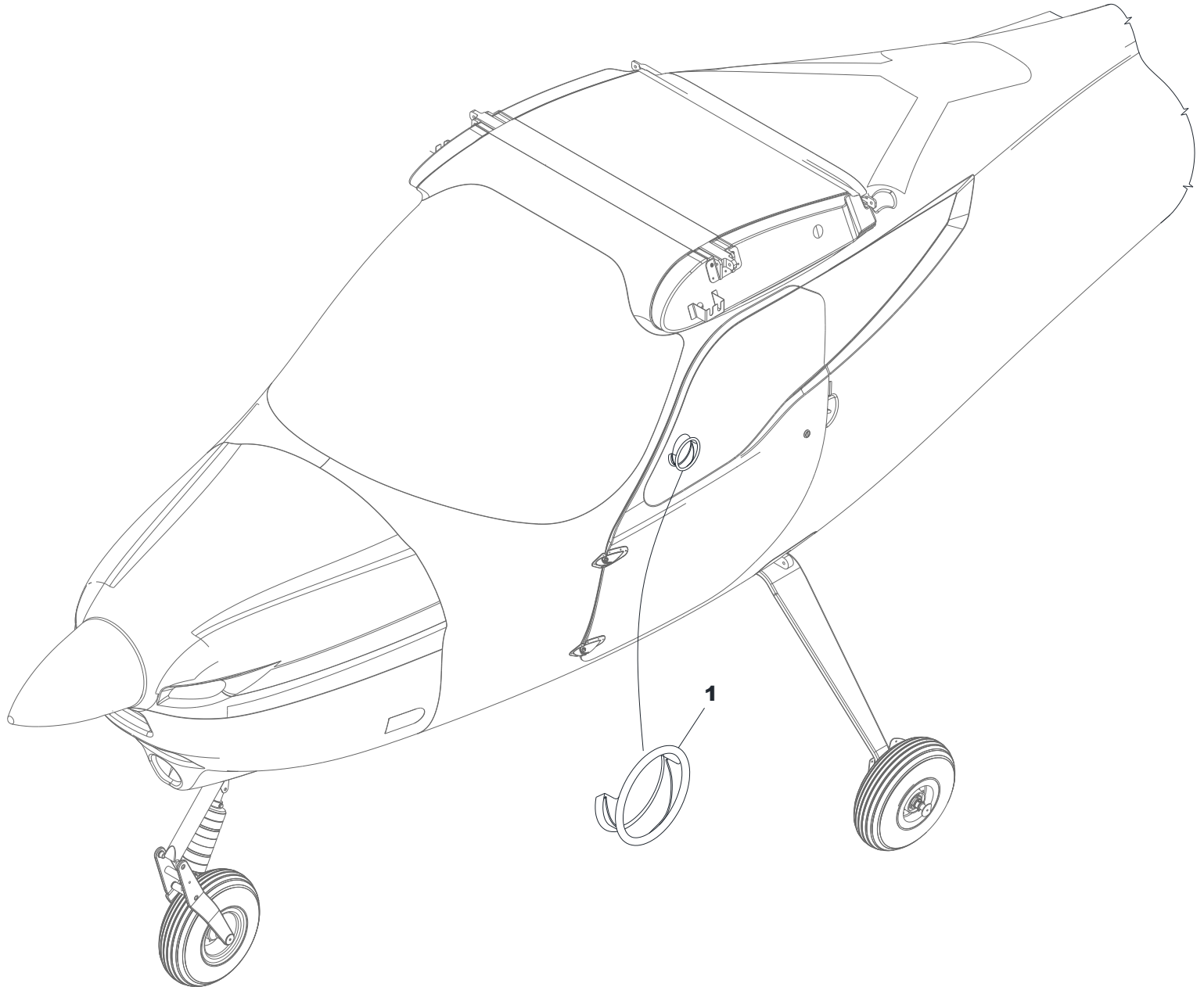


Figure 3 – Cooling window intake



ILLUSTRATED PARTS CATALOGUE



Ed. 1 Rev. 0

FIG.ITEM		P/N	DESCRIPTION	S/N	Q.ty LH RH	
1		CC 325 I	SNAPVENT		1	1



ILLUSTRATED PARTS CATALOGUE



Ed. 1 Rev. 0

INTENTIONALLY LEFT BLANK



ILLUSTRATED PARTS CATALOGUE



Ed. 1 Rev. 0

ATA 23 COMMUNICATIONS



ILLUSTRATED PARTS CATALOGUE



Ed. 1 Rev. 0

23. COMMUNICATIONS

-10. SPEECH COMMUNICATIONS.....	3
-50. AUDIO INTEGRATING.....	7



ILLUSTRATED PARTS CATALOGUE



Ed. 1 Rev. 0

SPEECH COMMUNICATIONS

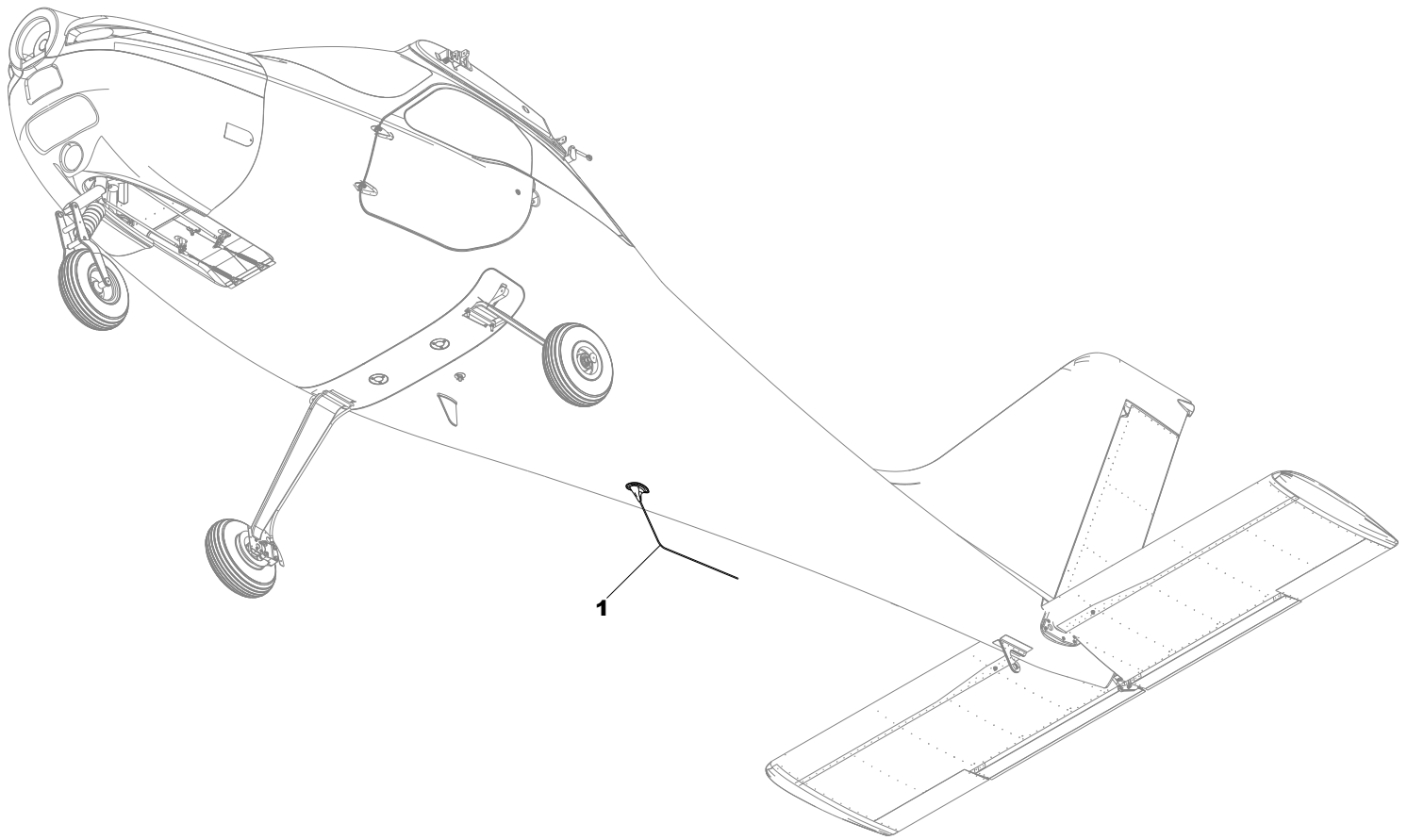


Figure 1 – COMM 1 antenna



ILLUSTRATED PARTS CATALOGUE



Ed. 1 Rev. 0

FIG.ITEM		P/N	DESCRIPTION	S/N	Q.ty LH RH
1		CI-292-2	COMM 2 ANTENNA		1



ILLUSTRATED PARTS CATALOGUE



Ed. 1 Rev. 0

INTENTIONALLY LEFT BLANK



ILLUSTRATED PARTS CATALOGUE



Ed. 1 Rev. 0

AUDIO INTEGRATING

Ed. 1 Rev. 0

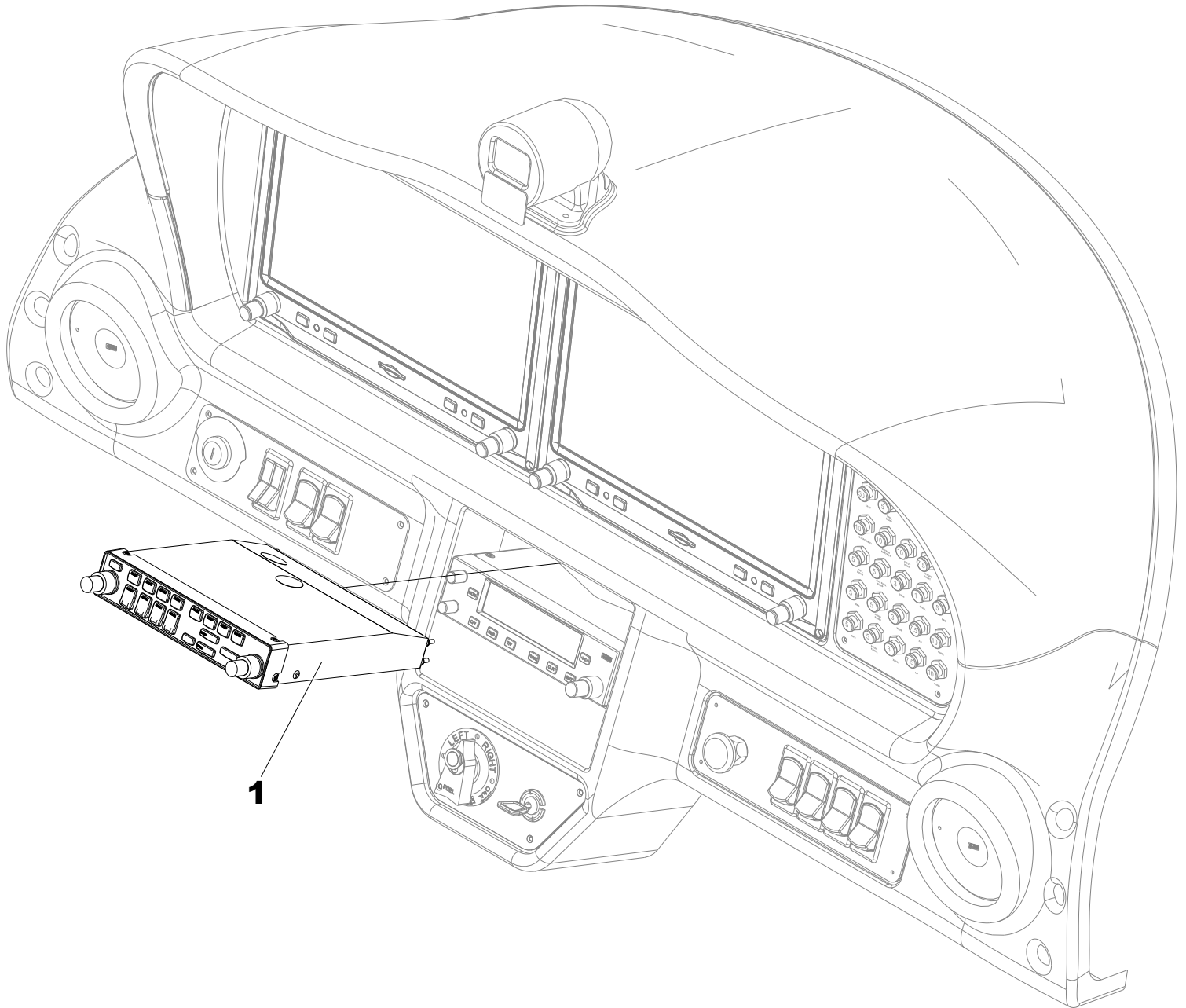


Figure 2 - Audio panel

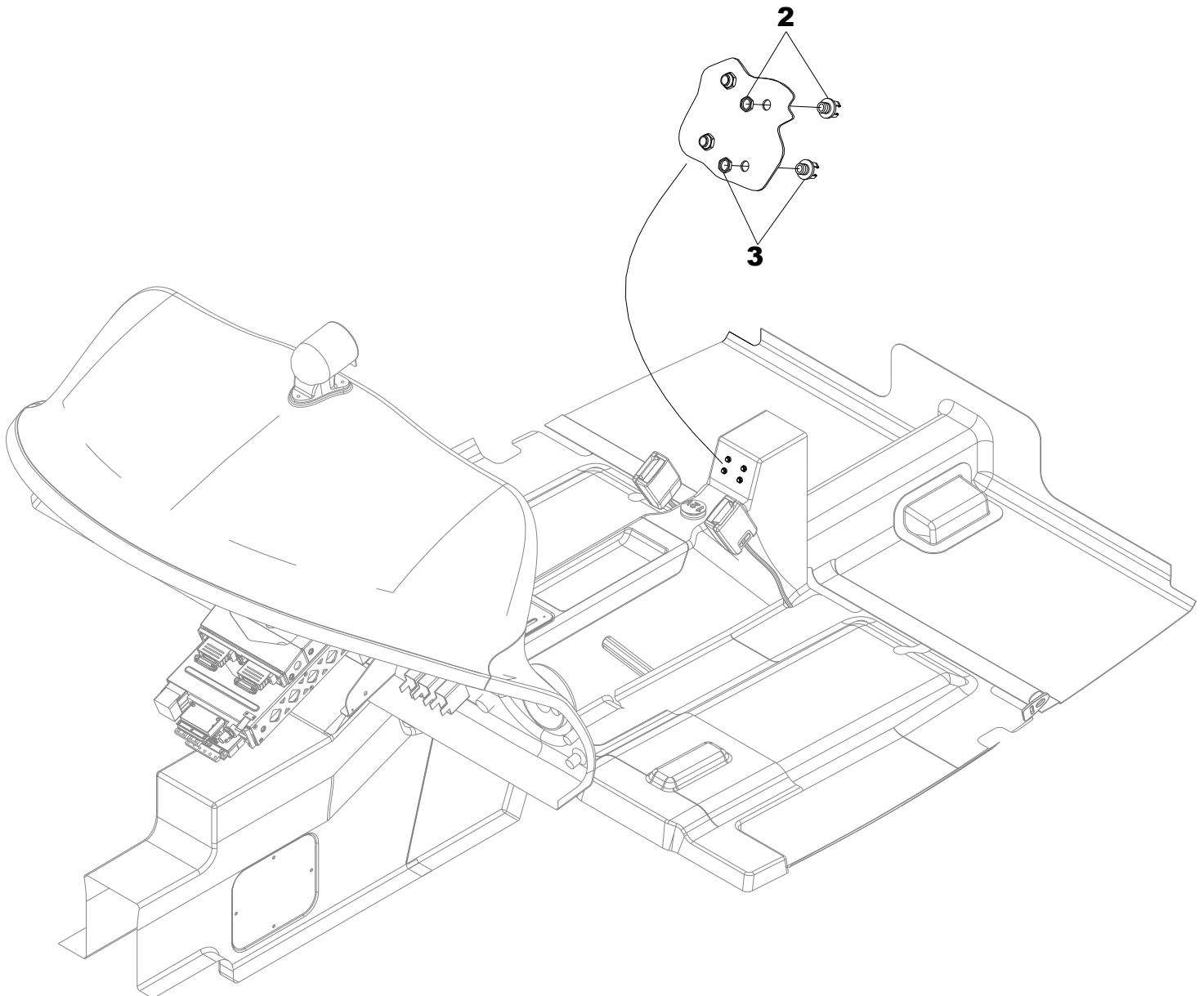


Figure 3 - MIC/PHONE connectors



ILLUSTRATED PARTS CATALOGUE

Ag2Echo
MK2

Ed. 1 Rev. 0

FIG.ITEM		P/N	DESCRIPTION	S/N	Q.ty LH RH
	1	010-01318-01	GMA 245 (AUDIO PANEL)		1
	2	01001	PHONE CONNECTOR		2
	3	01000	MIC CONNECTOR		2



ILLUSTRATED PARTS CATALOGUE



Ed. 1 Rev. 0

ATA 24 ELECTRICAL POWER



ILLUSTRATED PARTS CATALOGUE



Ed. 1 Rev. 0

24. ELECTRICAL POWER

-30. DC GENERATION	3
-40. EXTERNAL POWER	9
-60. DC ELECTRICAL LOAD DISTRIBUTION	13



ILLUSTRATED PARTS CATALOGUE



Ed. 1 Rev. 0

DC GENERATION

Ed. 1 Rev. 0

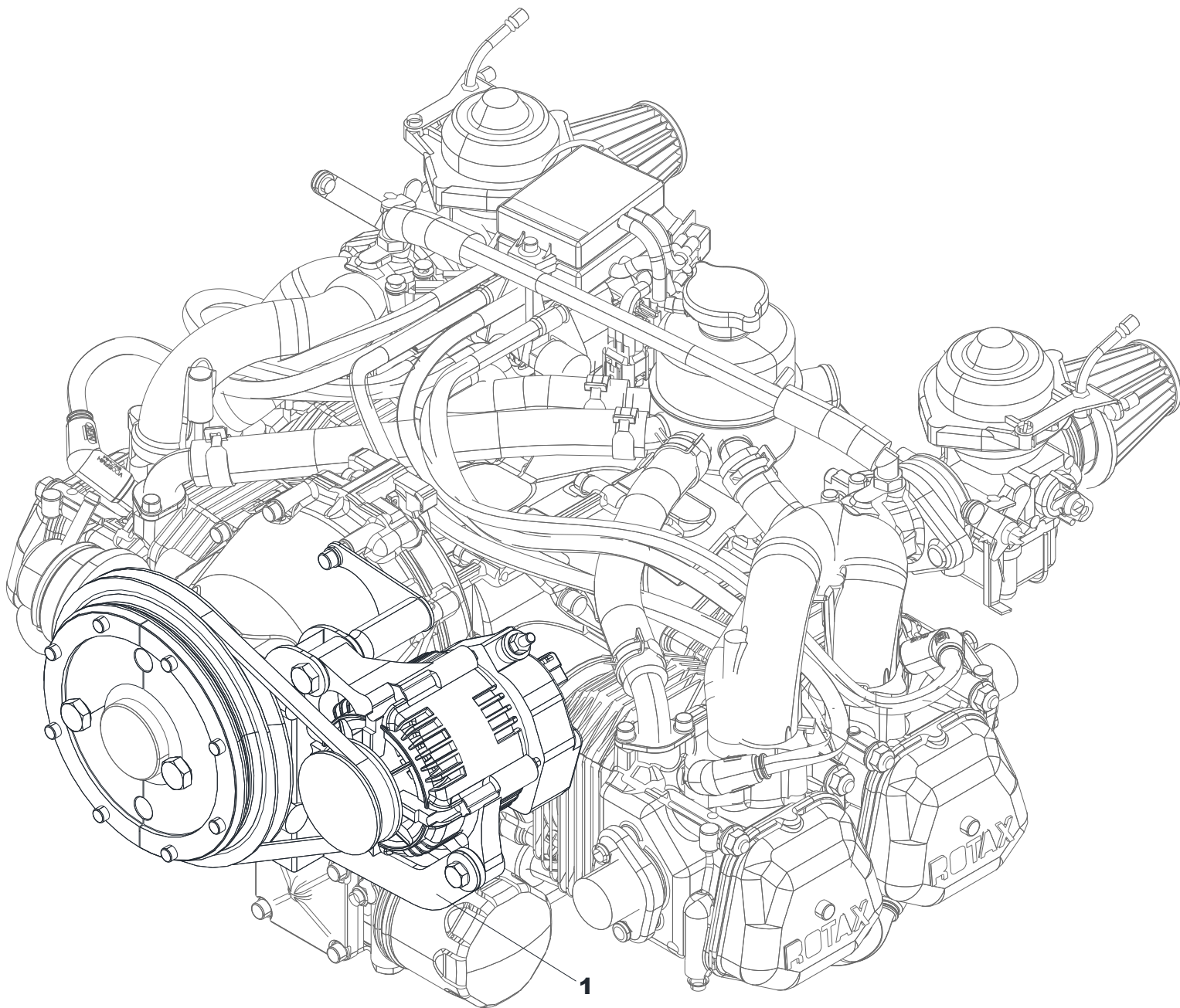


Figure 1 - Alternator Assy



ILLUSTRATED PARTS CATALOGUE

*Ag2 Echo
MK2*

Ed. 1 Rev. 0

FIG.ITEM		P/N	DESCRIPTION	S/N	Q.ty LH RH
1		887251	ALTERNATOR ASSY		1

Ed. 1 Rev. 0

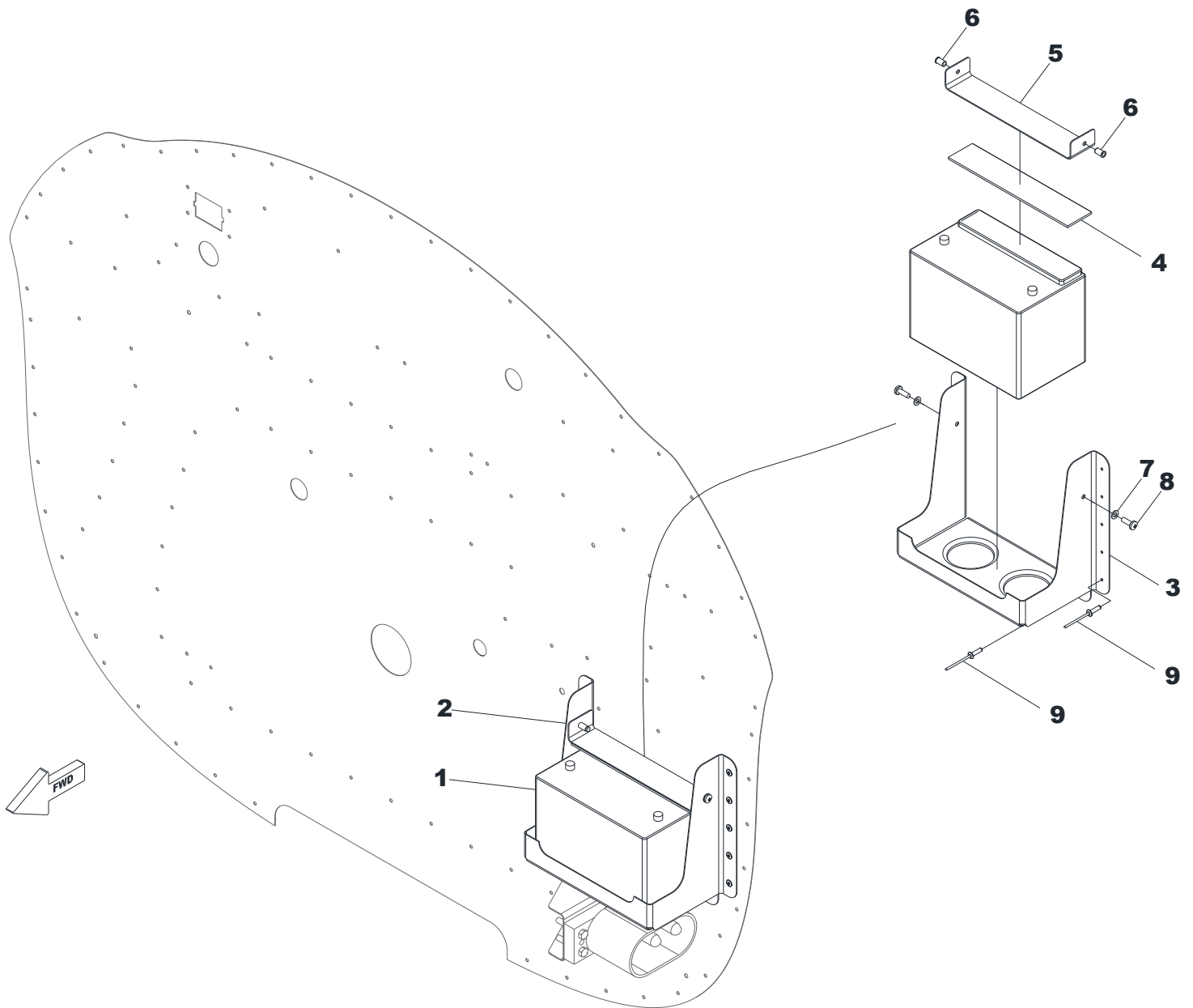


Figure 2 - Battery installation



ILLUSTRATED PARTS CATALOGUE

*Ag2 Echo
MK2*

Ed. 1 Rev. 0

FIG.ITEM		P/N	DESCRIPTION	S/N	Q.ty LH RH	
	1	SBS8	BATTERY			1
	2	218-9-7010-000	BATTERY SUPPORT ASSY			1
	3	92-581-1	BATTERY SUPPORT			1
	4	GA20X3	ADHESIVE GASKET			1
	5	218-9-7010-1	FIXING PLATE			1
	6	UNI9201-4	RIVNUT			2
	7	UNI7048-4-12	SCREW			2
	8	UNI6592-4	WASHER			2
	9	01633-00414	BLIND RIVET			11



ILLUSTRATED PARTS CATALOGUE



Ed. 1 Rev. 0

INTENTIONALLY LEFT BLANK



ILLUSTRATED PARTS CATALOGUE



Ed. 1 Rev. 0

EXTERNAL POWER

Ed. 1 Rev. 0

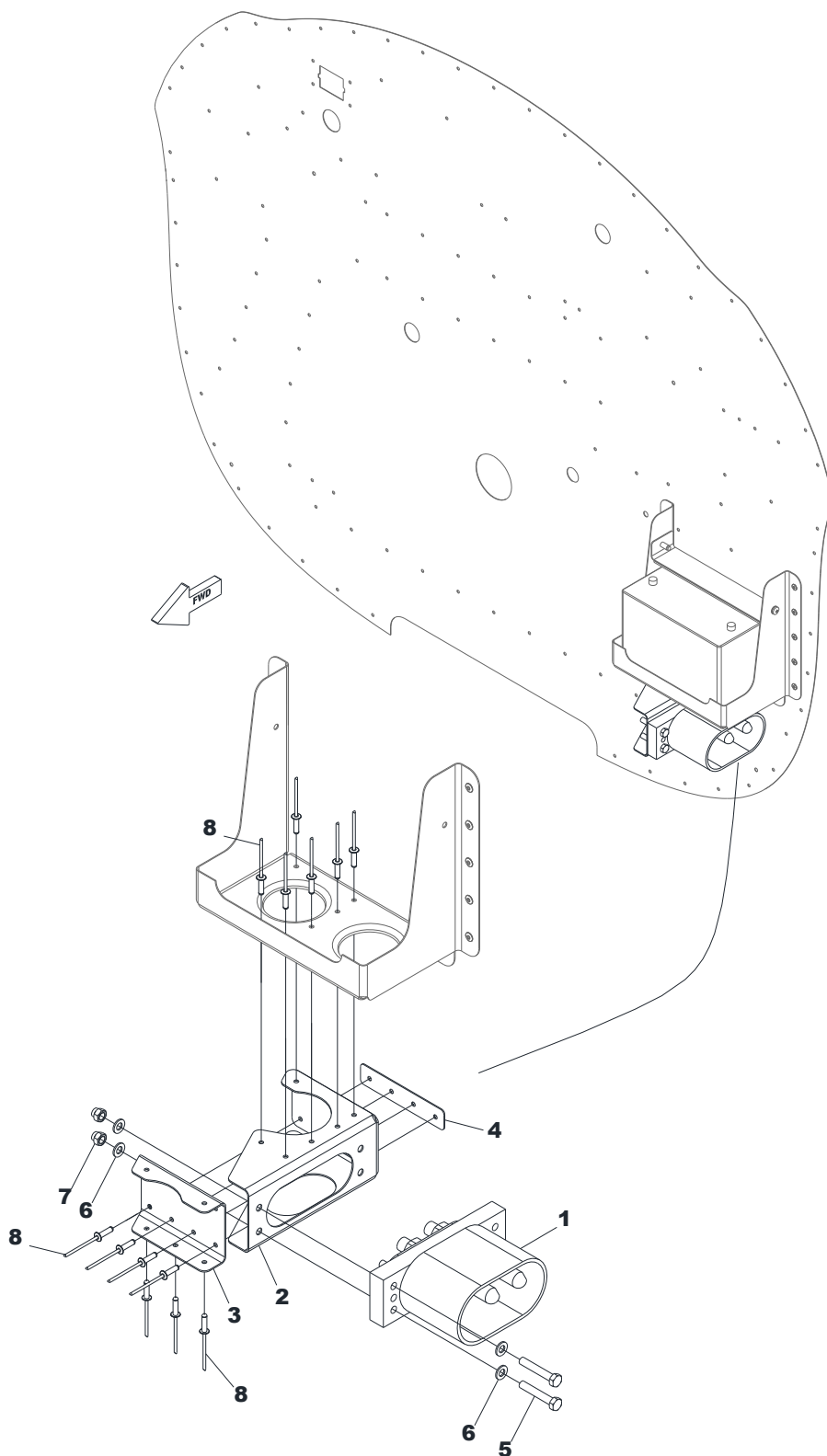


Figure 3 - External power installation

Ed. 1 Rev. 0

FIG.ITEM		P/N	DESCRIPTION	S/N	Q.ty LH RH	
	1	MS3506-1	EXTERNAL POWER			1
	2	218-9-7002-1	EXTERNAL POWER SUPPORT			1
	3	218-9-7004-1	EXTERNAL POWER PLATE			1
	4	218-9-7006-1	THICKNESS			1
	5	UNI5737-5-30	BOLT			4
	6	UNI6592-5	WASHER			4
	7	UNI7473-5	STOP NUT			4
	8	01633-00414	BLIND RIVET			13



ILLUSTRATED PARTS CATALOGUE



Ed. 1 Rev. 0

INTENTIONALLY LEFT BLANK



ILLUSTRATED PARTS CATALOGUE



Ed. 1 Rev. 0

DC ELECTRICAL LOAD DISTRIBUTION

Ed. 1 Rev. 0

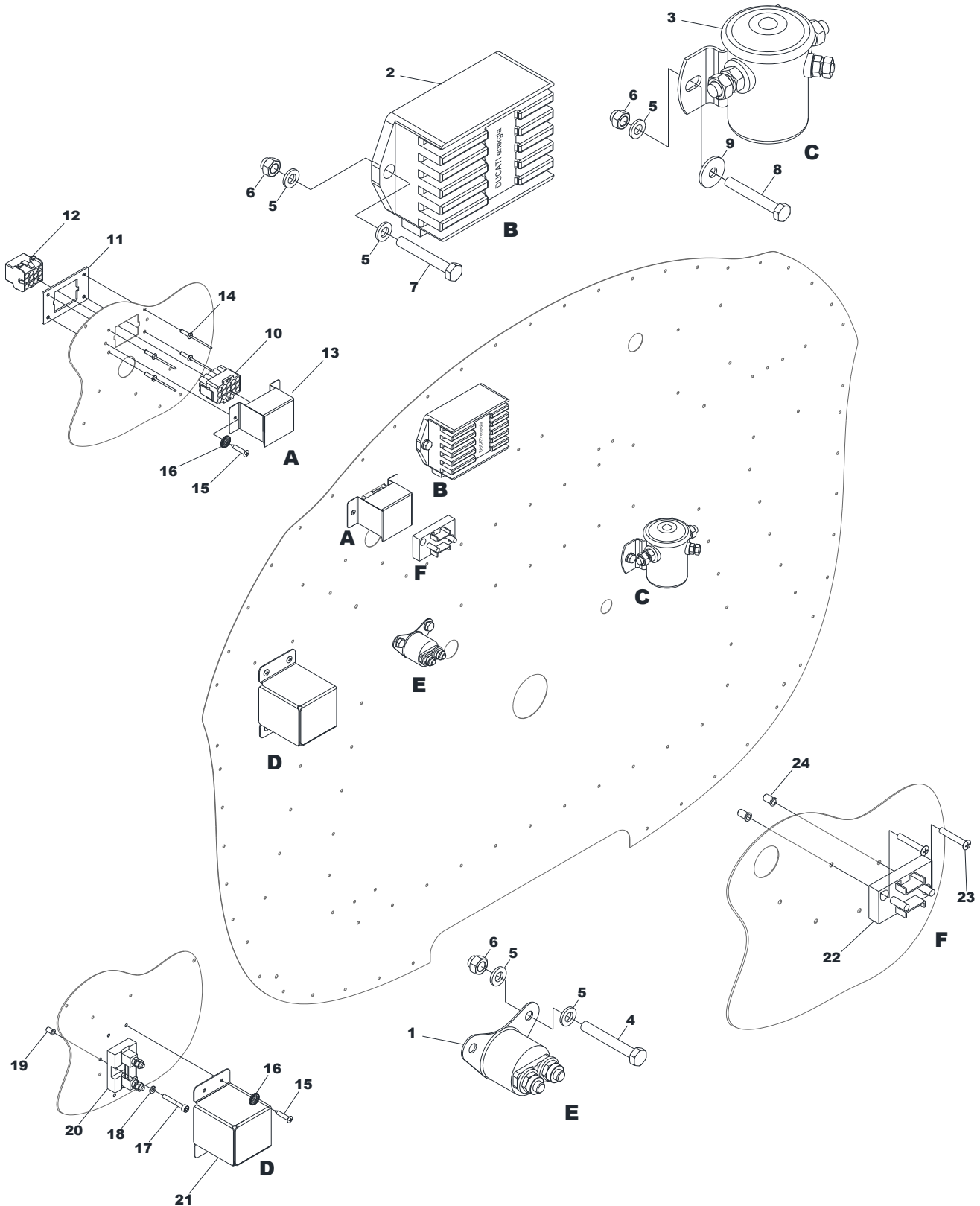


Figure 4 – Firewall electrical components

Ed. 1 Rev. 0

FIG.ITEM		P/N	DESCRIPTION	S/N	Q.ty LH RH
1		992819	STARTER RELAY		1
2		965349	VOLTAGE REGULATOR		1
3		11-03161	MASTER RELAY		1
4		UNI 5739-6-16	BOLT		2
5		UNI6592-6	WASHER		8
6		UNI7474-6	STOP NUT		6
7		UNI5739-6-20	BOLT		2
8		UNI5737-6-25	BOLT		2
9		UNI6593-6	WASHER		1
10		848-896	RS CONNECTOR 12 PIN MALE		1
11		218-2-1158-1	RS CONNECTOR REINFORCEMENT PLATE		1
12		132-5186	RS CONNECTOR 12 PIN FEMALE		1
13		24-9-920-1	RS CONNECTOR COVER		1
14		01633-00414	BLIND RIVET		4
15		UNI6954-2.9-13	SCREW		8
16		OT63	WASHER		8
17		UNI5931-4-30	SCREW		2
18		UNI1751-4	GROWER		2
19		UNI9201-4	RIVNUT		2
20		1C4	SHUNT		1
21		28-10-2020-1	SHUNT COVER		1
22		548-9183	BASE MOUNT FUSE HOLDER		1
23		UNI7689-3-18	SCREW		2
24		UNI9201-3	RIVNUT		2

Ed. 1 Rev. 0

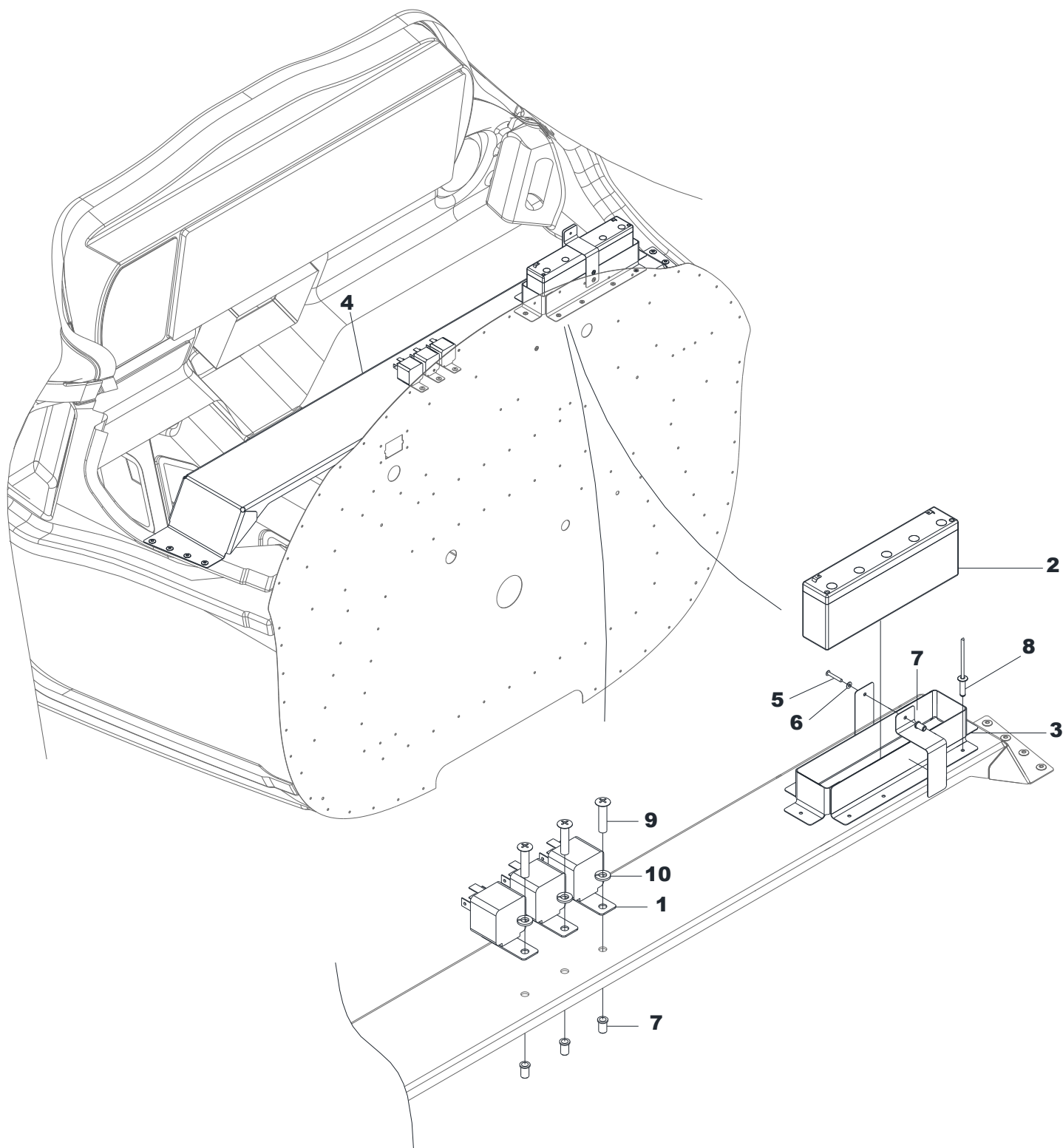


Figure 5 – Battery backup and relays installation

Ed. 1 Rev. 0

FIG.ITEM		P/N	DESCRIPTION	S/N	Q.ty LH RH
	1	18.0224.0000	BATTERY BACKUP-ALTERNATOR-AVIONIC RELAYS		3
	2	652-1569	BACKUP BATTERY		1
	3	28-9-5101-000	BACKUP BATTERY SUPPORT		1
	4	218-2-1130-1	WIRING SUPPORT BRIDGE		1
	5	UNI7048-4-16	SCREW		1
	6	UNI6592-4	WASHER		1
	7	UNI9201-4	RIVNUT		2
	8	01633-00410	BLIND RIVET		10
	9	UNI7048-4-12	SCREW		3
	10	UNI1751-B-4	GROWER		3

Ed. 1 Rev. 0

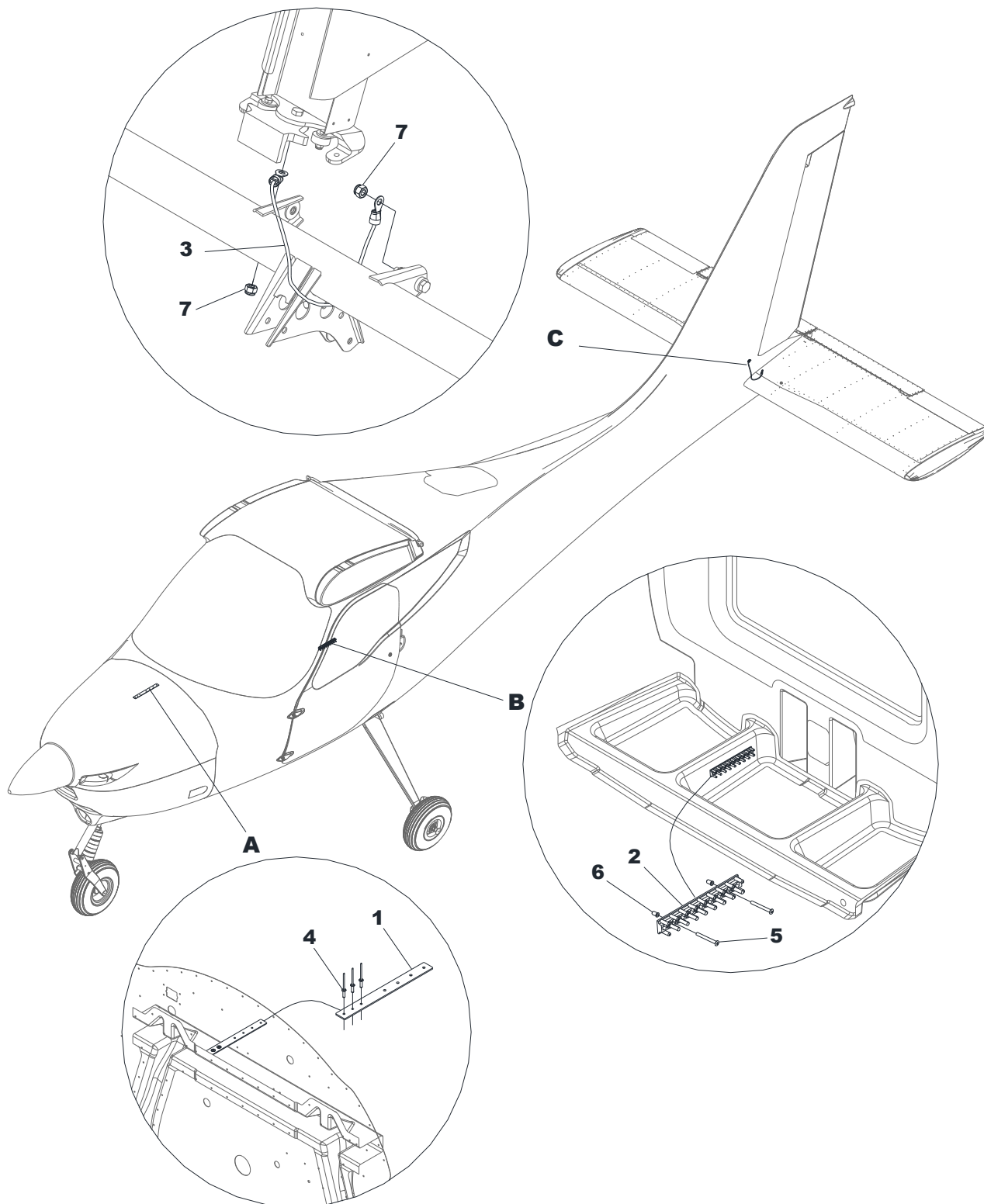


Figure 6 - Grounding components

**ILLUSTRATED PARTS
CATALOGUE***Ag2 Echo
MK2*

Ed. 1 Rev. 0

FIG.ITEM		P/N	DESCRIPTION	S/N	Q.ty LH RH
1		28-9-5107-1	GROUNDING PLATE		1
2		MS27212-1-8	TERMINAL BOARD		1
3		218-9-7015-000	GROUND CABLE		1
4		01633-00414	BLIND RIVETS		1
5		UNI7689-4-18	SCREW		1
6		9201-4	RIVNUT		1
7		UNI7474-6	STOP NUT		1

Ed. 1 Rev. 0

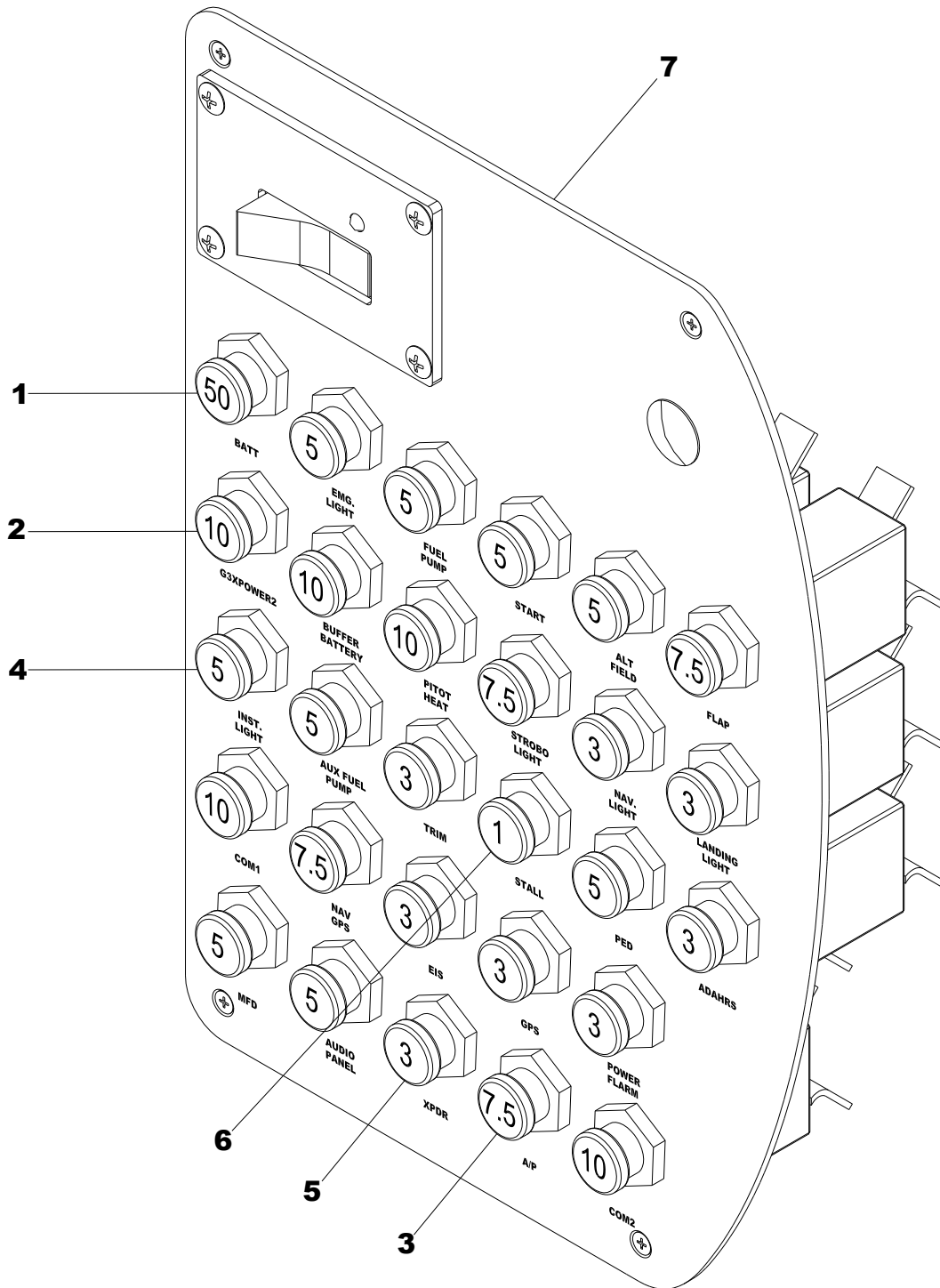


Figure 7 - Breaker Panel

**ILLUSTRATED PARTS
CATALOGUE***Ag2Echo
MK2*

Ed. 1 Rev. 0

FIG.ITEM		P/N	DESCRIPTION	S/N	Q.ty LH RH
1		MS25361-60	BREAKER 60 AMP		1
2		2TC2-10	BREAKER 10 AMP		5
3		2TC2-7.5	BREAKER 7.5 AMP		4
4		2TC2-5	BREAKER 5 AMP		9
5		2TC2-3	BREAKER 3 AMP		7
6		2TC2-3	BREAKER 1 AMP		1
7		218-12-1104-000	BREAKER PANEL		1

Ed. 1 Rev. 0

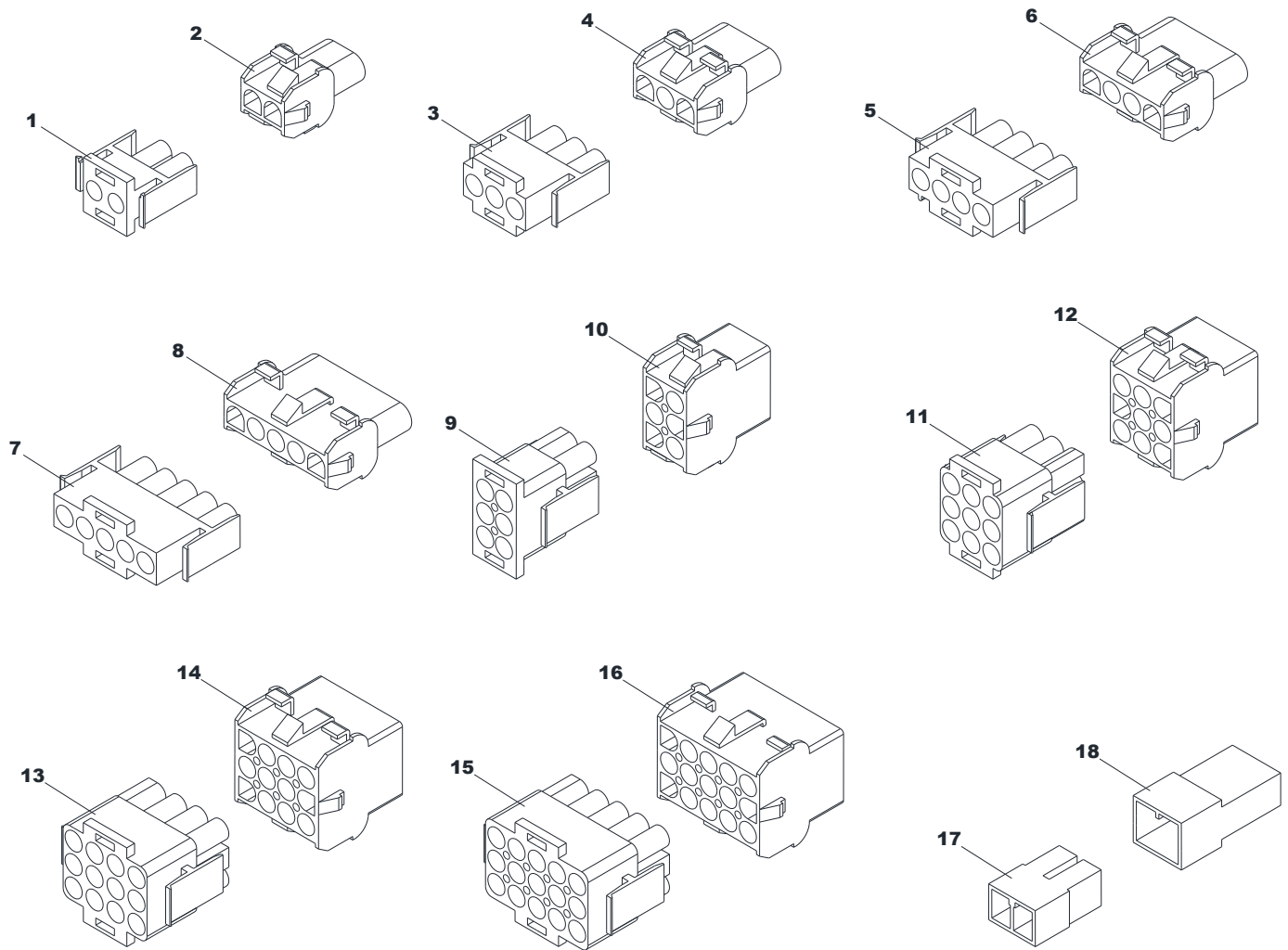


Figure 8 – Connectors

FIG.ITEM		P/N	DESCRIPTION	MOD / SB	Q.ty LH RH
1		848-830	CIRCULAR CONNECTOR TO 2 MALE		/
2		848-919	CIRCULAR CONNECTOR TO 2 FEMALE		/
3		848-846	CIRCULAR CONNECTOR TO 3 MALE		/
4		848-925	CIRCULAR CONNECTOR TO 3 FEMALE		/
5		848-852	CIRCULAR CONNECTOR TO 4 MALE		/
6		848-931	CIRCULAR CONNECTOR TO 4 FEMALE		/
7		848-862	CIRCULAR CONNECTOR TO 5 MALE		/
8		848-947	CIRCULAR CONNECTOR TO 5 FEMALE		/
9		848-878	CIRCULAR CONNECTOR TO 6 MALE		/
10		848-953	CIRCULAR CONNECTOR TO 6 FEMALE		/
11		848-880	CIRCULAR CONNECTOR TO 9 MALE		/
12		848-969	CIRCULAR CONNECTOR TO 9 FEMALE		/
13		848-896	CIRCULAR CONNECTOR TO 12 MALE		/
14		132-5186	CIRCULAR CONNECTOR TO 12 FEMALE		/
15		848-903	CIRCULAR CONNECTOR TO 15 MALE		/
16		848-981	CIRCULAR CONNECTOR TO 15 FEMALE		/
17		245-1567	FASTON TO 2 MALE		/
18		245-1545	FASTON TO 2 FEMALE		/



ILLUSTRATED PARTS CATALOGUE



Ed. 1 Rev. 0

INTENTIONALLY LEFT BLANK



ILLUSTRATED PARTS CATALOGUE



Ed. 1 Rev. 0

ATA 25 EQUIPMENT / FURNISHINGS



ILLUSTRATED PARTS CATALOGUE



Ed. 1 Rev. 0

25. EQUIPMENT / FURNISHINGS

-10. FLIGHT COMPARTMENT	3
-50. CARGO COMPARTMENT	11
-60. EMERGENCY	17
-80. INSULATION.....	21



ILLUSTRATED PARTS CATALOGUE



Ed. 1 Rev. 0

FLIGHT COMPARTMENT

Ed. 1 Rev. 0

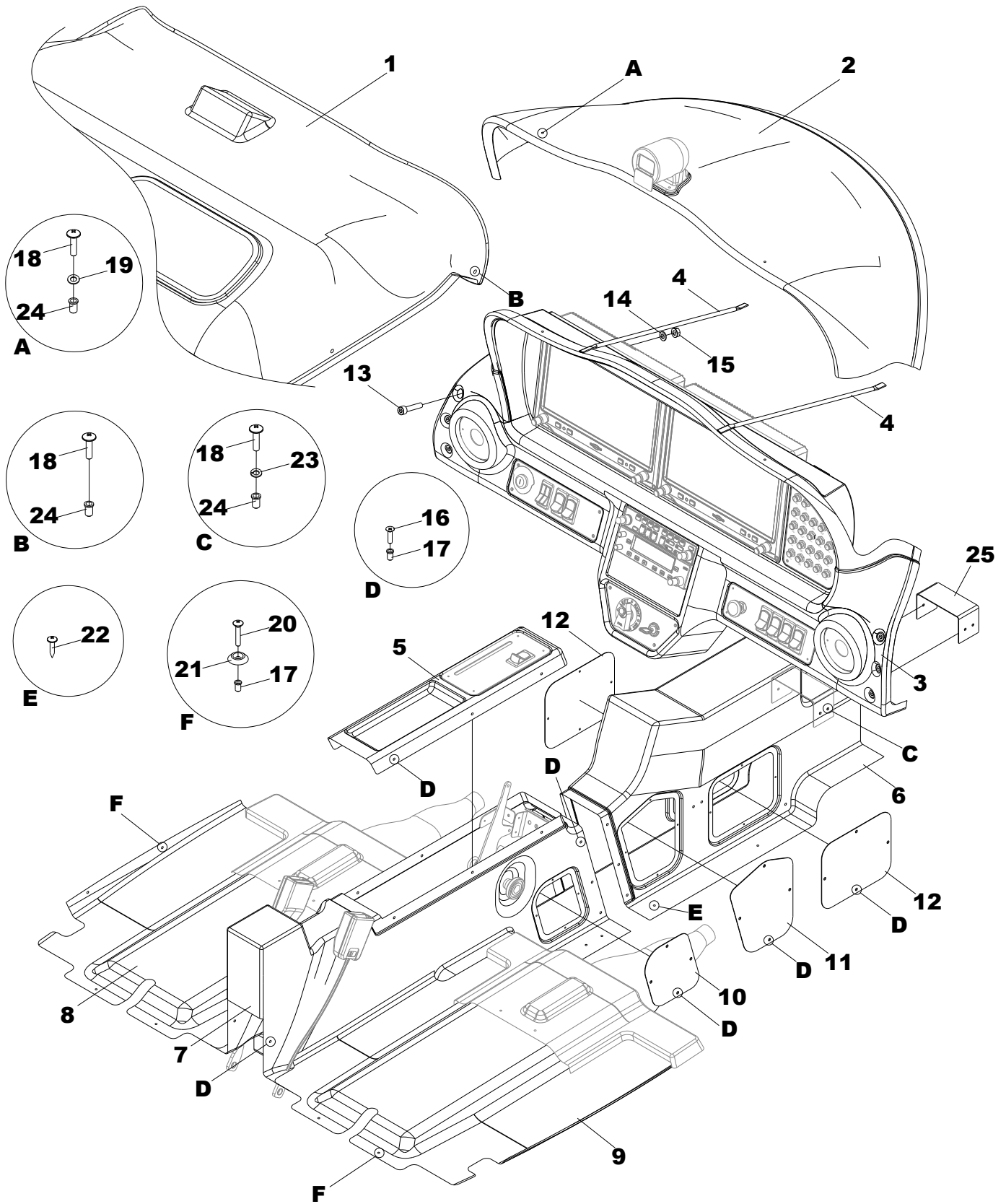


Figure 1 – Flight compartment parts (sheet 1)

Ed. 1 Rev. 0

FIG.ITEM		P/N	DESCRIPTION	S/N	Q.ty LH RH
1		28-12-1010-1	CEILING CABIN		1
2		218-12-1004-1	DASHBOARD COVER		1
3		218-12-1002-1	DASHBOARD		1
4		218-12-1062-1	DASHBOARD FIXING ROD		2
5		218-12-1008-1	CENTRAL PEDESTAL COVER		1
6		218-12-1006-1	CENTRAL PEDESTAL FORWARD		1
7		218-12-1030-1	CENTRAL PEDESTAL REARWARD		1
8		218-12-1012-1	LOWER SEAT PANEL LH		1
9		218-12-1012-2	LOWER SEAT PANEL RH		1
10		218-12-1054-1	INSPECTION PANEL		1
11		218-12-1052-1	INSPECTION PANEL		1
12		218-12-1050-1	INSPECTION PANEL		2
13		UNI 5931-6-30	INTERNAL HEX. HEAD SCREW (FULLY THREADED)		6
14		UNI 6592-6	WASHER		6
15		UNI 7473-6	STOP NUT		6
16		DIN 965-3-12	SCREW		30
17		UNI 9202-3	RIVNUT		30
18		2756000401401	SCREW (M4x14)		17
19		BACCW10BP3NDP	WASHER		2
20		UNI 7689-3-20	SCREW		12
21		OT63	FINISHING WASHER		12
22		UNI6954-2.9-13	SCREW		12
23		UNI 1751-B-4	GROWER		4
24		UNI 9201-4	RIVNUT		17
25		218-12-1048-1	CENTRAL PEDESTAL FORWARD C PLATE FIXING		1

Ed. 1 Rev. 0

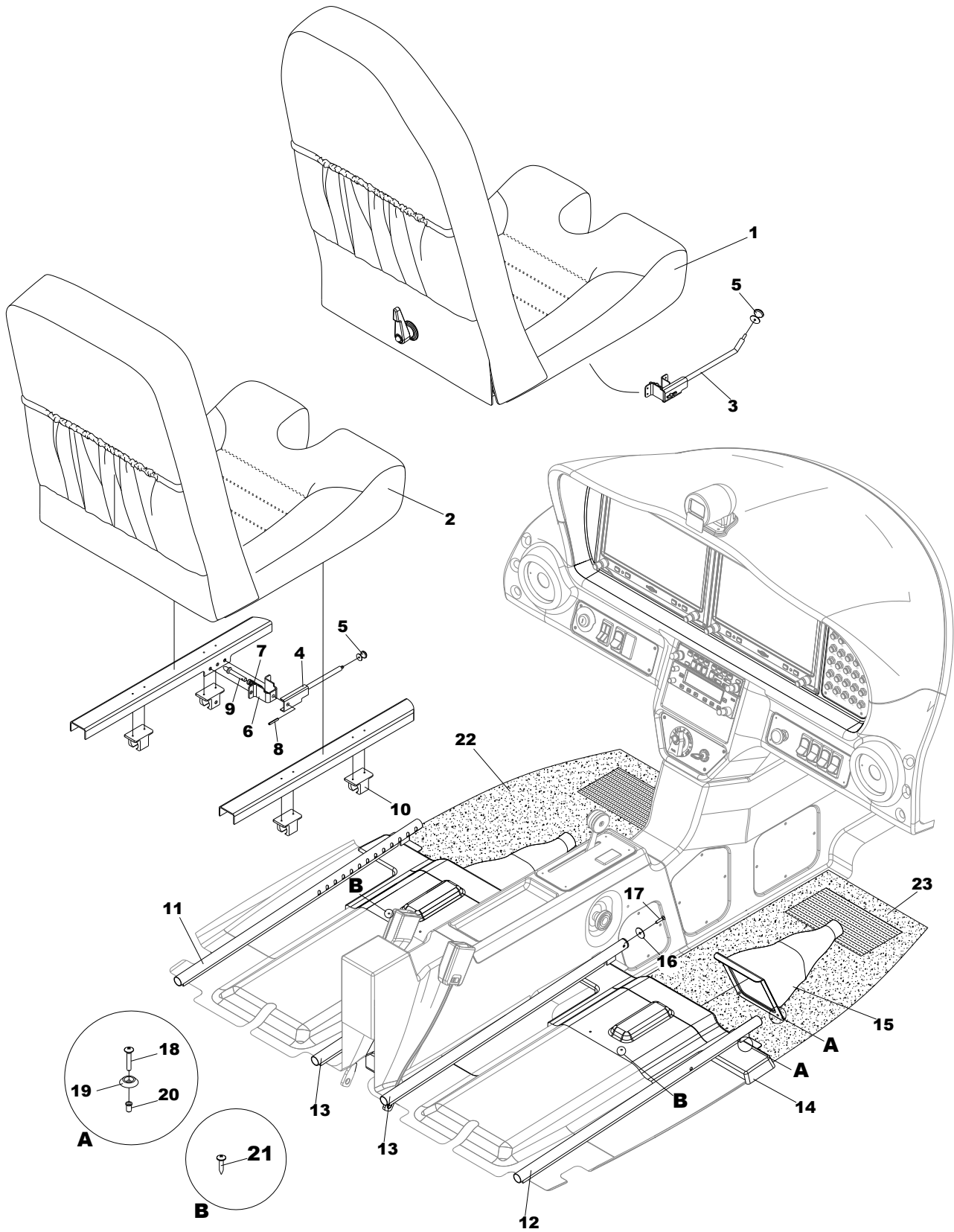


Figure 2 – Flight compartment parts (sheet 2)

Ed. 1 Rev. 0

FIG.ITEM		P/N	DESCRIPTION	S/N	Q.ty LH RH	
1		218-12-1200-001/2	RECLINING BACKREST SEAT (PREMIUM OPT)		1	1
2		218-12-1300-001-2	FIXED BACKREST SEAT (STD)		1	1
3		28-12-3020-001/2	SEAT ADJUSTMENT LEVER LH/RH (FOR OPT)		1	1
4		22-12-311-001/2	SEAT ADJUSTMENT LEVER LH/RH (FOR STD)		1	1
5		40012.18B	LEVER KNOB		1	1
6		96-12-503-5	LEVER SUPPORT		1	1
7		92-12-502-5	SPRING		1	1
8		DIN 1481-3-20	SPRING PIN		1	1
9		92-12-502-6	LOCKING PIN		1	1
10		92-9-902-1	SEAT GIDE		4	4
11		218-2-1200-001	SEAT TRACK ASSY LH		1	
12		218-2-1200-002	SEAT TRACK ASSY RH			1
13		218-2-1200-003	SEAT TRACK ASSY (CENTRAL)		1	1
14		218-12-1114-1/2	LOWER SEAT PANEL FWD SIDE		1	1
15		28-12-1026-000	CLOCHE COVER		1	1
16		22-2-442-1	SEAT TRACK LIMIT STOP		1	1
17		UNI 7688-4-12	SCREW		1	1
18		DIN 965-3-12	SCREW		12	
19		OT63	WASHER		12	
20		UNI 9202-3	RIVNUT		12	
21		UNI6954-2.9-13	SCREW		4	
22		218-12-1400-1	LH FLIGHT COMPARTMENT CARPET		1	
23		218-12-1400-2	RH FLIGHT COMPARTMENT CARPET			1

Ed. 1 Rev. 0

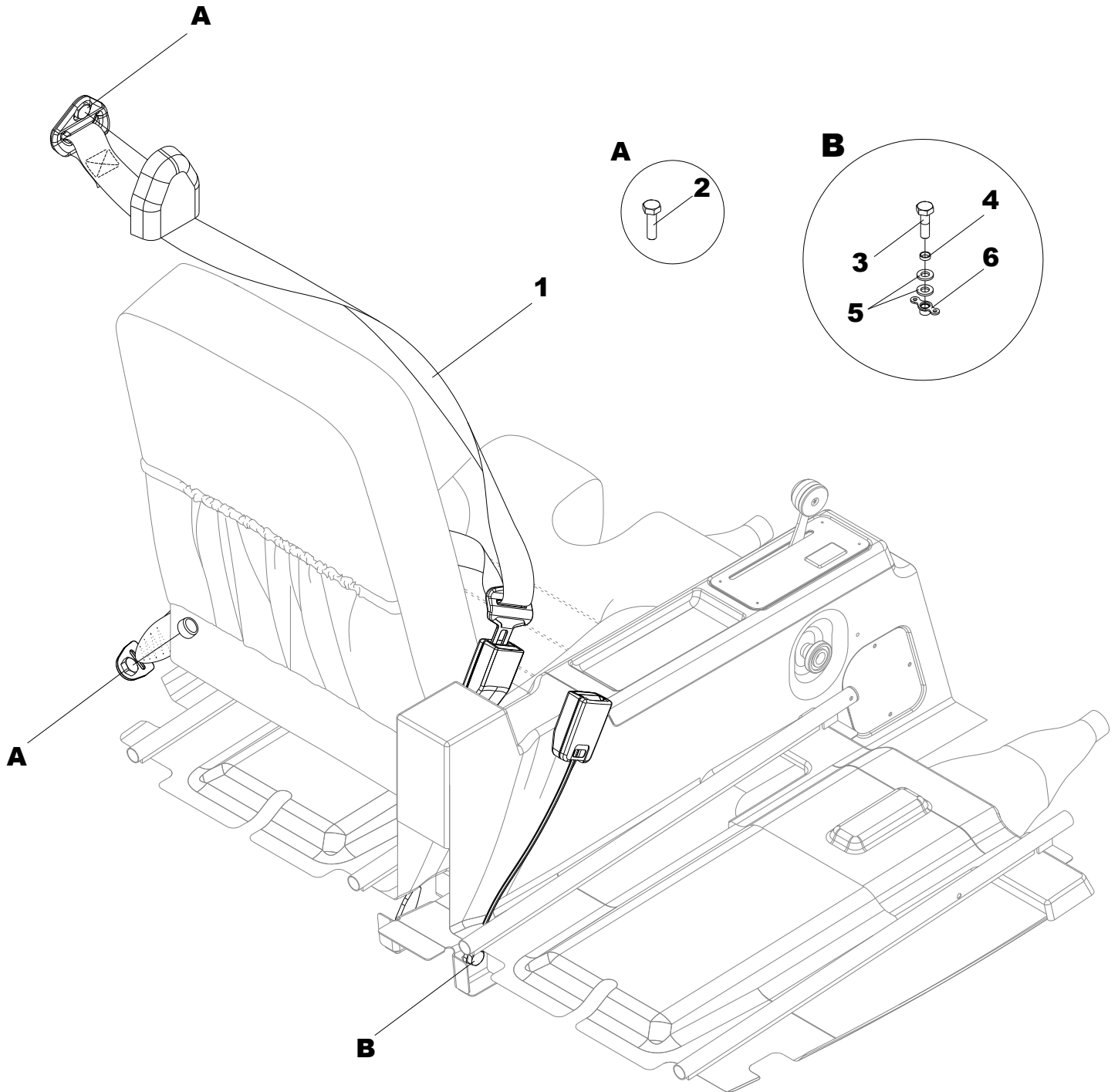


Figure 3 - 3-Point safety belts

Ed. 1 Rev. 0

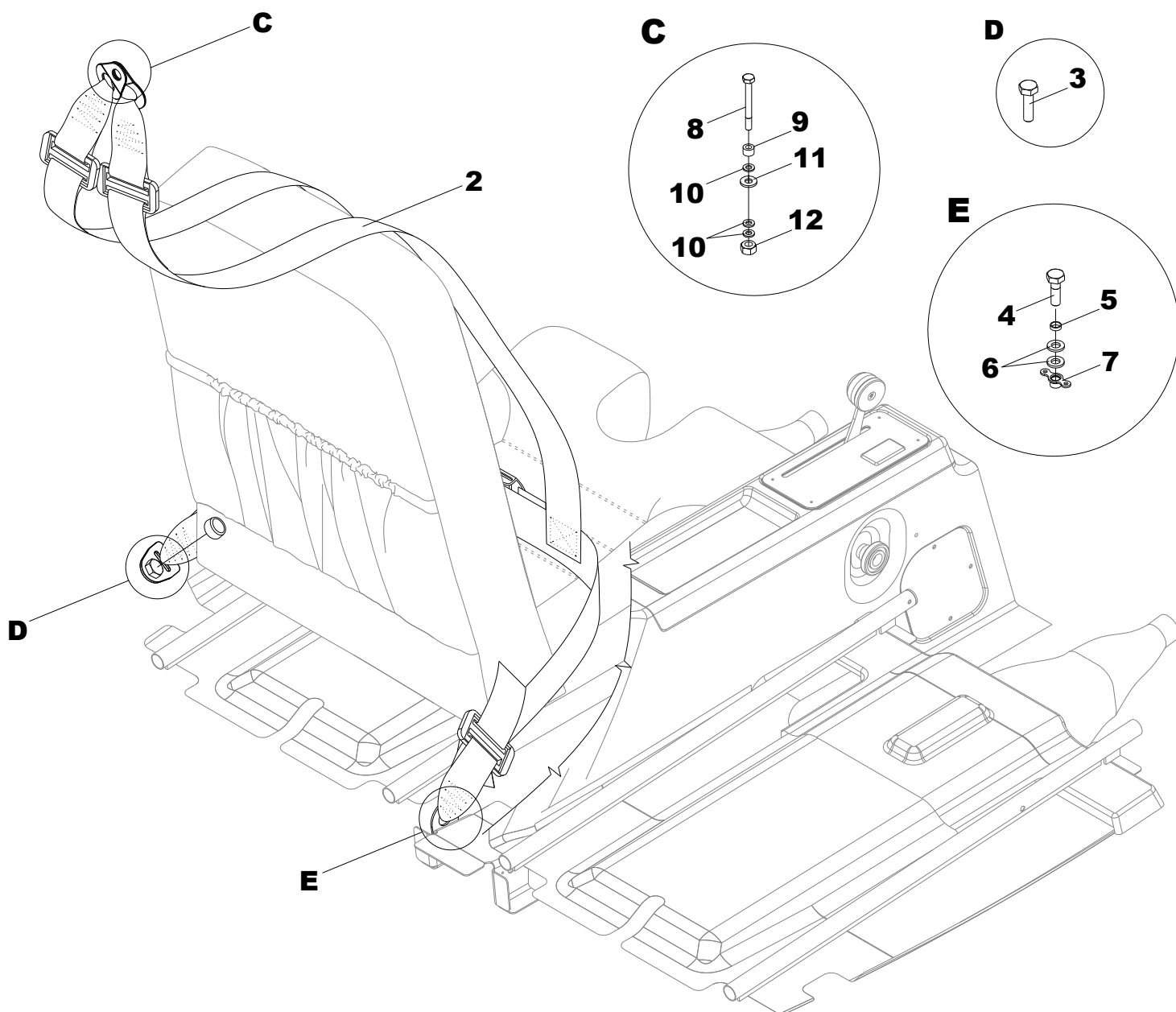


Figure 4 - 4-Point safety belts (OPT)

ILLUSTRATED PARTS CATALOGUE



Ed. 1 Rev. 0

FIG.ITEM		P/N	DESCRIPTION	S/N	Q.ty LH RH	
	1	1000175	3-POINT SAFETY BELTS		1	1
	2	CP4B03N	4-POINT SAFETY BELTS		1	1
	3	UNI 5739-10-25	BOLT		2	2
	4	AN6-7A	BOLT		1	1
	5	218-12-1059-2	BUSHING		1	1
	6	AN960- 616	WASHER		2	2
	7	MS21047-L6	ANCHOR NUT		1	1
	8	AN4-17A	BOLT		1	1
	9	218-12-1059-1	BUSHING		1	1
	10	AN960-416	WASHER		3	3
	11	UNI 6593-8	LARGE AREA FLAT WASHER		1	1
	12	AN365-428	STOP NUT		1	1



ILLUSTRATED PARTS CATALOGUE



Ed. 1 Rev. 0

CARGO COMPARTMENT

Ed. 1 Rev. 0

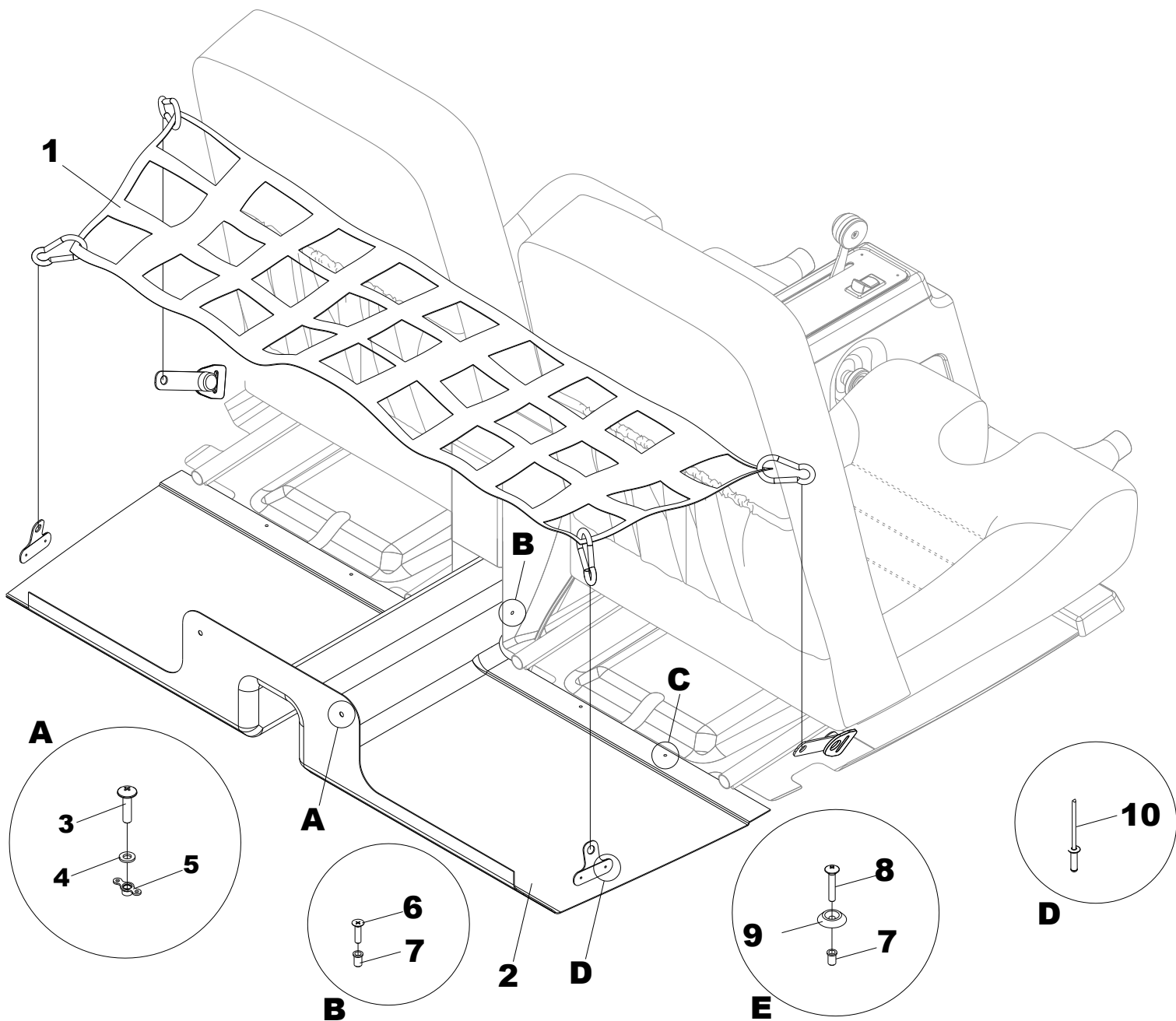


Figure 5 - Baggage compartment (sheet 1)

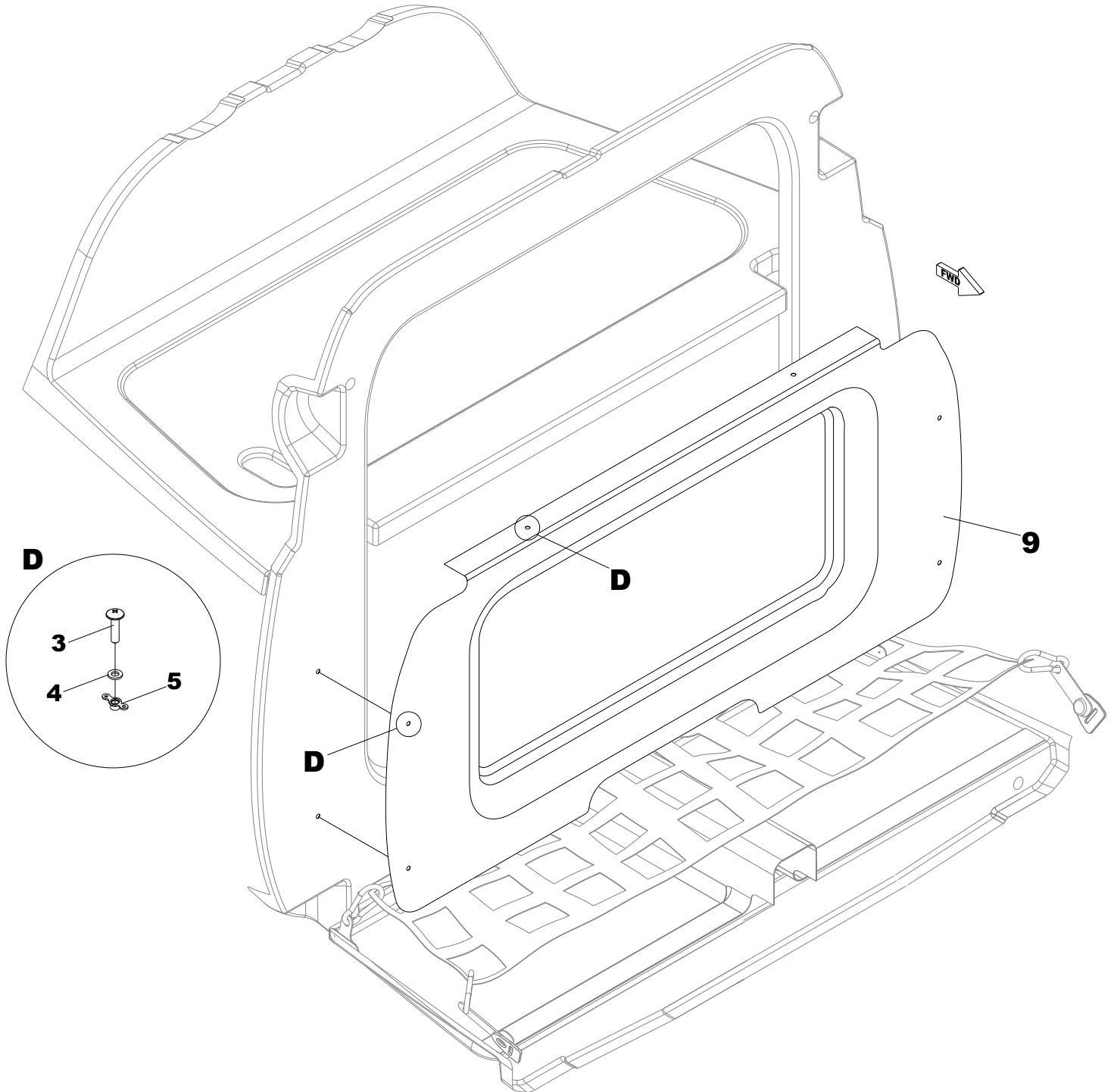


Figure 6 - Baggage compartment (sheet 2)

Ed. 1 Rev. 0

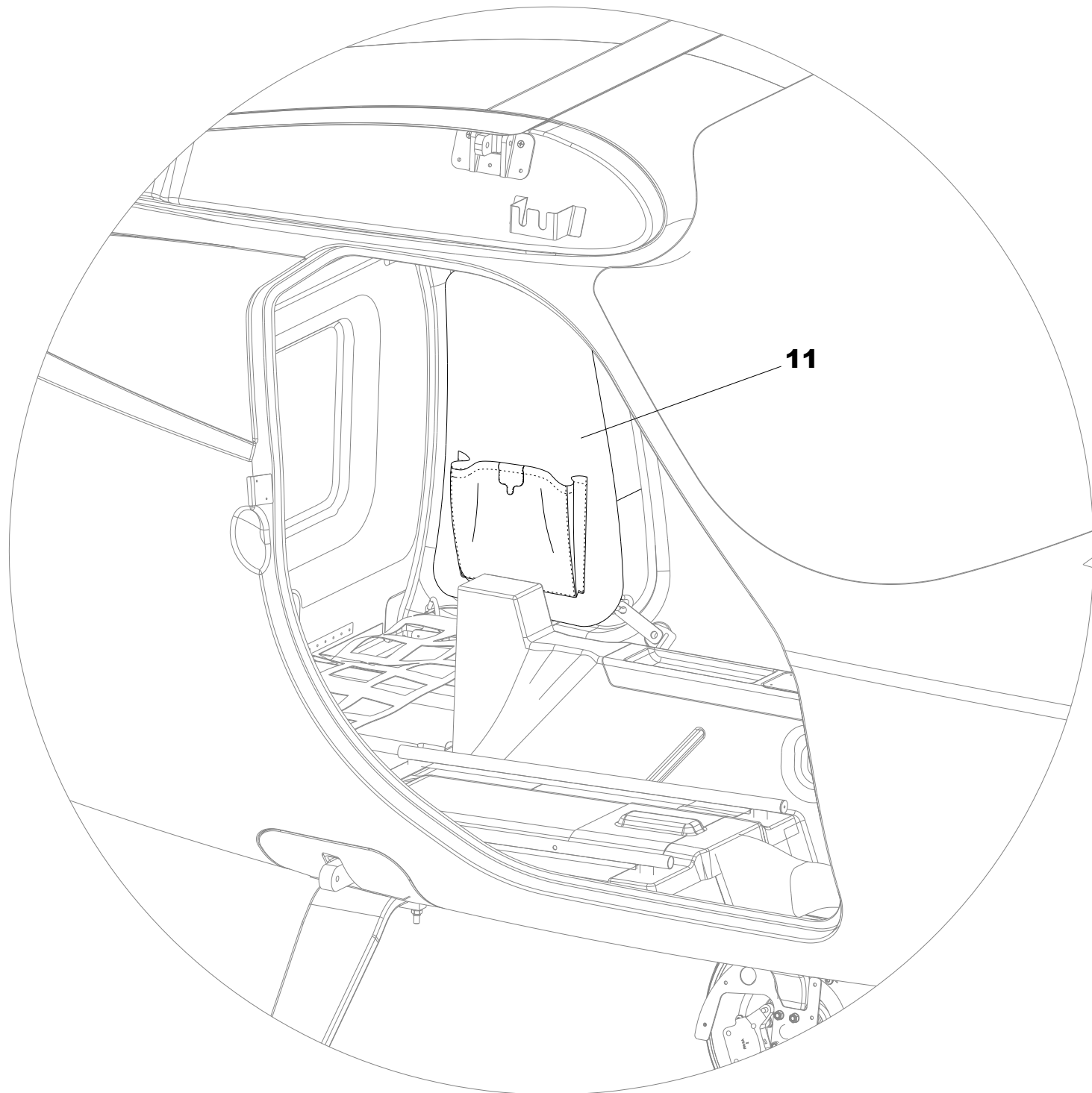


Figure 7 - Baggage compartment (sheet 3)

ILLUSTRATED PARTS CATALOGUE



Ed. 1 Rev. 0

FIG.ITEM		P/N	DESCRIPTION	S/N	Q.ty LH RH	
	1	SF-6BT	BAGGAGE NET (OPT)		1	
	2	218-12-1016-1	BAGGAGE COMPARTMENT FLOOR		1	
	3	AN526C832R8	SCREW		8	
	4	BACW10BP3NDP	WASHER		8	
	5	MS21069L08	ANCHOR NUT		8	
	6	DIN 965-3-12	SCREW		2	
	7	UNI 9202-3	RIVNUT		6	
	8	UNI 7689-3-20	SCREW		4	
	9	OT63	FINISHING WASHER		4	
	10	OBS11-00618	BLIND RIVET		2	2
	11	1004B002-3	LH PANEL (PREMIUM OPT)		1	
		1004B001-3	RH PANEL (PREMIUM OPT)			1



ILLUSTRATED PARTS CATALOGUE



Ed. 1 Rev. 0

INTENTIONALLY LEFT BLANK



ILLUSTRATED PARTS CATALOGUE



Ed. 1 Rev. 0

EMERGENCY

Ed. 1 Rev. 0

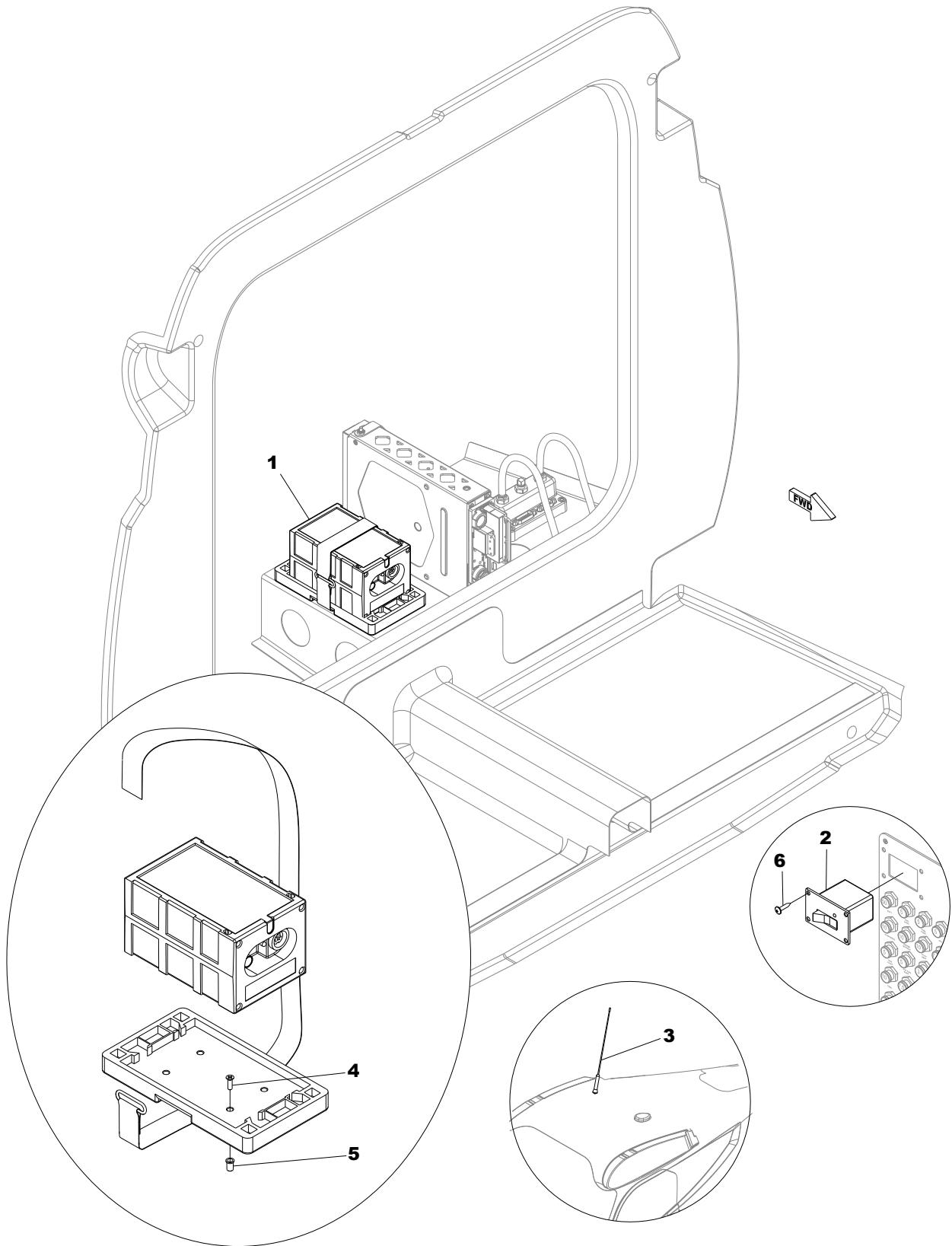


Figure 8 - ELT componets

Ed. 1 Rev. 0

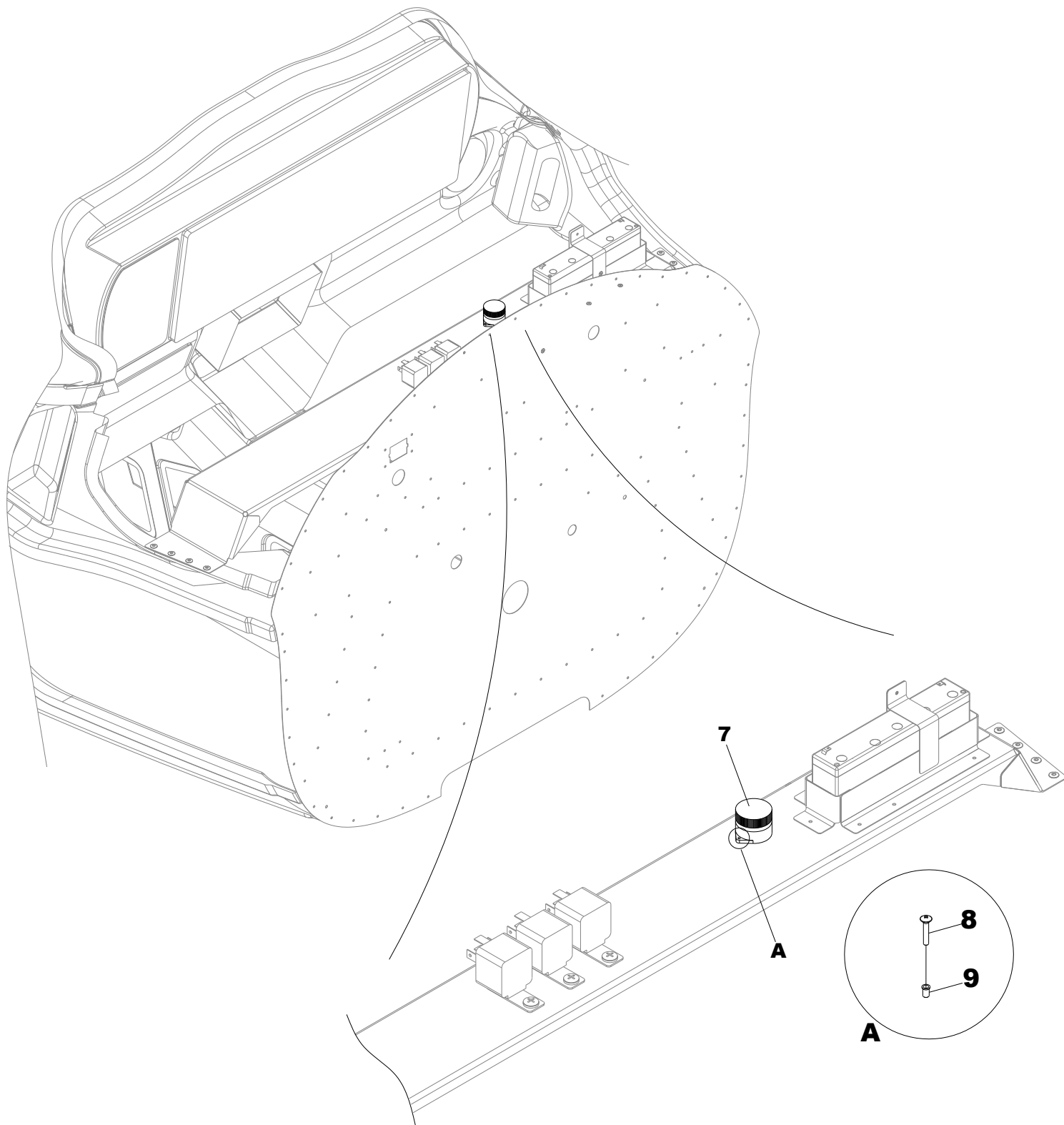


Figure 9 - Stall warning buzzer



ILLUSTRATED PARTS CATALOGUE

*Ag2 Echo
MK2*

Ed. 1 Rev. 0

FIG.ITEM		P/N	DESCRIPTION	S/N	Q.ty LH RH
	1	S1851501-02	ELT		1
	2	RC200	ELT SWITCH		1
	3	0146151	ELT ANTENNA (AV-200)		1
	4	UNI 7687-4-10	SCEW		4
	5	UNI9201-4	RIVNUT		4
	6	UNI6954-2.9-13	SCREW		4
	7	457021	STALL WARNING BUZZER		1
	8	UNI7689-3-20	SCREW		2
	9	UNI9202-3	RIVNUT		2



ILLUSTRATED PARTS CATALOGUE



Ed. 1 Rev. 0

INSULATION

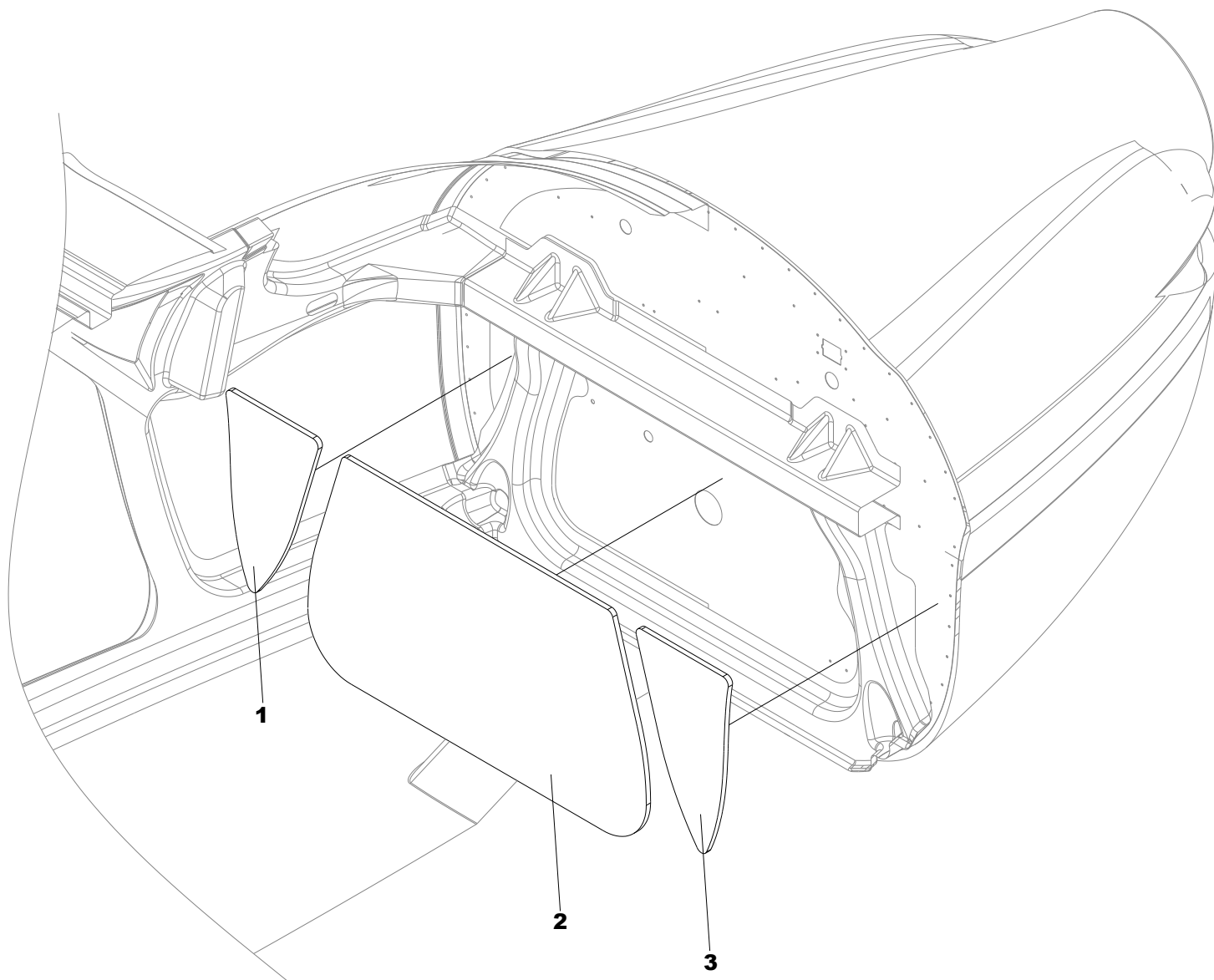


Figure 10 - Insulation panels

**ILLUSTRATED PARTS
CATALOGUE***Ag2 Echo
MK2*

Ed. 1 Rev. 0

FIG.ITEM		P/N	DESCRIPTION	S/N	Q.ty LH RH	
		218-12-1021-000	FIREWALL INSULATION KIT		1	
	1	218-12-1021-1	INSULATION ADHESIVE LH		1	
	2	218-12-1021-2	INSULATION ADHESIVE RH			1
	2	218-12-1021-3	INSULATION ADHESIVE CENTRAL		1	



ILLUSTRATED PARTS CATALOGUE



Ed. 1 Rev. 0

INTENTIONALLI LEFT BLANK

ATA 25-80 INSULATION



ILLUSTRATED PARTS CATALOGUE



Ed. 1 Rev. 0

ATA 27 FLIGHT CONTROLS



ILLUSTRATED PARTS CATALOGUE



Ed. 1 Rev. 0

27. FLIGHT CONTROLS

-10. AILERON AND TAB	3
-20. RUDDER	9
-30. ELEVATOR AND TAB.....	17
-40. HORIZONTAL STABILIZER / STABILATOR.....	21
-50. FLAPS	29



ILLUSTRATED PARTS CATALOGUE



Ed. 1 Rev. 0

AILERON AND TAB

Ed. 1 Rev. 0

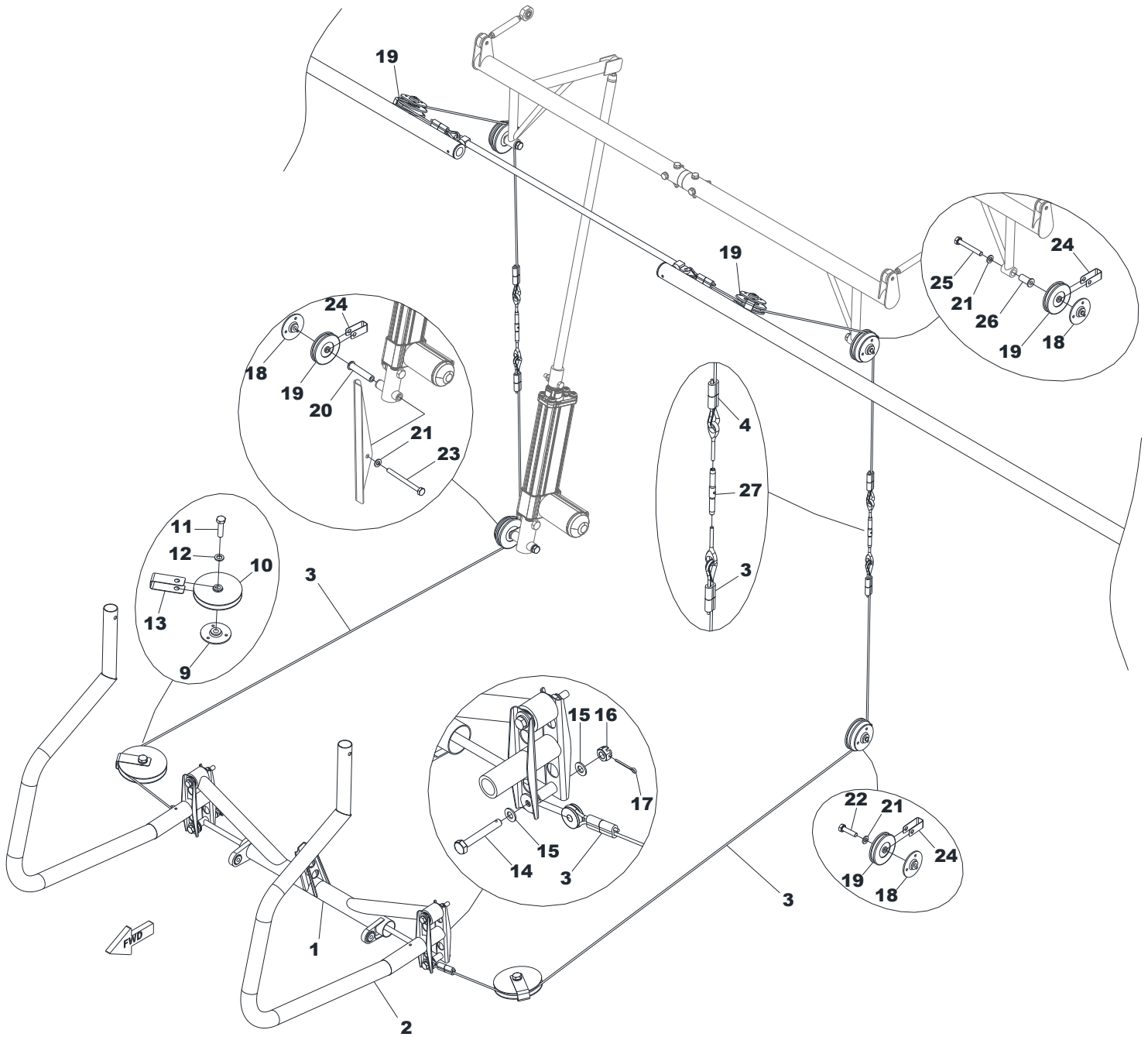


Figure 1 - Aileron controls

Ed. 1 Rev. 0

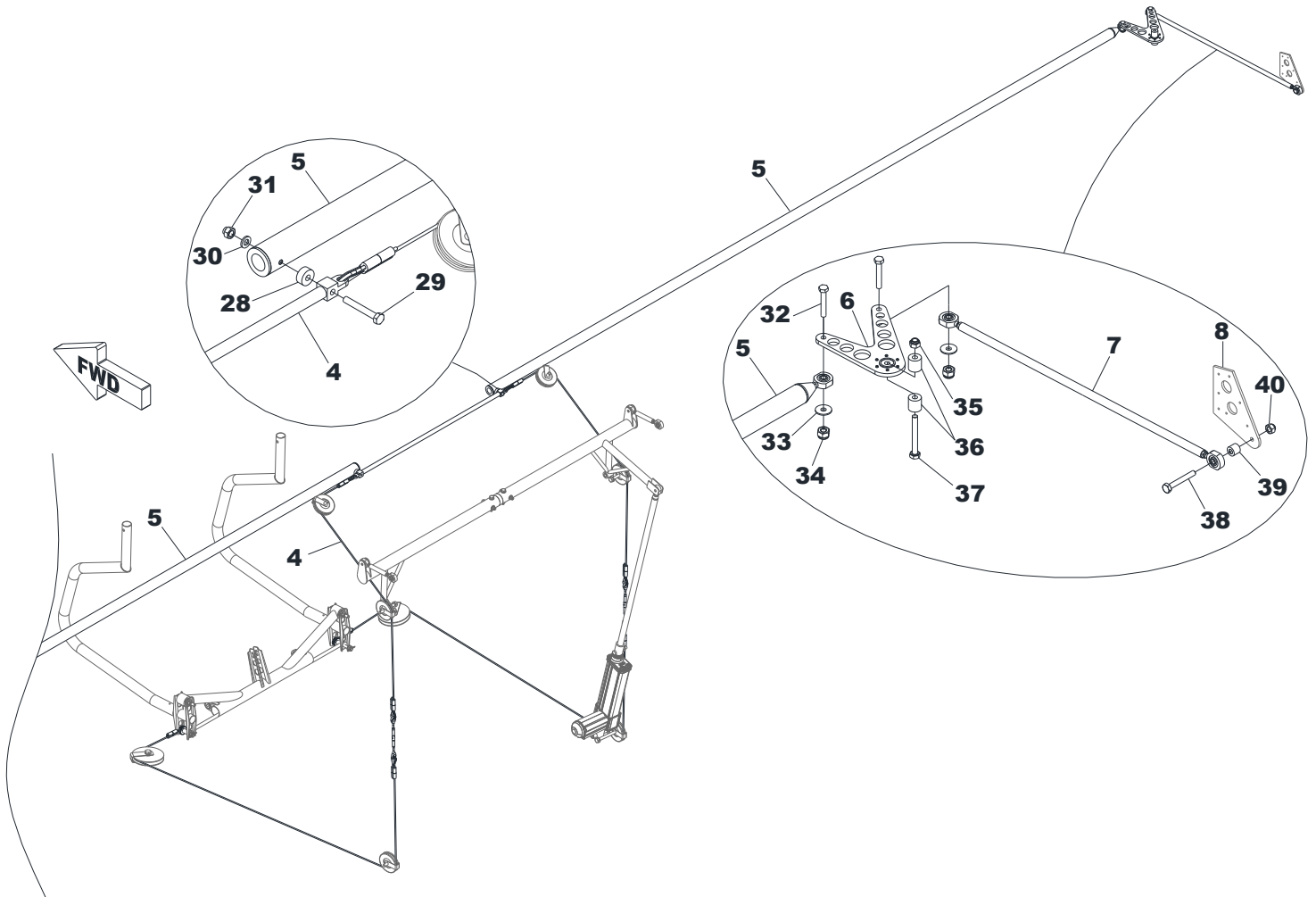


Figure 2 - Aileron controls (Rods installation)

Ed. 1 Rev. 0

FIG.ITEM		P/N	DESCRIPTION	S/N	Q.ty LH RH	
1		28-5-2500-000	STICK ASSY		1	
2		92-4-300-000	CLOCHE		1	1
3		218-5-1120-000	LOWER AILERON CABLE ASSY		1	1
4		218-5-1110-000	UPPER AILERON CABLE ASSY		1	
5		218-5-1130-000	AILERON CONTROL ROD		1	1
6		92-1-112-002	LEVER AILERON CONTROL RH		1	
		92-1-112-001	LEVER AILERON CONTROL LH		1	
7		92-5-901-1	ROD		1	1
8		92-1-405-1	AILERON LEVER		1	1
9		218-2-1122-1	FWD PULLEY SUPPORT		1	1
10		MS20220-2	PULLEY		1	1
11		AN5-11A	BOLT		1	1
12		AN960-516	WASHER		1	1
13		26-2-1057-2	ANTI-DERAILMENT PLATE		1	1
14		AN4-16	BOLT		1	1
15		NAS1149F0463P	WASHER		2	2
16		AN310-4	CASTEL NUT		1	1
17		MS24665-153	COTTER PIN		1	1
18		218-2-1124-1	PULLEY SUPPORT		3	3
19		MS24566-3B	PULLET		3	3
20		218-5-5046-1	BUSHING		1	
21		AN960-416	WASHER		3	3
22		AN4-10A	BOLT		2	1
23		AN4-30A	BOLT		1	
24		92-9-917-1-A	ANTI-DERAILMENT PLATE		3	3
25		AN4-17A	BOLT		1	1
26		218-5-5038-1	BUSHING		1	1
27		MS21251-B3S	TURNBUCKLE		1	1
28		92-5-903-1	SPACER		1	1
29		UNI5737-5-55	BOLT		1	1
30		UNI6592-5	WASHER		1	1
31		UNI7473-5	STOP NUT		1	1
32		UNI5737-6-35	BOLT		2	2

Ed. 1 Rev. 0

33		UNI6593-6	WASHER		2	2
34		UNI7474-6	STOP NUT		2	2
35		MS21044N4	STOP NUT		1	1
36		92-1-112-3	SPACER BUSH		2	2
37		AN4-21A	BOLT		1	1
38		UNI5737-6-30	BOLT		1	1
39		28-5-4017-1	SPACER BUSH (TH 4.8 MM)		1	1
		218-6-9002-1	ALTERNATIVE SPACER BUSH (TH 4 MM)		1	1
40		UNI7473-6	STOP NUT		1	1



ILLUSTRATED PARTS CATALOGUE



Ed. 1 Rev. 0

INTENTIONALLY LEFT BLANK



ILLUSTRATED PARTS CATALOGUE



Ed. 1 Rev. 0

RUDDER

Ed. 1 Rev. 0



Figure 3 - Rudder control general view

Ed. 1 Rev. 0

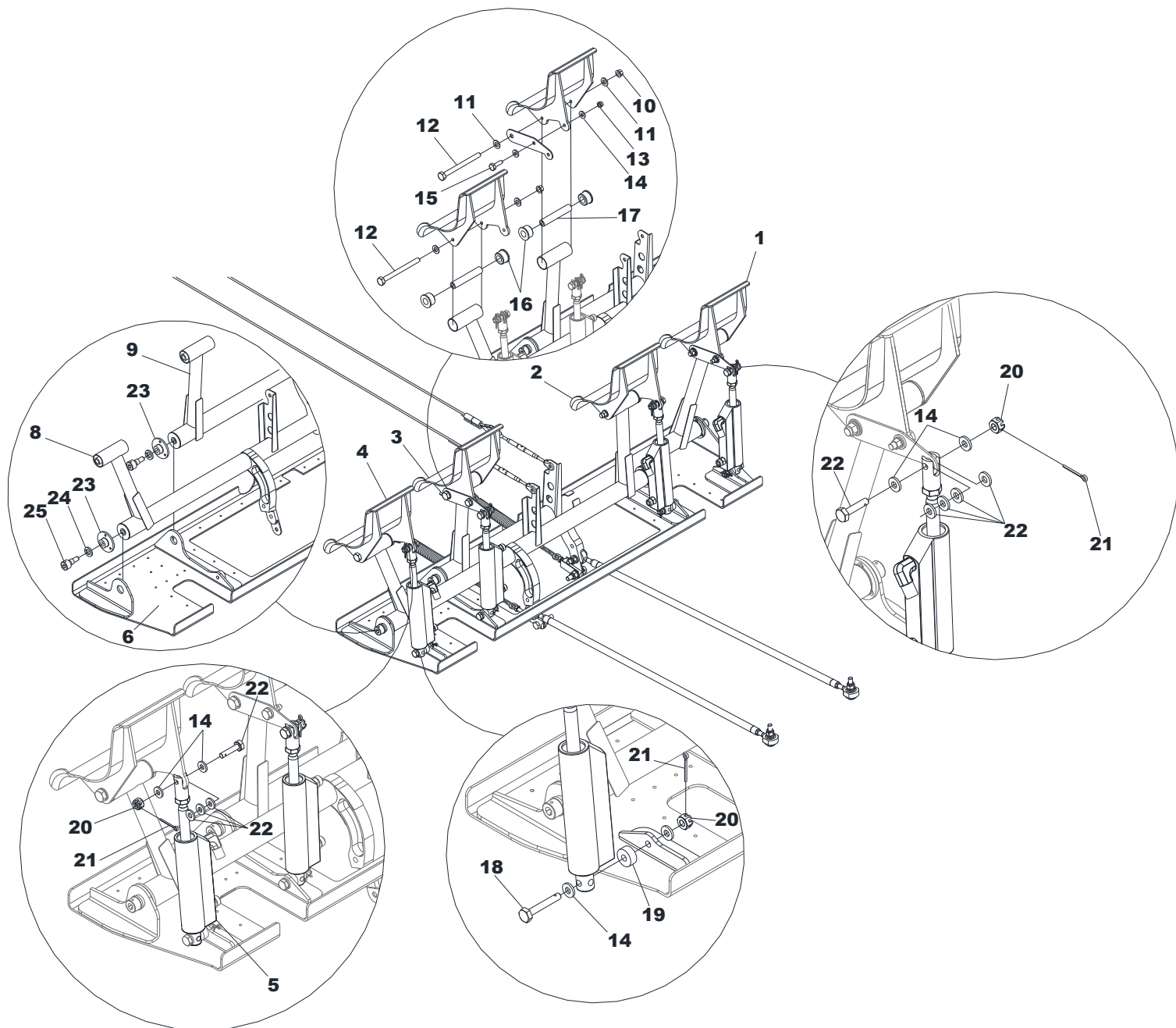


Figure 4 - Detail A (Sheet 1)

Ed. 1 Rev. 0

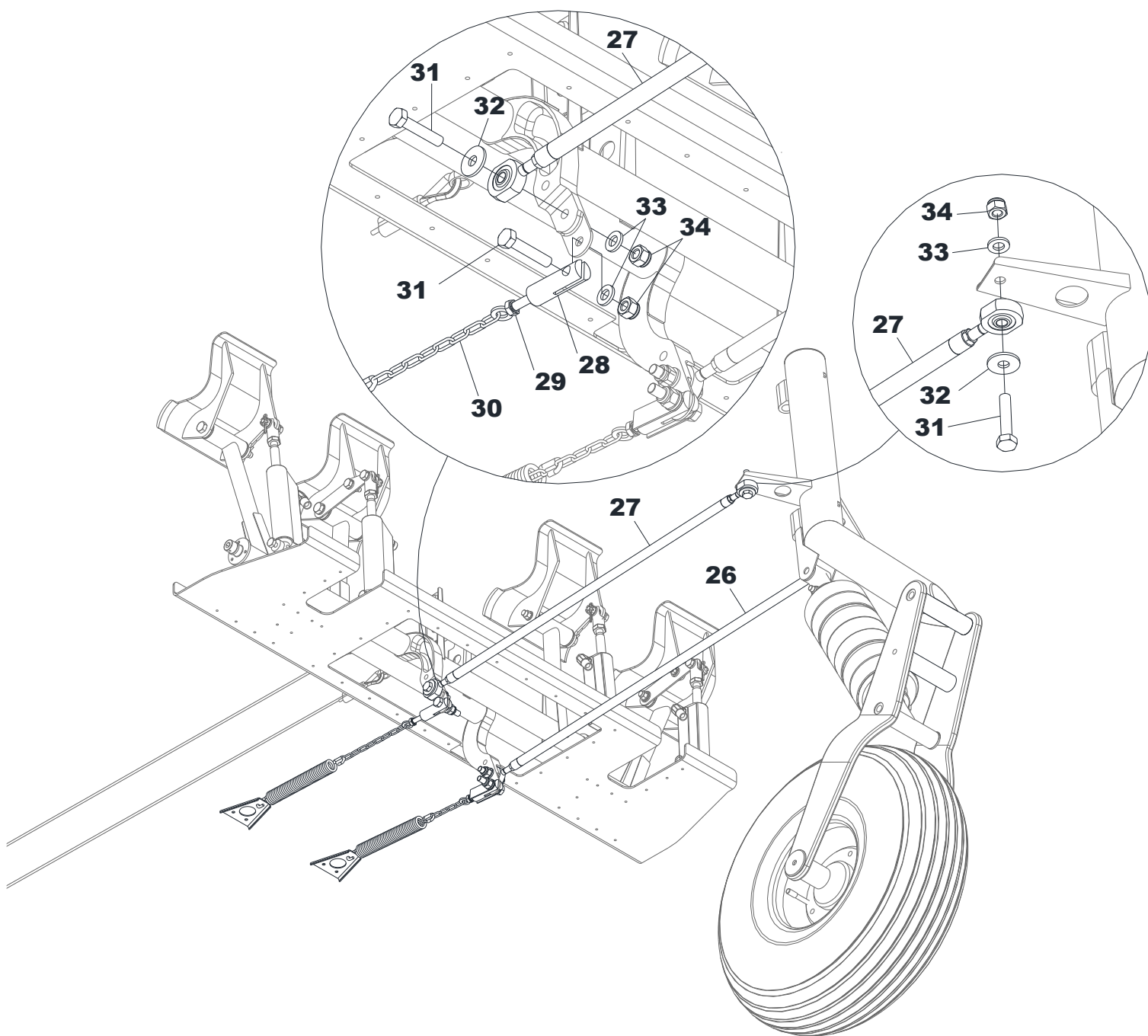


Figure 5 - Detail A (Sheet 2)

Ed. 1 Rev. 0

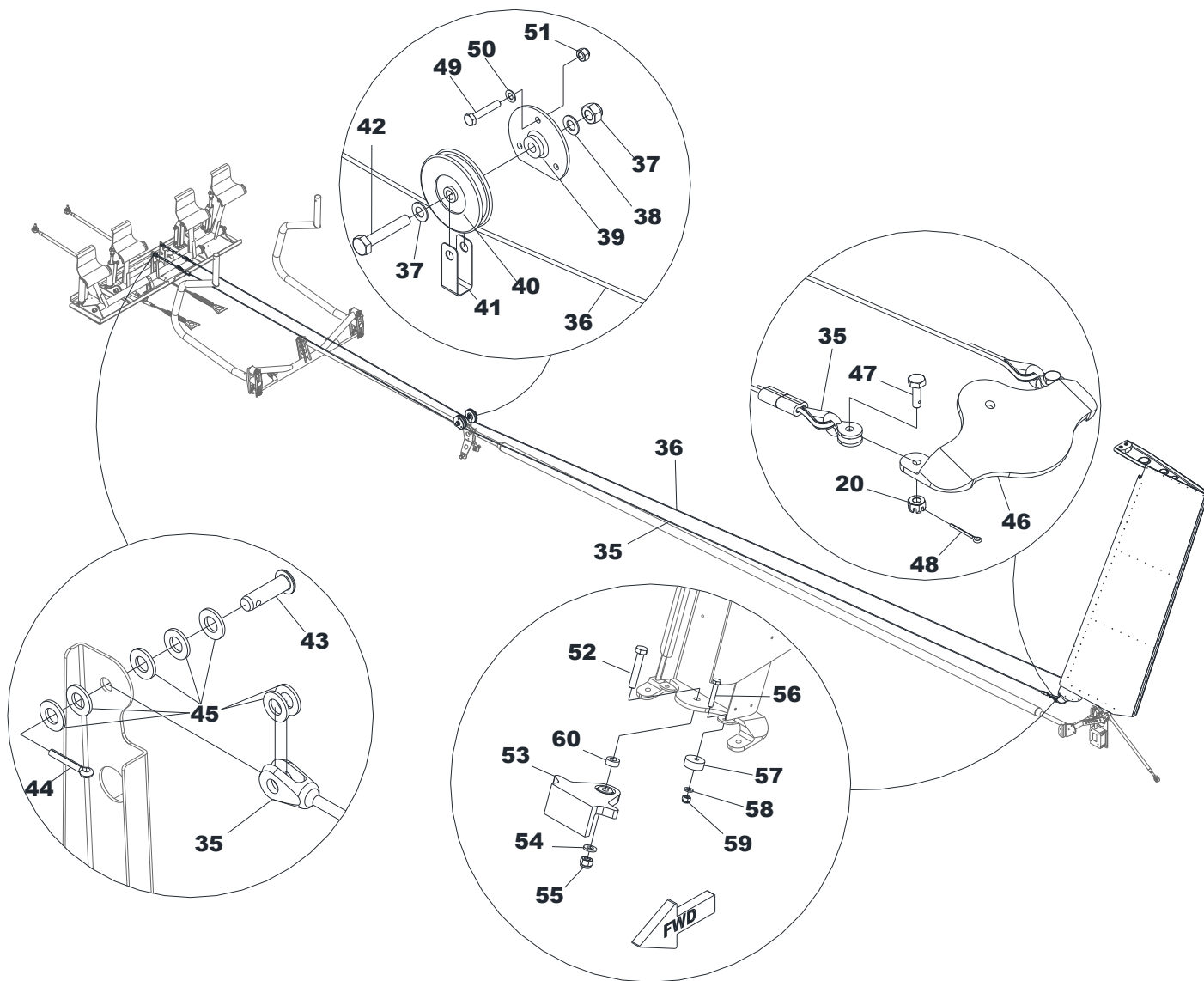


Figure 6 - Rudder control

Ed. 1 Rev. 0

FIG.ITEM		P/N	DESCRIPTION	S/N	Q.ty LH RH	
1		209-5-110-001	LH PEDAL		1	
2		27-5-190-001	RH PEDAL		1	
3		27-5-190-002	LH PEDAL			1
4		209-5-110-002	RH PEDAL			1
5		MC-4	MATCO BRAKE PUMP		2	2
6		218-5-2010-000	PEDALS SUPPORT ASSY			1
8		28-5-1001-001	LH PEDALS ASSY			1
9		28-5-1001-002	RH PEDALS ASSY			1
10		MS21042-4	NUT		2	2
11		NAS114F0463P	WASHER		4	4
12		AN4-27A	BOLT		2	2
13		MS21042-3	NUT		1	1
14		NAS1149F036P	WASHER		6	6
15		AN3-5A	BOLT		1	1
16		26-2-1908-1	BUSHING		4	4
17		26-2-1914-2	SPACER		2	2
18		AN3-12	BOLT		2	2
19		92-5-903-1	SPACER		2	2
20		AN310-3	CASTEL NUT		5	5
21		MS24665-153	COTTER PIN		2	2
22		AN3-7	BOLT		2	2
23		28-5-1010-1	THREADED BUSHING		2	2
24		UNI1751-8	WASHER		2	2
25		92-5-310-7	BOLT		2	2
26		218-5-2030-000	LH CONTROL ROD		1	
27		218-5-2040-000	RH CONTROL ROD			1
28		21-5-320-1	ROD END		1	1
29		21-5-320-002	TURNBUCKLE		1	1
30			PEDAL CHAIN		1	1
31		UNI5737-6-30	BOLT		3	3
32		92-7-303-2	WASHER		2	2
33		UNI6592-6	WASHER		3	3
34		UNI7473-6	STOP NUT		3	3

Ed. 1 Rev. 0

35	218-5-2050-000	LH RUDDER CONTROL CABLE		1	
36	218-5-2060-000	RH RUDDER CONTROL CABLE			1
37	MS21044N4	STOP NUT		1	1
38	AN960-416L	WASHER		2	2
39	218-2-1126-1	PULLEY SUPPORT		1	1
40	MS24566-3B	PULLEY		1	1
41	92-9-917-1	ANTI-DERAILMENT PLATE		1	1
42	AN4-13A	BOLT		1	1
43	MS203922C17	CLEVIS PIN		1	1
44	MS24665-248	COTTER PIN		1	1
45	UNI6592-5	WASHER		7	7
46	218-6-1002-1	LOWER RUDDER CONTROL PLATE			1
47	AN3-5	DRILLED BOLT		1	1
48	MS24665-153	COTTER PIN		1	1
49	UNI5737-4-25	BOLT		3	3
50	UNI6592-4	WASHER		3	3
51	UNI7473-4	STOP NUT		3	3
52	UNI5737-6-35	BOLT			1
53	218-2-1102-000	RUDDER LOWER HINGE			1
54	UNI6592-6	WASHER			1
55	UNI7473-6	STOP NUT			1
56	UNI5737-4-20	BOLT		1	1
57	28-6-1241-1	END STOP		1	1
58	UNI6592-4	WASHER		1	1
59	UNI7474-4	STOP NUT		1	1
60	218-6-9002-1	SPACER BUSH (RDC031-20 ULM)	1616		1



ILLUSTRATED PARTS CATALOGUE



Ed. 1 Rev. 0

INTENTIONALLY LEFT BLANK



ILLUSTRATED PARTS CATALOGUE

*Ag2 Echo
MK2*

Ed. 1 Rev. 0

ELEVATOR AND TAB

Ed. 1 Rev. 0

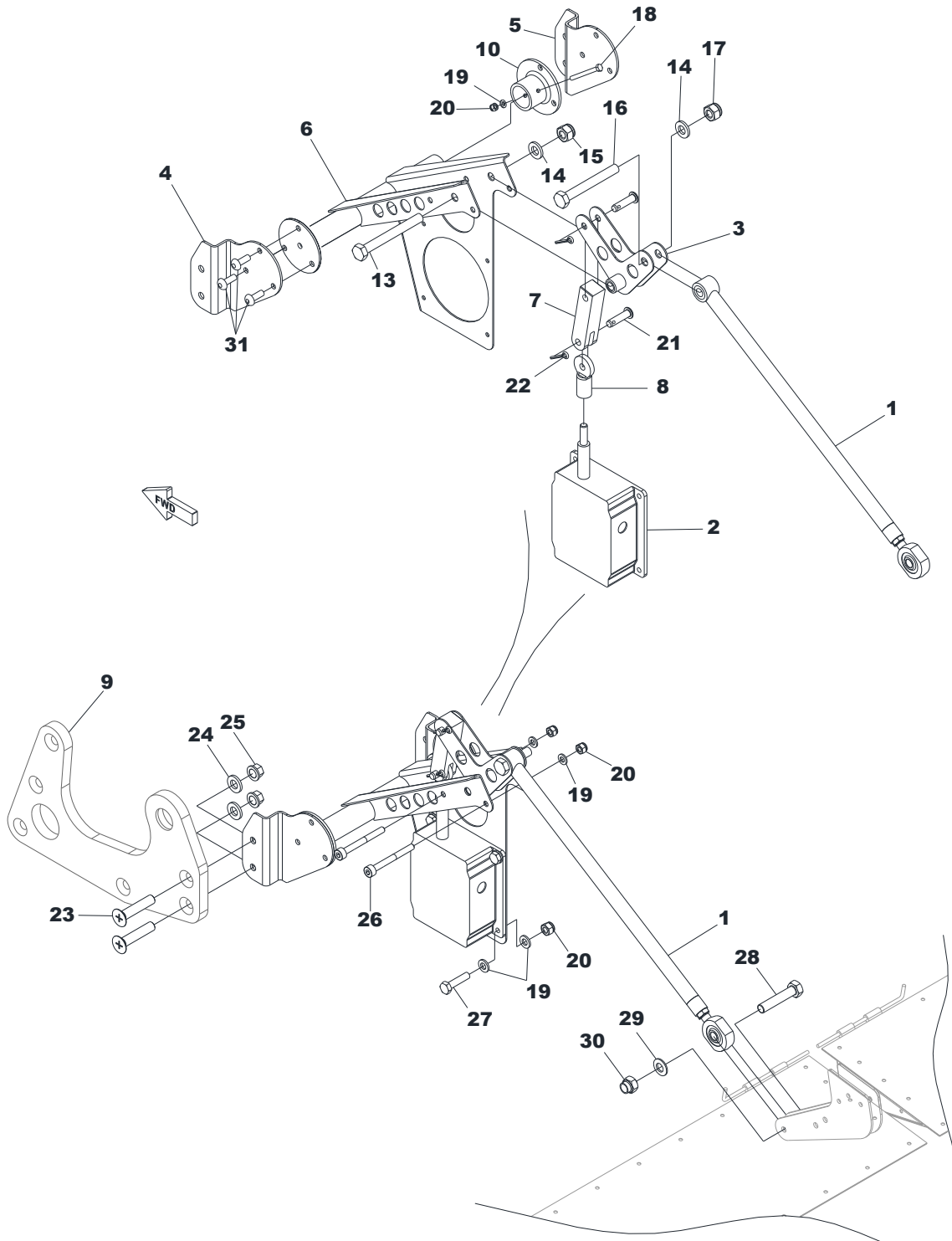


Figure 7 - Tab control

Ed. 1 Rev. 0

FIG.ITEM		P/N	DESCRIPTION	S/N	Q.ty LH RH	
1		218-5-3030-000	TAB CONTROL ROD		1	
2		B6-11T	TRIM ACTUATOR		1	
3		28-5-3450-000	TRIM CONNECTING ROD		1	
4		218-5-3010-1	LH TRIM CONTROL SUPPORT		1	
5		210-5-3010-2	RH TRIM CONTROL SUPPORT			1
6		218-5-3020-000	WELDED TRIM ACTUATOR SUPPORT		1	
8		28-5-3465-1	CONNECTING ROD		1	
9		218-2-1106-001	STABILATOR SUPPORT		1	
10		92-9-340-1	BUSHING			1
11		218-7-1500-001	LH TAB		1	
12		218-7-1500-002	RH TAB			1
13		UNI5737-6-55	BOLT		1	
14		UNI6592-6	WASHER		2	
15		UNI7474-6	STOP NUT		1	
16		UNI5737-6-35	BOLT		1	
17		UNI7473-6	STOP NUT		1	
18		UNI5737-4-30	BOLT		1	
19		UNI6592-4	WASHER		11	
20		UNI7473-4	STOP NUT		7	
21		MS20392-2C19	CLEVIS PIN		2	
22		MS24665-132	COTTER PIN		2	
23		MS24694-S106	SCREW		2	2
24		AN960-416	WASHER		2	2
25		MS21042-4	STOP NUT		2	2
26		UNI5931-4-45	HEX SOCKET SCREW		2	
27		UNI5739-4-16	BOLT		4	
28		UNI5737-5-30	BOLT		1	
29		UNI6592-5	WASHER		1	
30		UNI7473-5	STOP NUT		1	
31		NAS1097AD4-5	SOLID RIVET		6	



ILLUSTRATED PARTS CATALOGUE

*Ag2 Echo
MK2*

Ed. 1 Rev. 0

INTENTIONALLY LEFT BLANK



ILLUSTRATED PARTS CATALOGUE



Ed. 1 Rev. 0

HORIZONTAL STABILIZER / STABILATOR

Ed. 1 Rev. 0



Figure 8 - Stabilator And Tab Controls General View

Ed. 1 Rev. 0

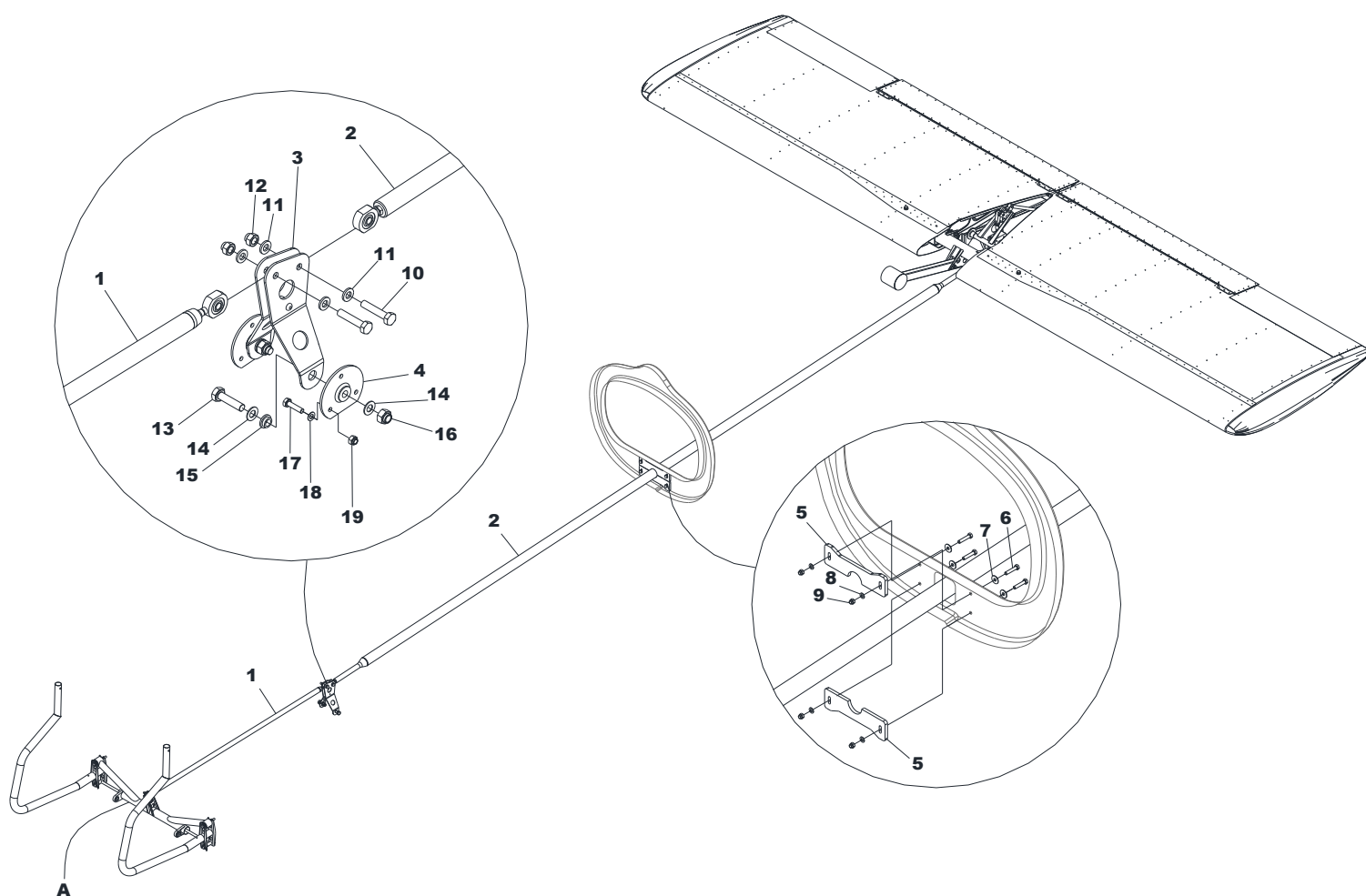


Figure 9 - Stabilator And Tab Controls

Ed. 1 Rev. 0

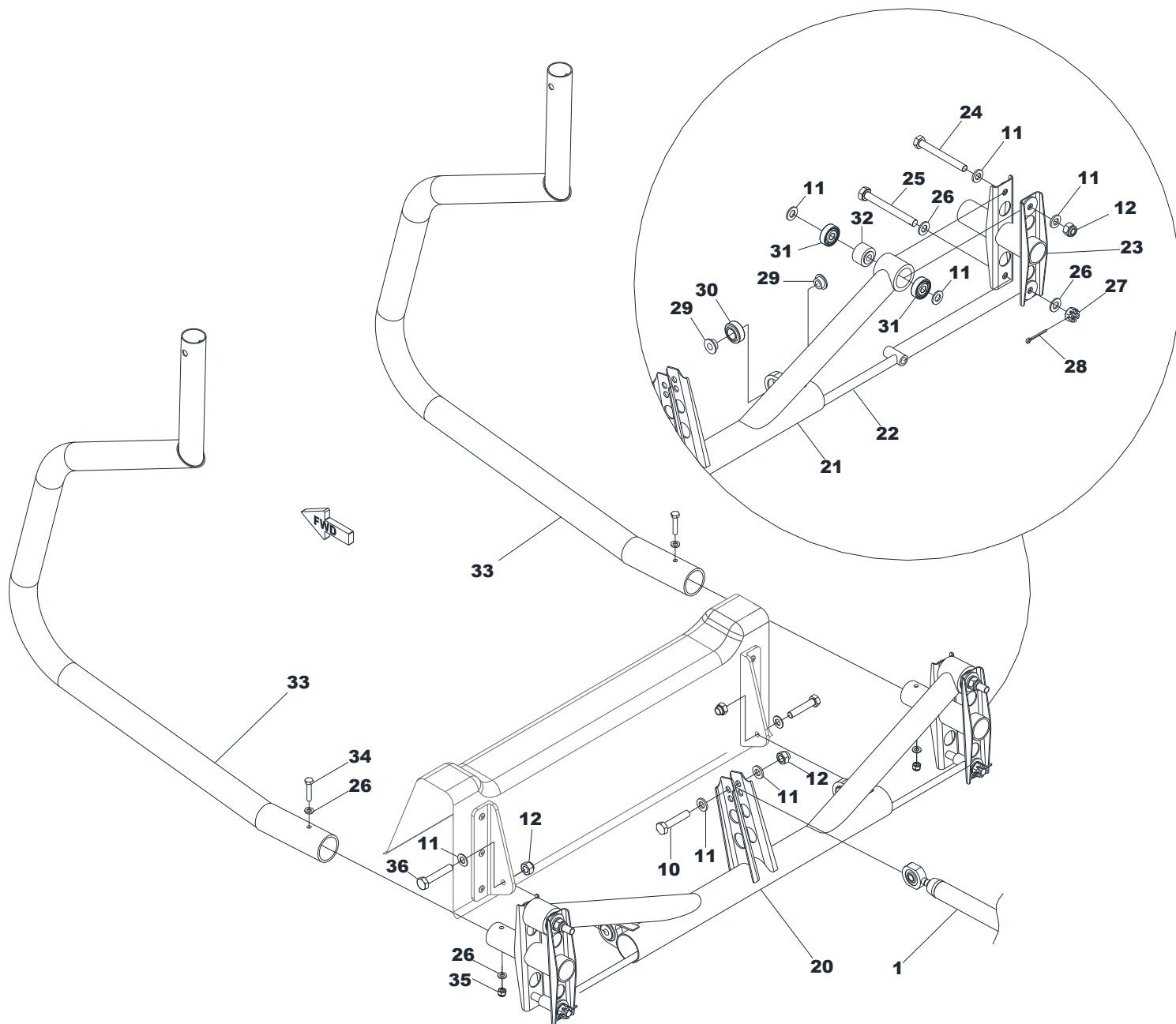


Figure 10 - Stick Assy (DETAIL A)

Ed. 1 Rev. 0

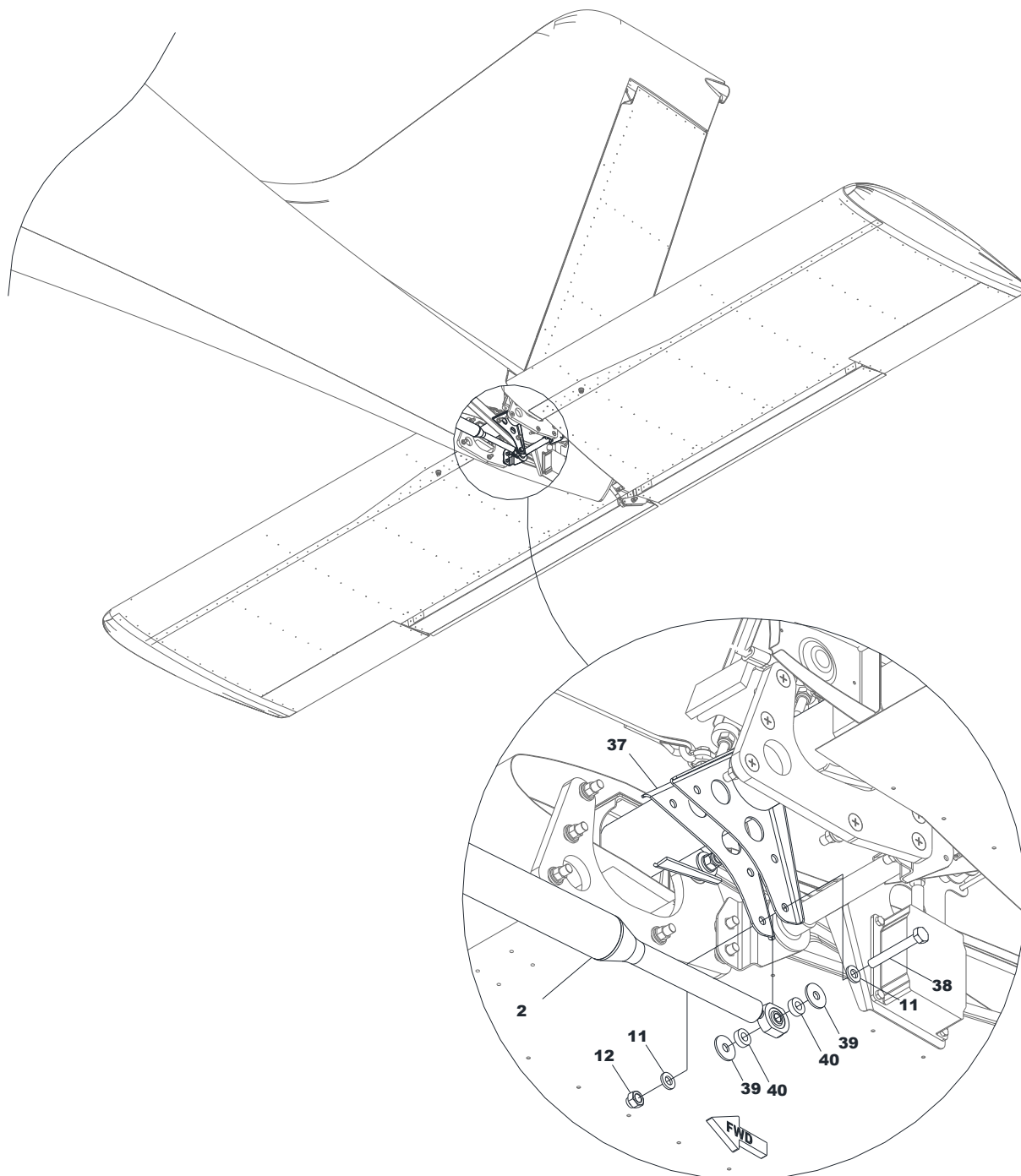


Figure 11 - Stabilator control

Ed. 1 Rev. 0

FIG.ITEM		P/N	DESCRIPTION	S/N	Q.ty LH RH	
1		218-5-4010-000	FWD CONTROL ROD ASSY		1	
2		218-5-4030-000	RWD CONTROL ROD ASSY		1	
3		218-5-4020-000	BELLCRANK LEVER ASSY		1	
4		218-2-1126-1	BELLCRANK SUPPORT		1	1
5		28-5-4030-2	CONTROL ROD GUIDE		2	
6		UNI5737-5-25	BOLT		2	2
7		UNI6593-5	WASHER		2	2
8		UNI6592-5	WASHER		2	2
9		UNI7473-5	STOP NUT		2	2
10		UNI5737-6-30	BOLT		3	
11		UNI6592-6	WASHER		18	
12		UNI7473-6	STOP NUT		7	
13		AN4-10A	BOLT		1	1
14		AN960-416L	WASHER		2	2
15		218-5-4024-1	BUSHING		1	1
16		MS21044N4	STOP NUT		1	1
17		UNI5737-4-25	BOLT		3	3
18		UNI6592-4	WASHER		3	3
19		UNI7474-4	STOP NUT		3	3
20		28-5-2500-000	STICK ASSY		1	
21		28-5-3000-000	WELDED STICK PART		1	
22		28-5-3070-000	INTERNAL ROD		1	
23		92-4-200-000	CLOCHE ATTACK ASSY		1	1
24		UNI5737-6-55	BOLT		2	1
25		AN4-16	DRILLED BOLT		1	1
26		NAS1149F0463P	WASHER		4	4
27		AN310-4	CASTEL NUT		1	1
28		MS24665-153	COTTER PIN		1	1
29		92-3-531-1	BUSHING		2	2
30		GE 10E	SPHERICAL BEARING		1	1
31		SKF 626	BEARING		2	2
32		24-5-500-2	SPACER		1	1

**ILLUSTRATED PARTS
CATALOGUE***Ag2 Echo
MK2*

Ed. 1 Rev. 0

33	92-4-300-000	CLOCHE		1	1
34	AN4-13A	BOLT		1	1
35	MS21042-4	STOP NUT		1	1
36	UNI5737-6-35	BOLT		1	1
37	218-7-1010-000	TORQUE TUBE		1	
38	UNI5737-6-45	BOLT		1	
39	92-2-850-4	WASHER		1	1
40	218-6-9002-1	SPACER		1	1



ILLUSTRATED PARTS CATALOGUE

*Ag2Echo
MK2*

Ed. 1 Rev. 0

INTENTIONALLY LEFT BLANK



ILLUSTRATED PARTS CATALOGUE



Ed. 1 Rev. 0

FLAPS

Ed. 1 Rev. 0

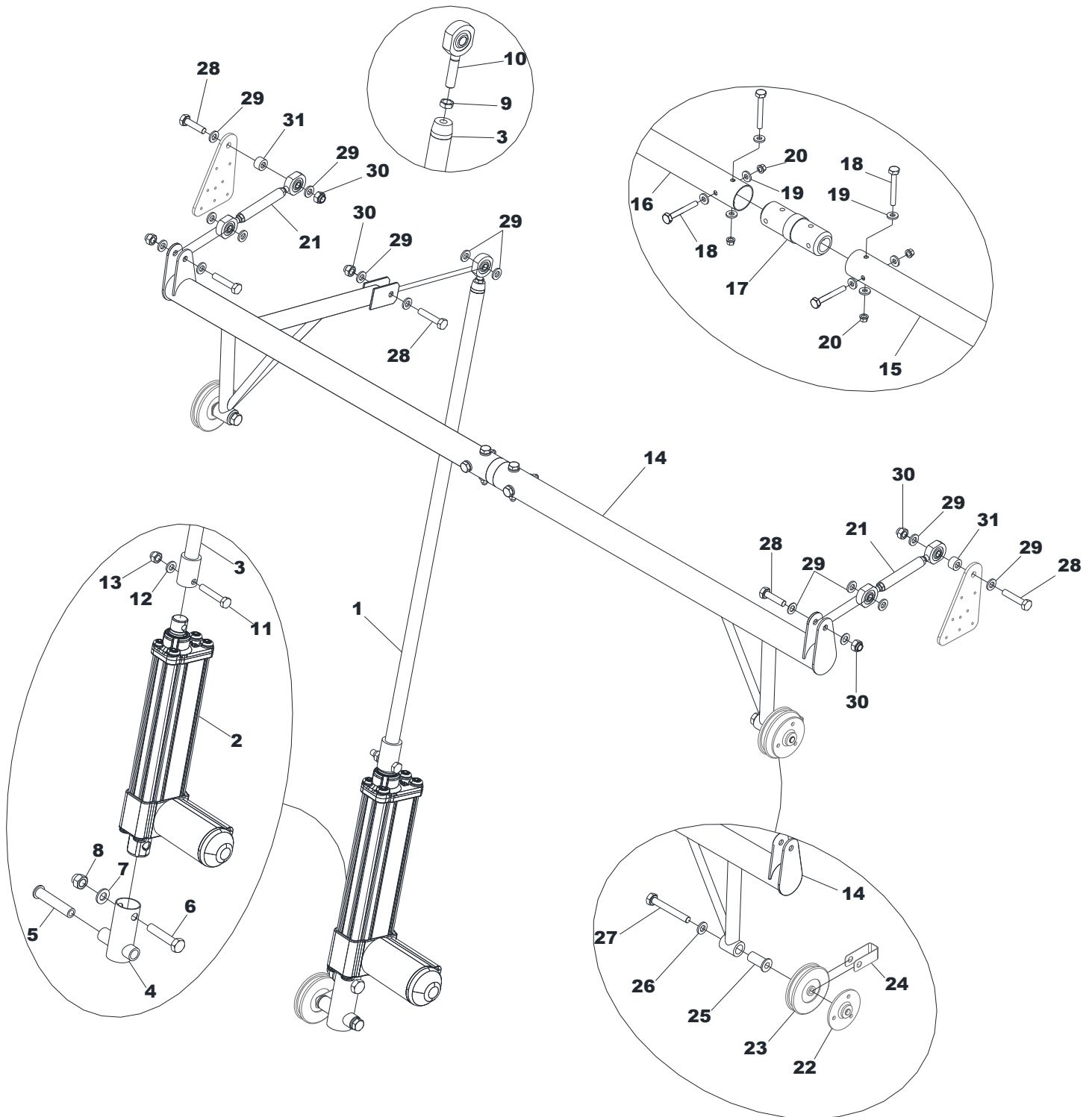


Figure 12 - Flaps control installation

Ed. 1 Rev. 0

FIG.ITEM		P/N	DESCRIPTION	S/N	Q.ty LH RH	
	1	218-5-5040-000	ACTUATOR ASSY			1
	2	A0-01/M	ACTUATOR			1
	3	21-9-310-002	ACTUATOR ROD			1
	4	218-5-5042-1	LOWER ATTACHING POINT			1
	5	218-5-5046-1	BUSHING			1
	6	UNI5737-8-40	BOLT			1
	7	UNI6592-8	WASHER			1
	8	UNI7473-8	STOP NUT			1
	9	UNI5589-6	NUT			1
	10	SAKAC M6	UNIBALL			1
	11	UNI5737-6-35	BOLT			1
	12	UNI6592-6	WASHER			1
	13	UNI7473-6	STOP NUT			1
14		218-5-5010-000	TORQUE TUBE ASSY			1
	15	218-5-5010-001	TORQUE TUBE LH ASSY		1	
	16	218-5-5010-002	TORQUE TUBE RH ASSY			1
	17	218-5-5028-1	UNION			1
	18	AN3-14A	BOLT		2	2
	19	AN960-10	WASHER		4	4
	20	MS21042-3	STOP NUT		2	2
21		218-5-5050-000	FLAP CONTROL ROD ASSY		1	1
22		218-2-1124-1	PULLEY SUPPORT		1	1
23		MS24566-3B	PULLEY		1	1
24		92-9-917-1	ANTI-DERAILMENT		1	1
25		218-5-5038-1	BUSHING		1	1
26		AN960-416	WASHER		1	1
27		AN4-17A	BOLT		1	1
28		UNI5737-6-35	BOLT		2	3
29		UNI6592-6	WASHER		6	10
30		UNI 7473-6	STOP NUT		2	3
31		218-6-9002-1	SPACER		1	1



ILLUSTRATED PARTS CATALOGUE



Ed. 1 Rev. 0

INTENTIONALLY LEFT BLANK



ILLUSTRATED PARTS CATALOGUE



Ed. 1 Rev. 0

ATA 28 FUEL



ILLUSTRATED PARTS CATALOGUE



Ed. 1 Rev. 0

28. FUEL

-10. STORAGE.....	3
-20. DISTRIBUTION – DRAIN VALVES	7
-40. INDICATING	13



ILLUSTRATED PARTS CATALOGUE



Ed. 1 Rev. 0

STORAGE

Ed. 1 Rev. 0

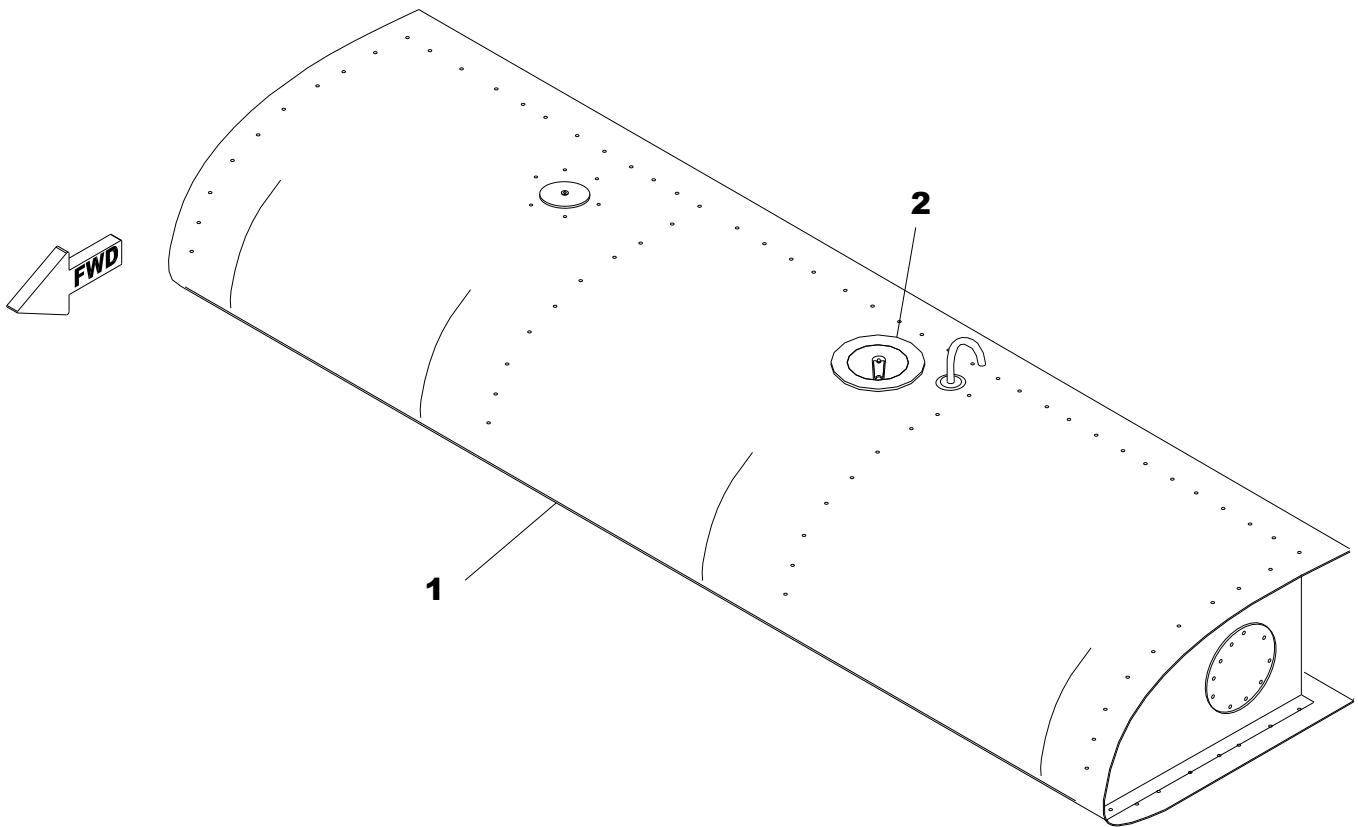


Figure 1 - Fuel tank

**ILLUSTRATED PARTS
CATALOGUE***Ag2 Echo
MK2*

Ed. 1 Rev. 0

FIG.ITEM		P/N	DESCRIPTION	S/N	Q.ty LH RH	
	1	21-1-340-001	FUEL TANK ASSY LH		1	
		21-1-340-002	FUEL TANK ASSY RH			1
	2	SPRL-65-L	FUEL FILLER CAP		1	1



ILLUSTRATED PARTS CATALOGUE



Ed. 1 Rev. 0

INTENTIONALLY LEFT BLANK



ILLUSTRATED PARTS CATALOGUE



Ed. 1 Rev. 0

DISTRIBUTION – DRAIN VALVES

Ed. 1 Rev. 0

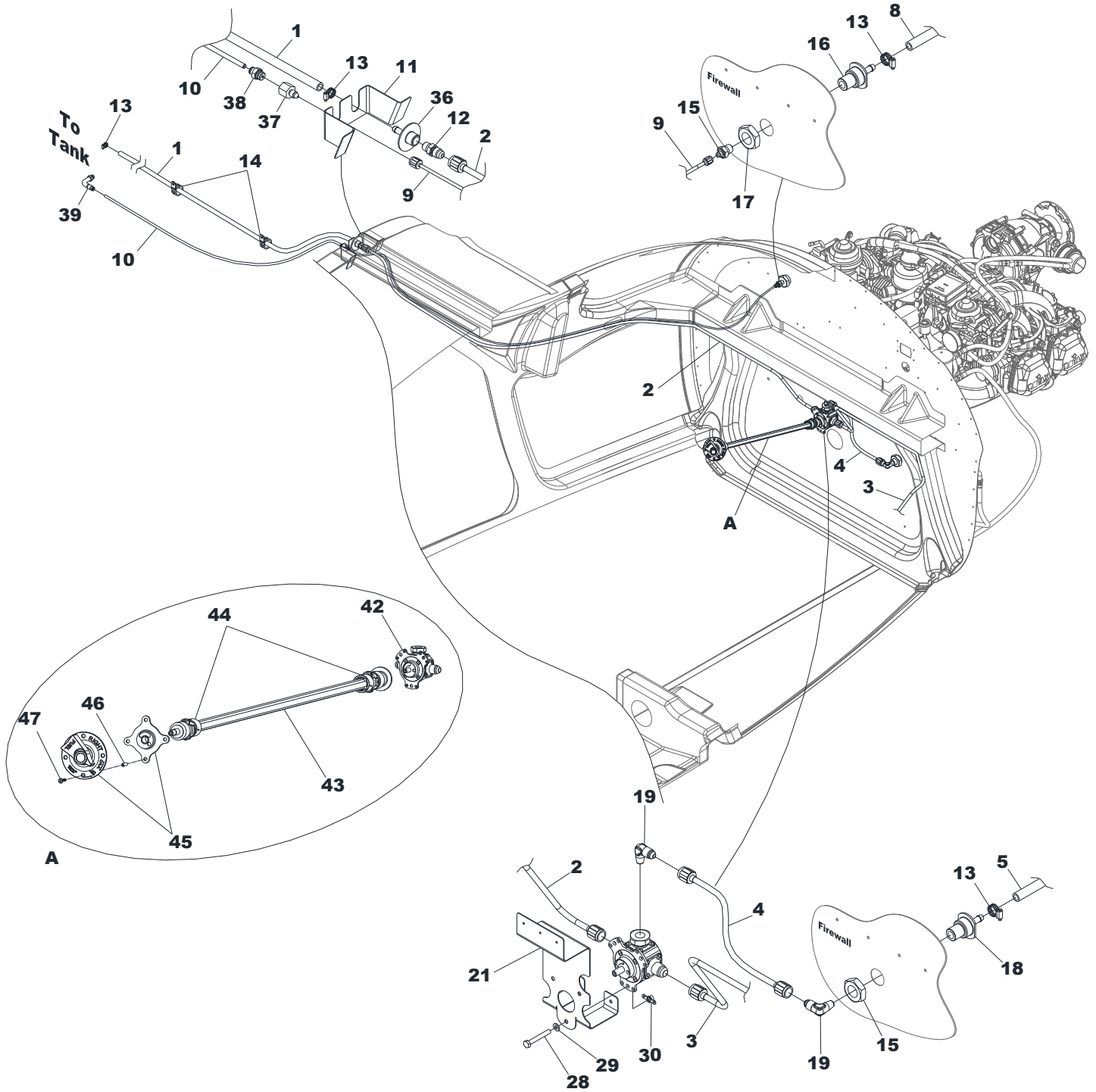


Figure 2 – Fuel system (Inside)

Ed. 1 Rev. 0

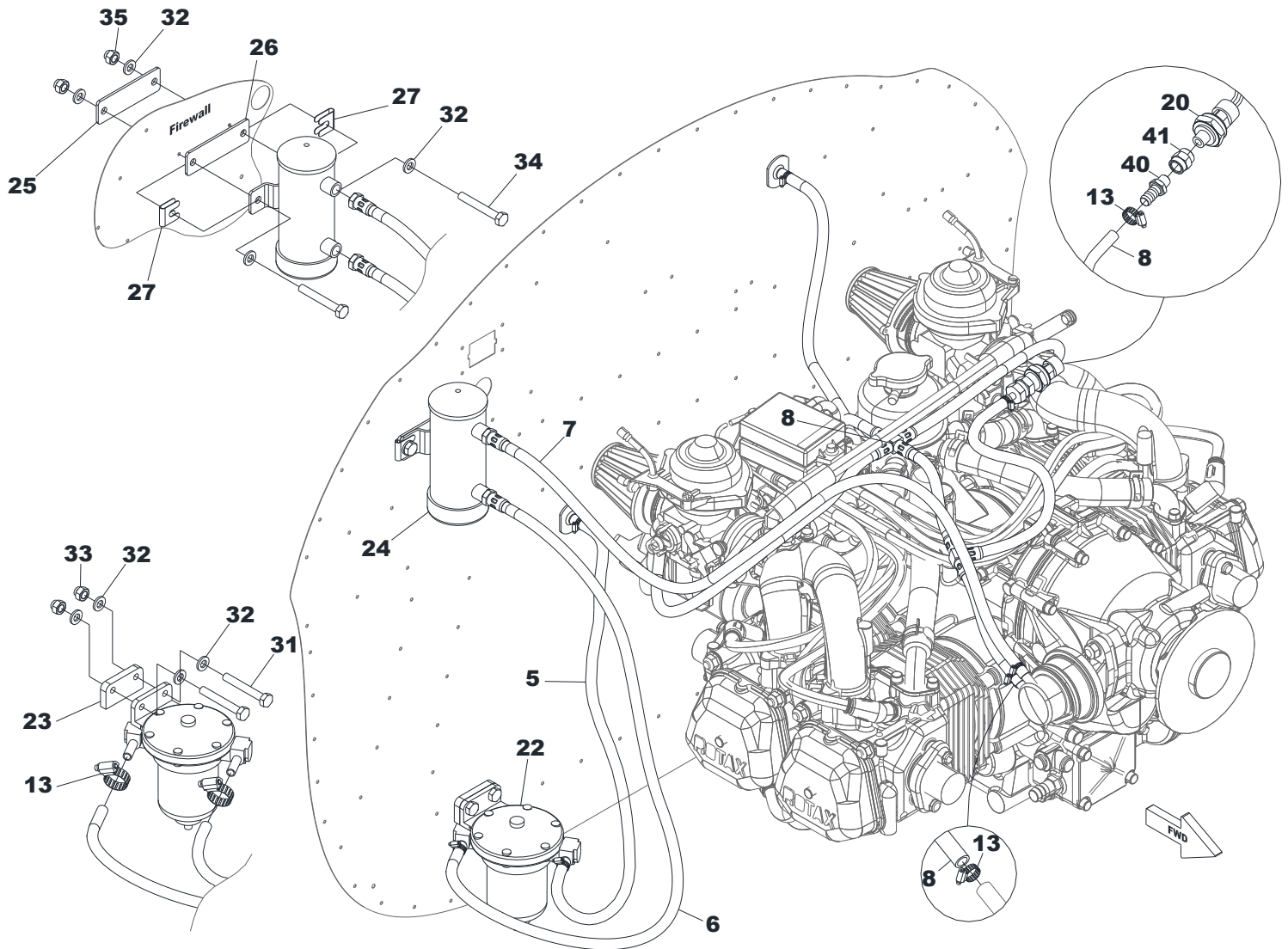


Figure 3 – Fuel system (Cowling side)

Ed. 1 Rev. 0

FIG.ITEM		P/N	DESCRIPTION	S/N	Q.ty LH RH	
1		218-9-1002-001	WING TO FUSELAGE TUBE LH		1	
		218-9-1002-002	WING TO FUSELAGE TUBE RH			1
2		218-9-1004-001	FUSELAGE TO VALVE ANDAIRE TUBE ASSY LH		1	
3		218-9-1004-002	FUSELAGE TO VALVE ANDAIRE TUBE ASSY RH			1
4		218-9-1006-000	VALVE ANDAIRE TO FIREWALL TUBE ASSY		1	
5		218-9-1008-1	FIREWALL TO GASCOLATOR TUBE		1	
6		218-9-1010-000	GASCOLATOR TO ELECTRIC PUMP HOSE ASSY		1	
7		218-9-1012-000	ELECTRIC PUMP TO MECHANIC PUMP TUBE ASSY		1	
8		218-9-1020-000	ENGINE TUBES ASSY		1	
9		218-9-1032-000	RETURN HOSE ASSY (FROM FIREWALL TO FUSELAGE)		1	
10		218-9-1032-1	RETURN HOSE (FROM FUSELAGE TO TANK)		1	
11		218-2-1134-1	FUEL TUBES SUPPORT		1	
12		AN816-4D	FITTING		1	
13		05391812	8-12 CLAMP		9	
14		MS21919WDG12	WDG CLAMP		2	2
15		AN816-2D	FITTING		1	
16		92-9-402-2	BULKHEAD (RETURN)		1	
17		242871	NUT		2	
18		92-9-402-3	BULKHEAD (MAIN)		1	
19		AN822-4D	FITTING		2	
20		P4055-15G	FUEL PRESSURE SENSOR (IN REF. TO ATA 77)		1	
21		218-2-1132-1	ANDAIR VALVE SUPPORT		1	
22		010301111	GASCOLATOR		1	
23		218-9-1050-1	GASCOLATOR THICKNESS		1	
24		478360	FUEL PUMP (FACET)		1	
25		21-11-344-2	FUEL PUMP THICKNESS		1	
26		21-11-344-3	LEXAN SHIM		1	
27		22-9-140-1	FORK		2	
28		AN3-4A	BOLT		3	
29		AN960-10	WASHER		3	
30		MS21047L3	ANCOR NUT		3	
31		UNI5737-6-25	BOLT		2	
32		UNI6592-6	WASHER		4	

Ed. 1 Rev. 0

	33		UNI7473-6	STOP NUT			2
	34		UNI5739-6-20	BOLT			2
	35		UNI7474-6	STOP NUT			2
	36		92-11-991-2	BULKHEAD			1
	37		21-11-332-1	FITTING			1
	38		S6510-4-1/8	SUPER RAPID FITTING			1
	39		S6520-4-1/8	SUPER RAPID L FITTING (TANK)			1
	40		3040-9-1/8	FITTING			1
	41		2543-1/8	JOINT			1
	A		EFS20X2-LAL-2UJ-HP15	FUEL SELECTOR KIT			1
		42	FS20X2-LAL	SELECTOR VALVE WITH LEVER			1
		43	ET-36	EXTENSION ROD			1
		44	UJA2	UNIVERSAL JOINT			2
		45	EX-15	LEVER KIT ONLY			1
		46	UNI9201-3	RIVNUT			4
		47	UNI7689-3-12	SCREW			4



ILLUSTRATED PARTS CATALOGUE

*Ag2Echo
MK2*

Ed. 1 Rev. 0

INTENTIONALLY LEFT BLANK



ILLUSTRATED PARTS CATALOGUE



Ed. 1 Rev. 0

INDICATING

Ed. 1 Rev. 0

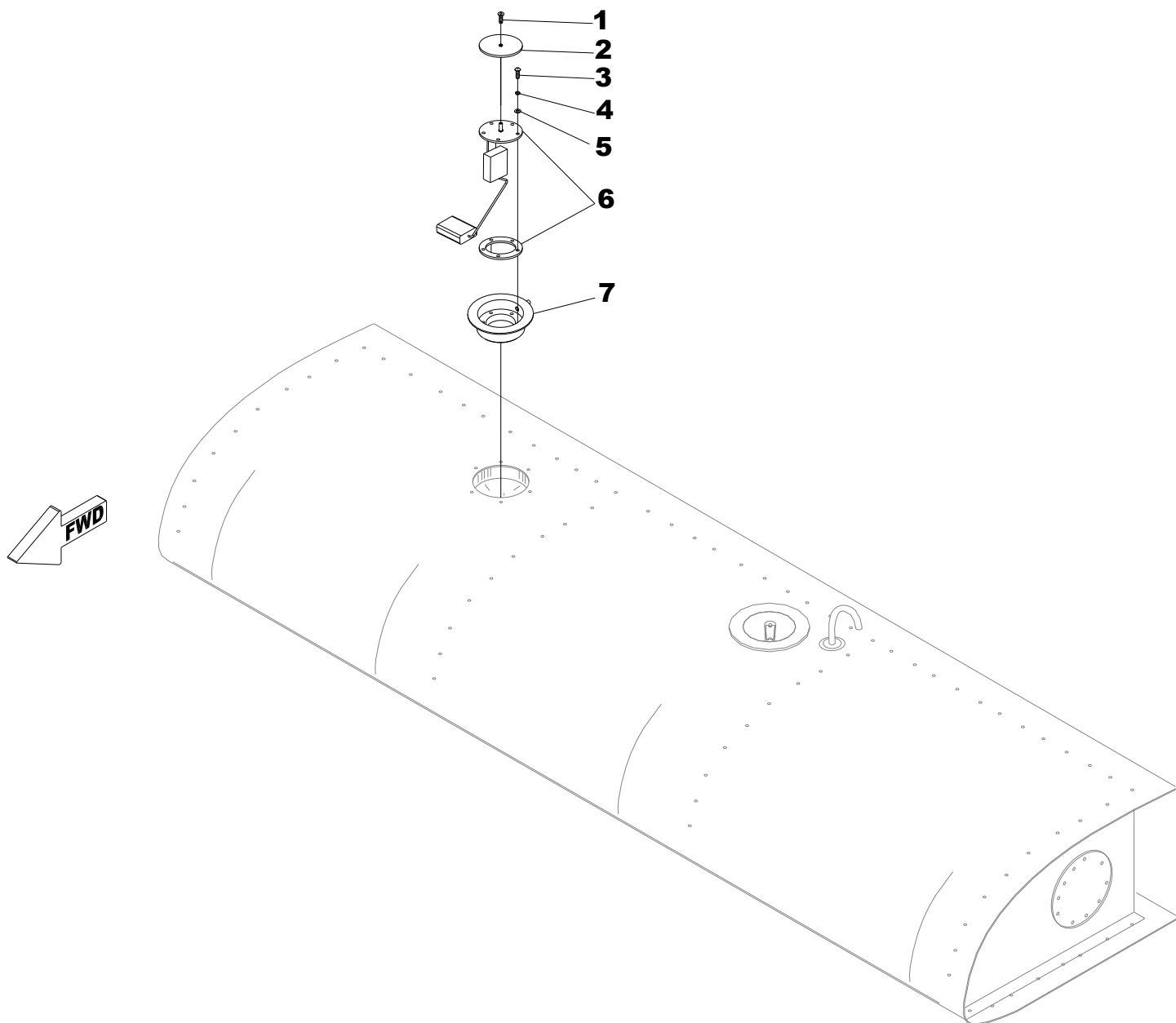


Figure 4 - Televel installation



ILLUSTRATED PARTS CATALOGUE

*Ag2 Echo
MK2*

Ed. 1 Rev. 0

FIG.ITEM		P/N	DESCRIPTION	S/N	Q.ty LH RH	
1		UNI7687-4-6	SCREW		1	1
2		96-1-610-2	TELEVEL CAP		1	1
3		UNI7048-4-12	SCREW		5	5
4		UNI1751-B	GROWER		5	5
5		BACW10BP3NDP	WASHER		5	5
6		FA10.3008.02	TELEVEL LH		1	
		FA10.3012.02	TELEVEL RH			1
7		96-1-610-1	FLANGE		1	1



ILLUSTRATED PARTS CATALOGUE



Ed. 1 Rev. 0

INTENTIONALLY LEFT BLANK



ILLUSTRATED PARTS CATALOGUE



Ed. 1 Rev. 0

ATA 31 INDICATING/RECORDING SYSTEM



ILLUSTRATED PARTS CATALOGUE



Ed. 1 Rev. 0

31. INDICATING/RECORDING SYSTEM

-10. INSTRUMENT AND CONTROL PANEL.....	3
-60. CENTRAL DISPLAY SYSTEMS	9



ILLUSTRATED PARTS CATALOGUE



Ed. 1 Rev. 0

INSTRUMENT AND CONTROL PANEL

Ed. 1 Rev. 0

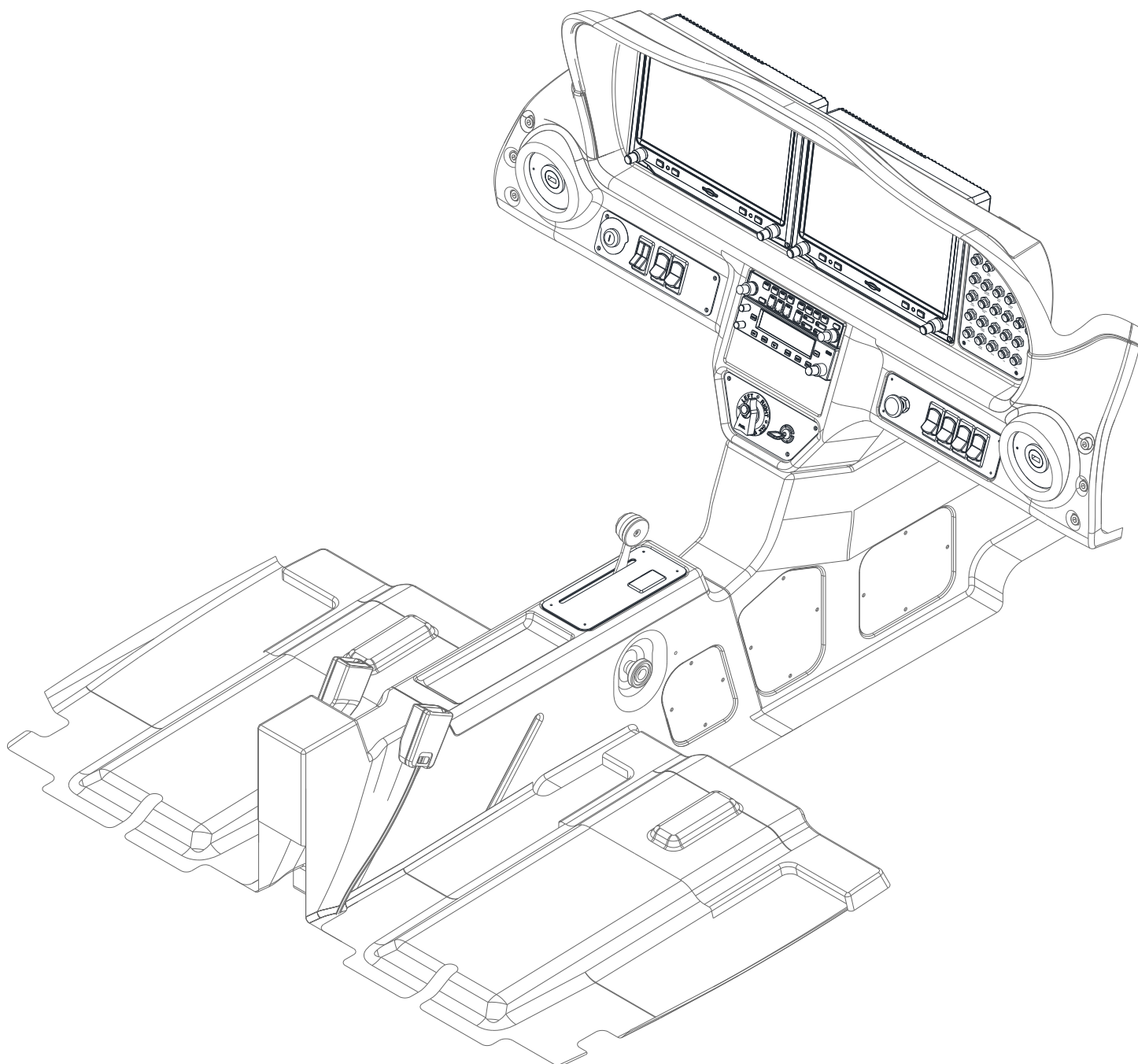


Figure 1 – Instrument panel general view

Ed. 1 Rev. 0

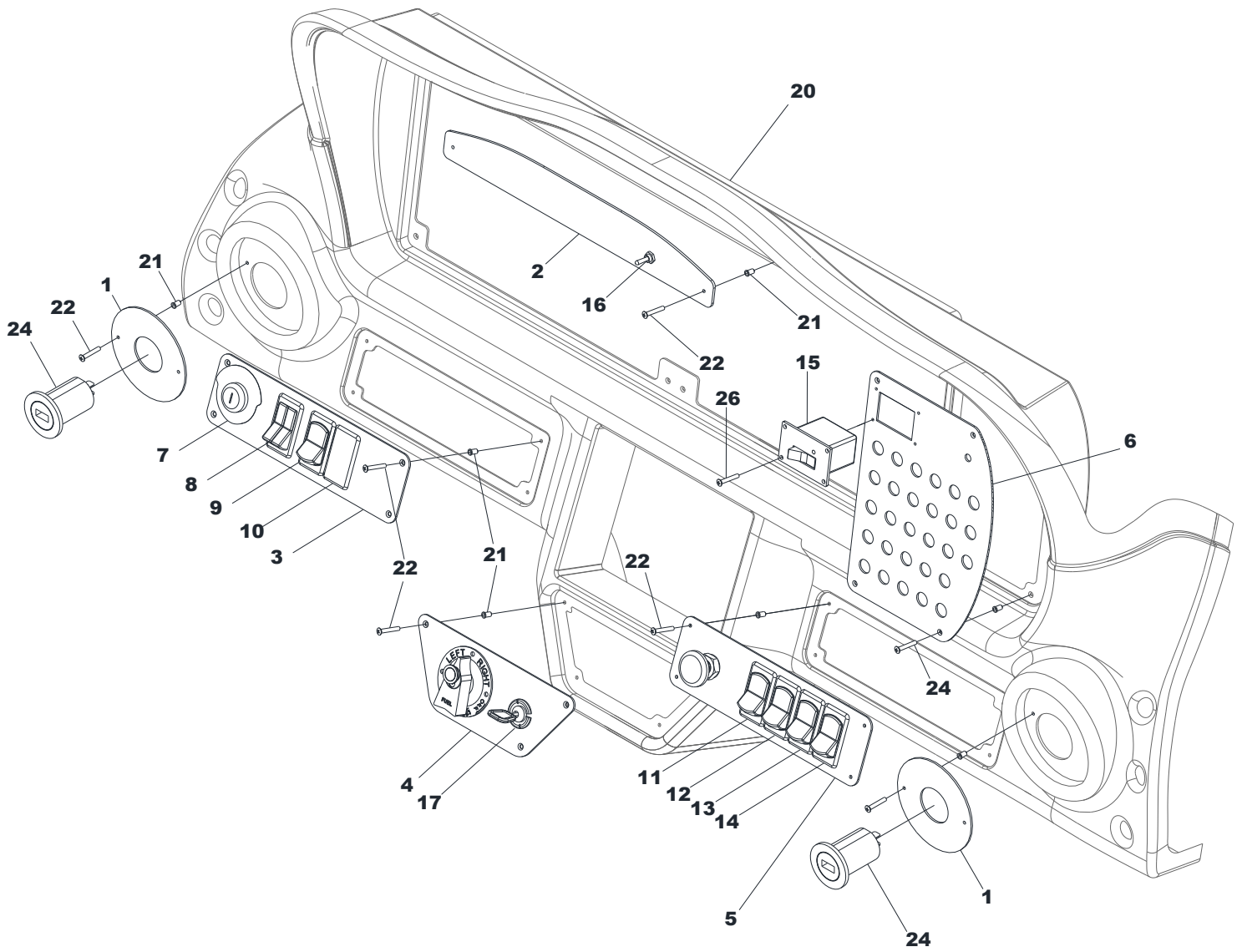


Figure 2 - Front panel

Ed. 1 Rev. 0

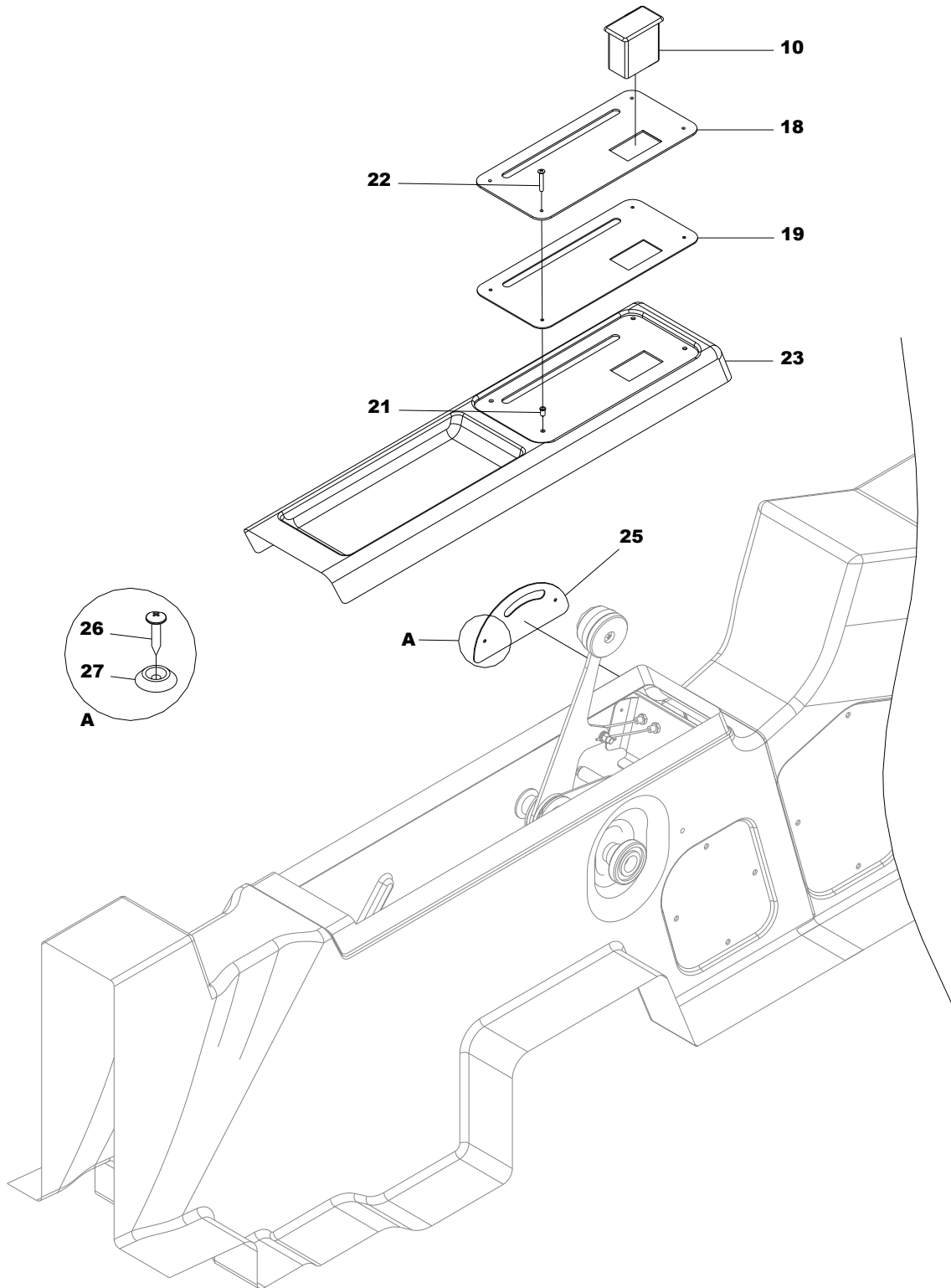


Figure 3 - Central pedestal panel

FIG.ITEM		P/N	DESCRIPTION	S/N	Q.ty LH RH	
1		218-12-1114-1	USB PANEL		1	1
2		218-12-1116-000	ANNUNCIATOR PANEL (DIGITAL VERSION)		1	
3		218-12-1108-1	LH PANEL		1	
4		218-12-1106-2	CENTRAL FORWARD PANEL		1	
5		218-12-1114-1	RH PANEL		1	
6		218-12-1104-000	BREAKER PANEL		1	
7		11-03170	IGNITION SWITCH A510-2		1	
8		11-15900	GENERATOR SWITCH		1	
9		16-705-10313	FUEL PUMP SWITCH CASE		1	
		16.0702.B423.01	FUEL PUMP SWITCH BUTTON		1	
10		16-700-004-02	PLUG		2	
11		16-705-10313	AVIONIC MASTER SWITCH CASE		1	
		16.0702.B455.01	AVIONIC MASTER SWITCH BUTTON		1	
12		16-705-10313	STROBE SWITCH CASE		1	
		16.0702.B422.01	STROBE SWITCH BUTTON		1	
13		16-705-10313	LANDING LIGHT SWITCH CASE		1	
		16.0702.B424.01	LANDING LIGHT SWITCH BUTTON		1	
14		16-705-10313	NAV. SWITCH CASE		1	
		16.0702.B425.01	NAV. SWITCH BUTTON		1	
15		S1820513-11	ELT REMOTE CONTROL PANEL RC200		1	
16		394-475	TRIM SWITCH		1	
17		037B	FLAP SWITCH		1	
18		218-12-1040-000	TROTTLE PLATE		1	
19		218-12-1042-1	TROTTLE PLATE (TEFLON)		1	
20		218-12-1002-1	DASHBOARD		1	
21		UNI9201-3	RIVNUT		28	
22		DIN965-3-12	SCREW		28	
23		218-12-1008-1	CENTRAL PEDESTAL COVER		1	
24		A13-194A-BB3	USB CHARGER		1	
25		28-12-6037-1	PARKING BRAKE PANEL		1	
26		UNI6954-2.9-13	SCREW		6	
27		OT63	WASHER		2	



ILLUSTRATED PARTS CATALOGUE



Ed. 1 Rev. 0

INTENTIONALLY LEFT BLANK



ILLUSTRATED PARTS CATALOGUE



Ed. 1 Rev. 0

CENTRAL DISPLAY SYSTEMS

Ed. 1 Rev. 0

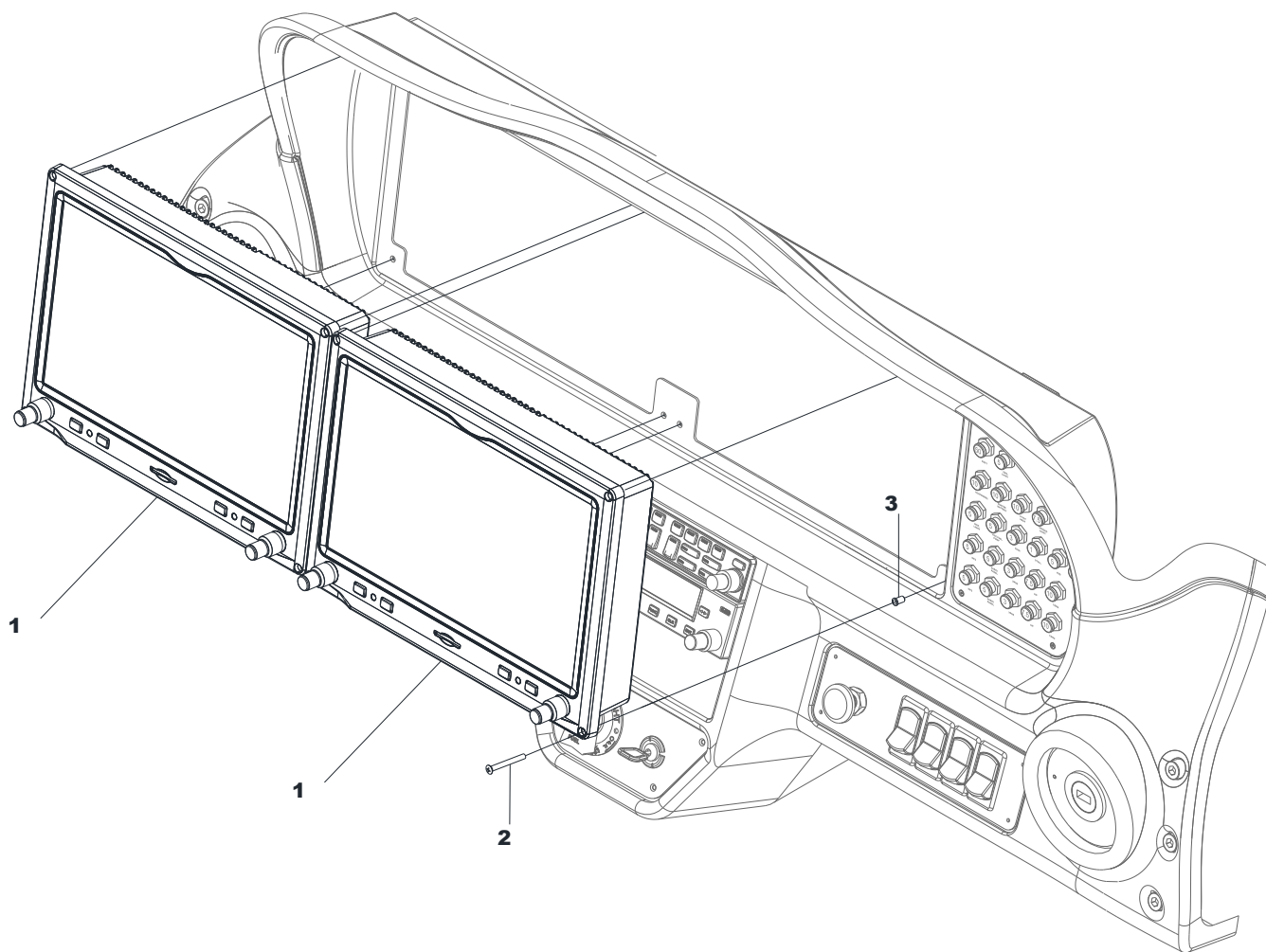


Figure 4 - Central display installation

**ILLUSTRATED PARTS
CATALOGUE***Ag2 Echo
MK2*

Ed. 1 Rev. 0

FIG.ITEM		P/N	DESCRIPTION	S/N	Q.ty LH RH	
1		010-01057-00	GDU 460 DISPLAY		1	1
2		UNI7689-3-20	SCREW		8	
3		UNI9201-3	RIVNUT		8	



ILLUSTRATED PARTS CATALOGUE



Ed. 1 Rev. 0

INTENTIONALLY LEFT BLANK



ILLUSTRATED PARTS CATALOGUE

Ag2Echo
MK2

Ed. 1 Rev. 0

ATA 32 LANDING GEAR



ILLUSTRATED PARTS CATALOGUE



Ed. 1 Rev. 0

32. Landing Gear

-00. GENERAL.....	3
-10. MAIN GEAR AND DOORS.....	7
-20. NOSE GEAR / TAIL GEAR AND DOORS	13
-40. WHEELS AND BRAKES.....	19



ILLUSTRATED PARTS CATALOGUE



Ed. 1 Rev. 0

GENERAL

Ed. 1 Rev. 0

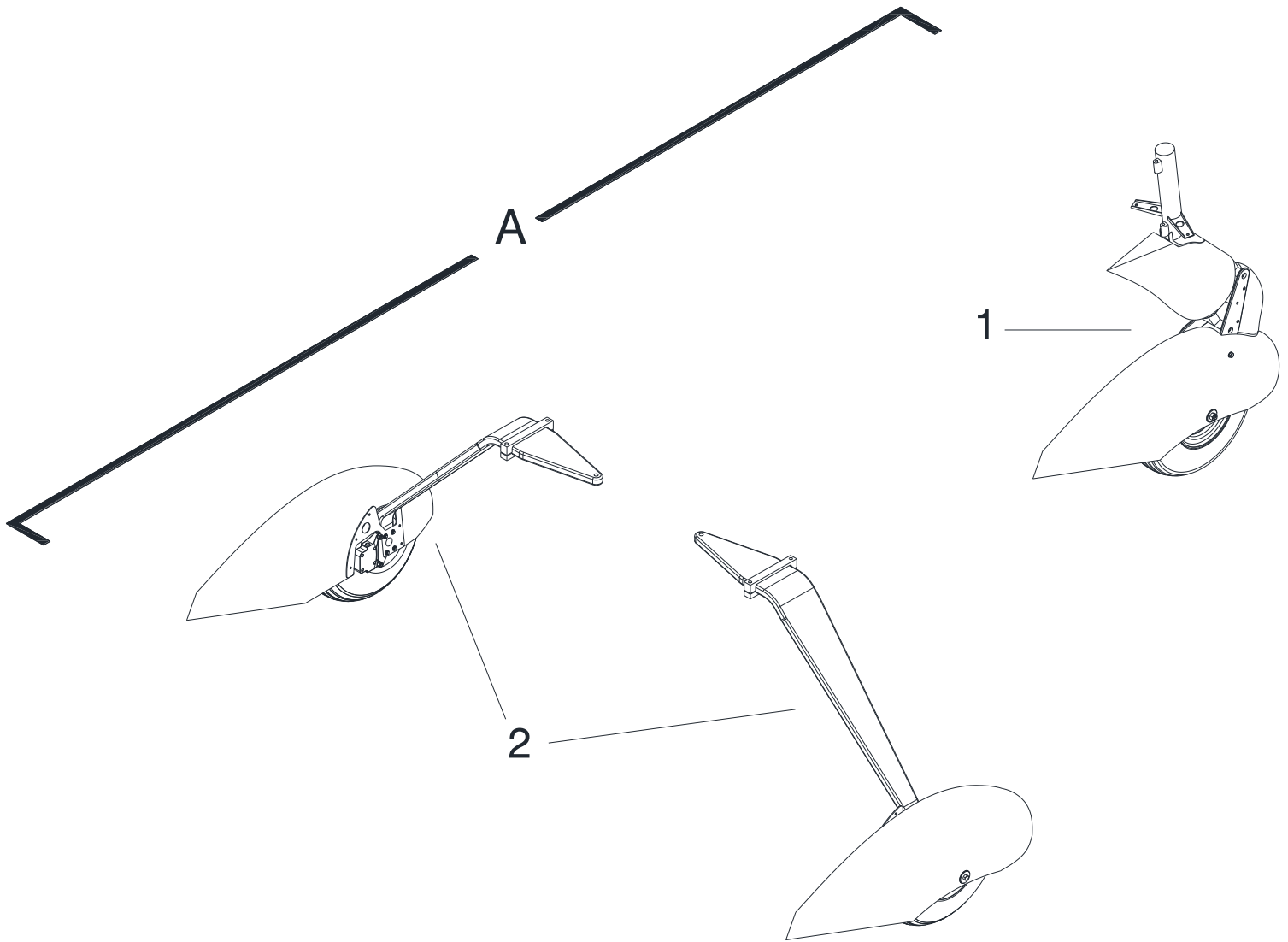


Figure 1 – General

**ILLUSTRATED PARTS
CATALOGUE***Ag2Echo
MK2*

Ed. 1 Rev. 0

FIG.ITEM	P/N	DESCRIPTION	S/N	Q.ty	
				LH	RH
A	218-8-0000-000	LANDING GEAR			
1	218-8-2000-000	NOSE LANDING GEAR			1
2	218-8-1000-000	MAIN LANDING GEAR LH/RH			1



ILLUSTRATED PARTS CATALOGUE

Ag2Echo
MK2

Ed. 1 Rev. 0

INTENTIONALLY LEFT BLANK



ILLUSTRATED PARTS CATALOGUE

Ag2Echo
MK2

Ed. 1 Rev. 0

MAIN GEAR AND DOORS

Ed. 1 Rev. 0

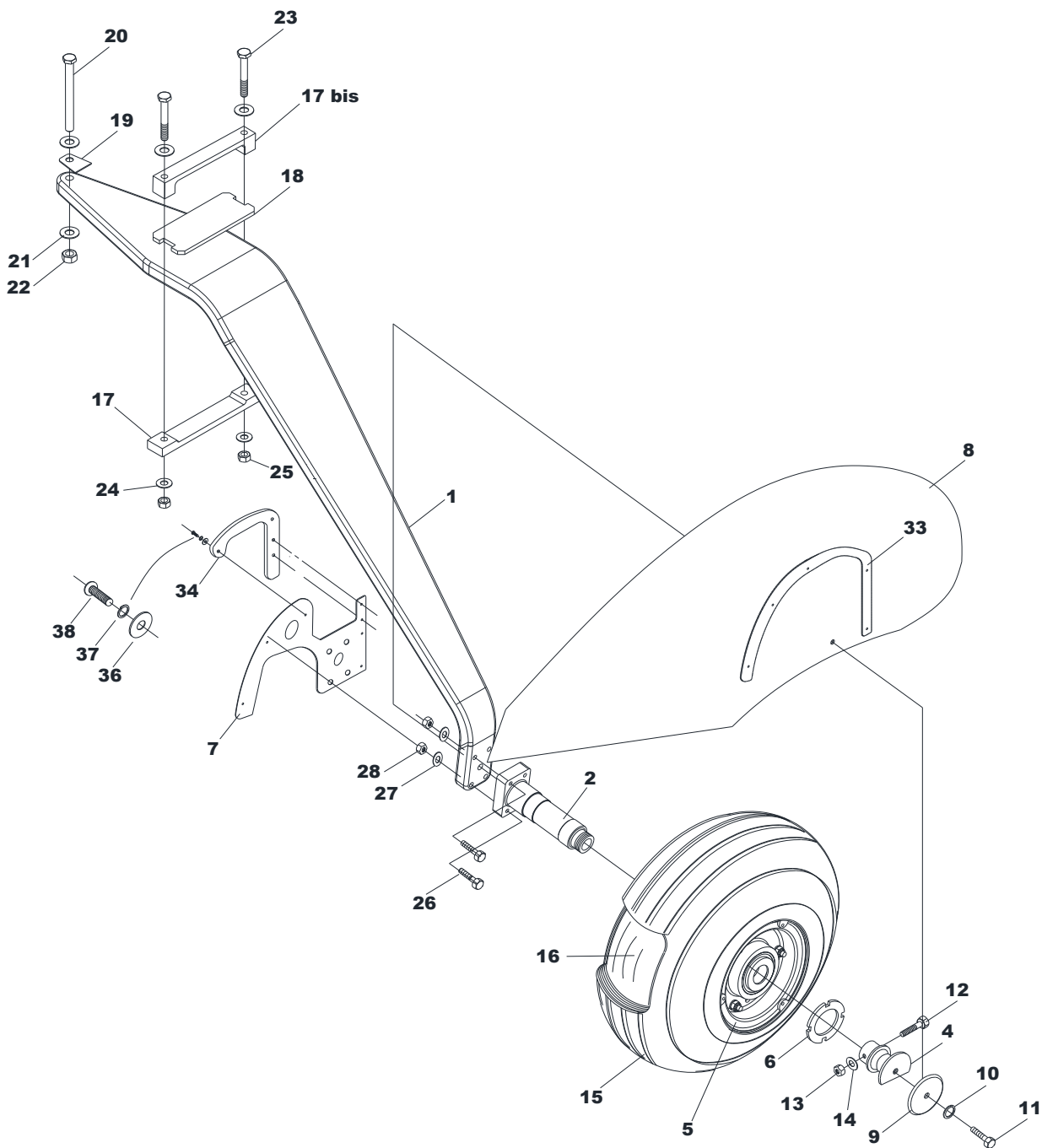


Figure 2 – MLG

Ed. 1 Rev. 0

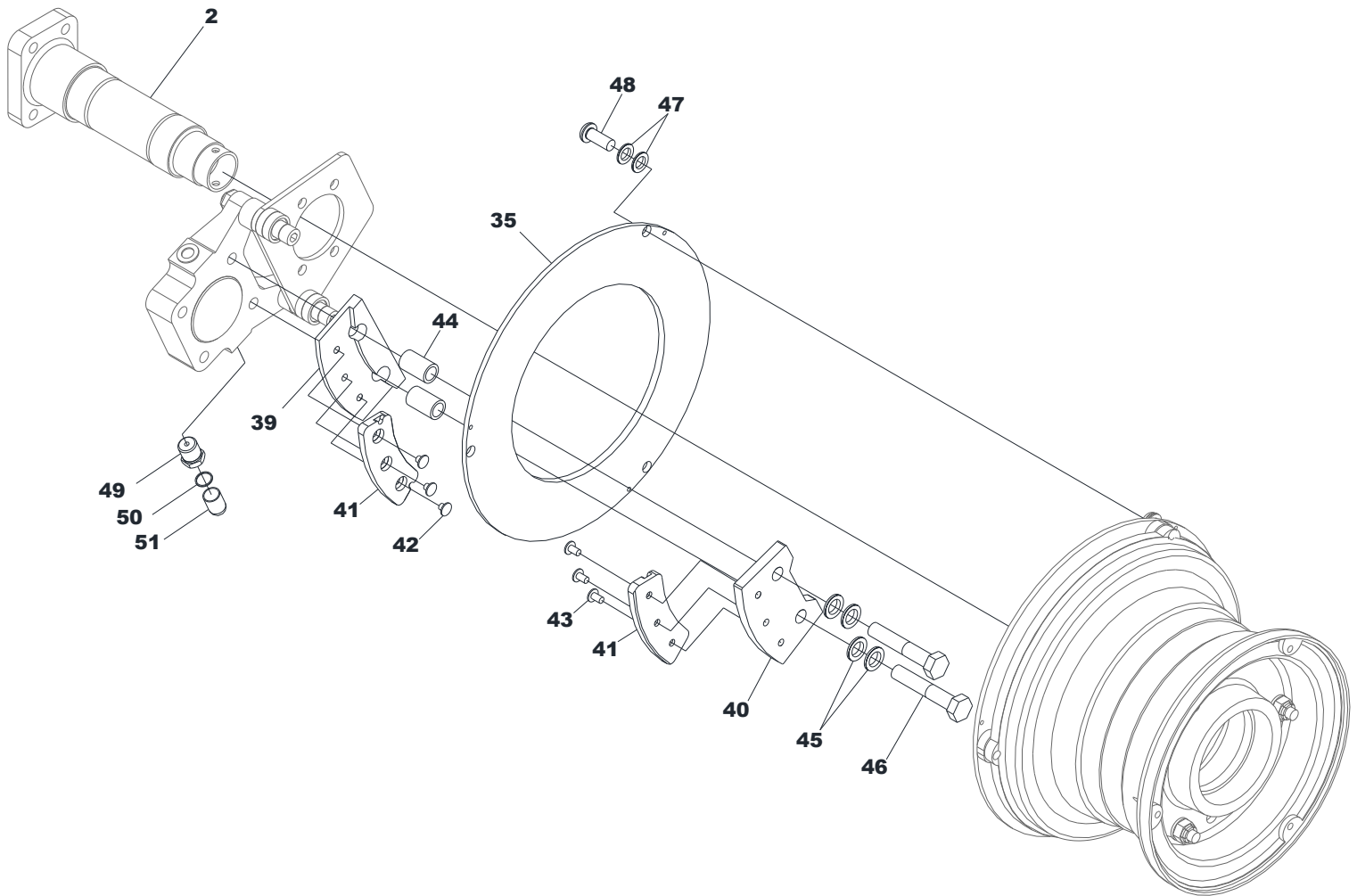


Figure 3 - MLG Brake

Ed. 1 Rev. 0

FIG.ITEM		P/N	DESCRIPTION	S/N	Q.ty LH RH	
A		218-8-1000-000	MAIN LANDING GEAR		1	
	1	28-8-710-1	STEEL LEAF SPRING		1	1
	2	WHLA21-8-213	MATCO AXLE		1	1
	3	AVAILABLE	AVAILABLE		-	-
	4	92-12-301-6	ATTACK FAIRING		1	1
	5	WI51L30MM	MATCO WHEEL		1	1
	6	GUK 5	STOP RING 25X1.5		1	1
	7	28-8-1134-1	FAIRING BRACKET		1	1
	8	27-8-410-1/2	WHEEL FAIRING LH/RH		1	1
	9	92-12-301-1	TABLET FAIRING		1	1
	10	UNI1751-6	SPRING WASHER		1	1
	11	UNI5739-5-16	BOLT HEX HEAD		1	1
	12	UNI5737-4-35	BOLT HEX HEAD		1	1
	13	UNI7473-4	STOP NUT		1	1
	14	UNI6592-4	WASHER		1	1
	15	AA1D4	AIR TRAC TIRE		1	1
	16	XA1AC	AIR TRAC TUBE		1	1
	17	218-8-1008-1	TIE ANCHOR FOR STEEL LEAF SPRING		1	1
	17 BIS	218-8-1005-1	TIE ANCHOR FOR STEEL LEAF SPRING		1	1
	18	92-8-206-3	THICK LEATHER		1	1
	19	92-8-205-1	THICKNESS		1	1
	20	AN6-37A	BOLT		1	1
	21	MS20002-6	WASHER		2	2
	22	AN365-624A	STOP NUT		1	1
	23	AN5-27A	SOCKET HEAD BOLT		2	2
	24	MS20002-5	WASHER		4	4
	25	MS21044N5	STOP NUT		4	4
	26	AN4-15A	BOLT HEX HEAD		4	4
	27	AN960-416 L	WASHER		4	4
	28	MS21044N4	STOP NUT		4	4
	29	AVAILABLE	AVAILABLE		-	-
	30	AVAILABLE	AVAILABLE		-	-
	31	AVAILABLE	AVAILABLE		-	-

Ed. 1 Rev. 0

32	AVAILABLE	AVAILABLE		-	-
33	21-8-230-2	REINFORCEMENT ATTACK FAIRING		1	1
34	28-8-1116-1/2	REINFORCEMENT ATTACK FAIRING		1	1
35	WHLD5LSA	BRAKE DISK (MATCO)		1	1
36	BACW10BP3NDP	WASHER		8	8
37	UNI1751-B M4	GROWER WASHER		8	8
38	AN526-4	SCREW		8	8
39	WHLMBSI5	MOVABLE BRAKE PAD SUPPORT		1	1
40	WHLBSBI5	STATIONARY BRAKE PAD SUPPORT		1	1
41	WHLM66-106	BRAKE PADS		2	2
42	MSC4-4	SEMI-TUBULAR RIVETS		3	3
43	MSC4-6	SEMI-TUBULAR RIVETS		3	3
44	WHLBSP1600	SPACER		2	2
45	MSCNL8	WASHER		2	2
46	MSC.31-18X1.75	BOLT HEX HEAD		2	2
47	MSCNL 1/4	WASHER		3	3
48	MSC.25-20X.62BHCS	BOTTON HEAD SCREW		3	3
49	MSCBBS (S)	SEAT, SEALED BRAKE BLDR		1	1
50	MSC2-008	O RING		1	1
51	MSCF6446-S	VALVE		1	1



ILLUSTRATED PARTS CATALOGUE

*Ag2Echo
MK2*

Ed. 1 Rev. 0

INTENTIONALLY LEFT BLANK



ILLUSTRATED PARTS CATALOGUE

Ag2Echo
MK2

Ed. 1 Rev. 0

NOSE GEAR / TAIL GEAR AND DOORS

Ed. 1 Rev. 0

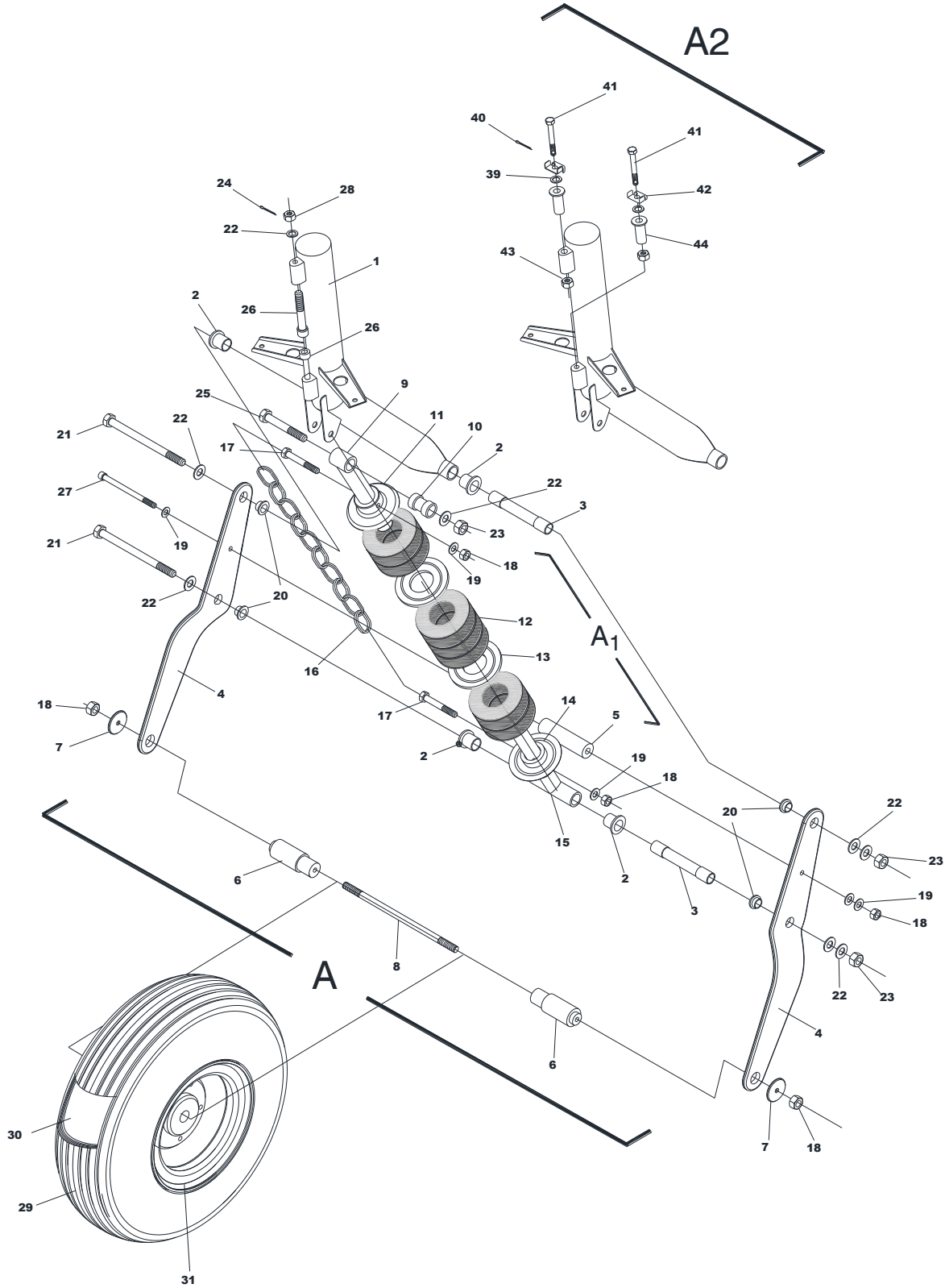


Figure 4 – NLG

Ed. 1 Rev. 0

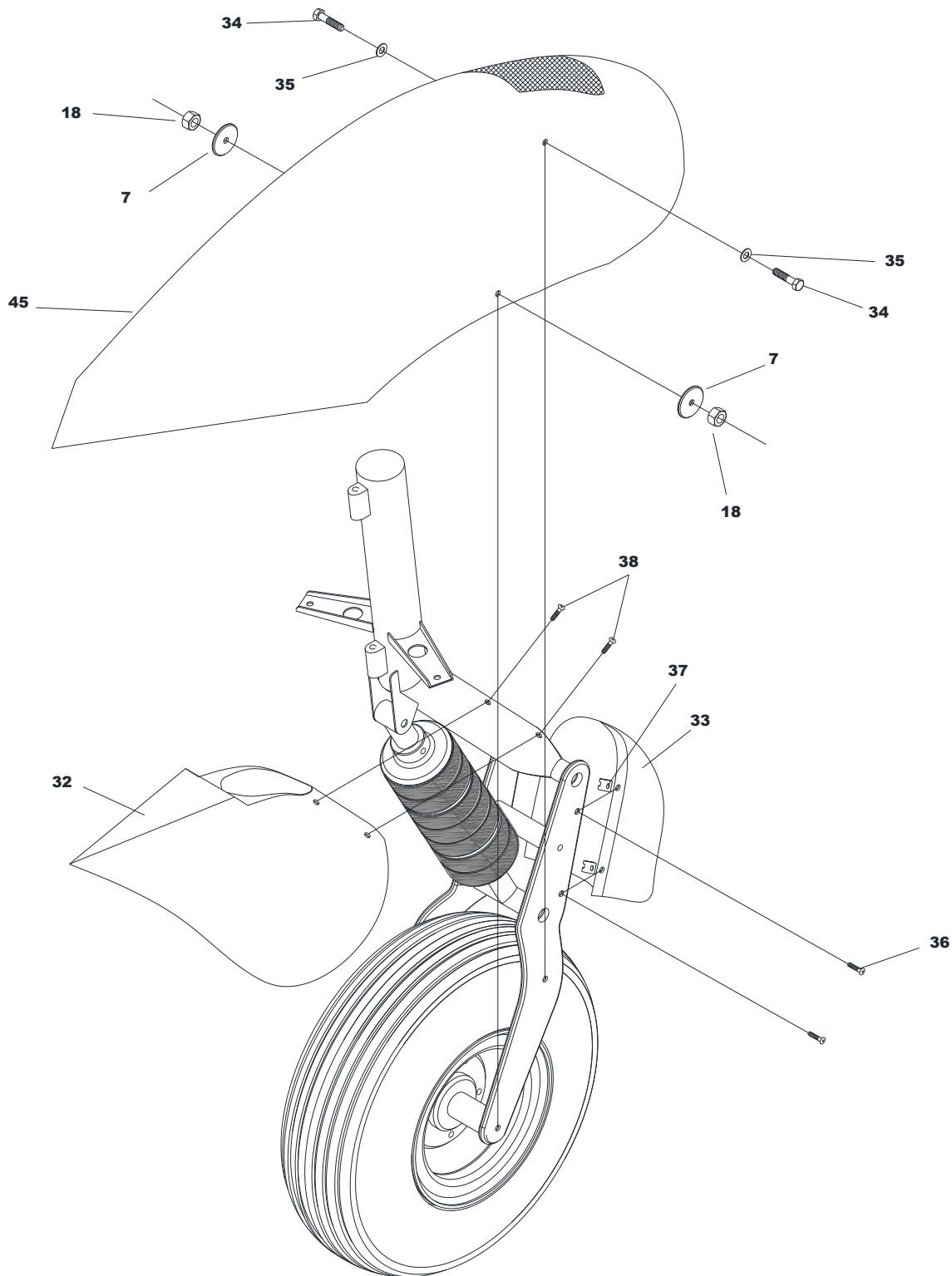


Figure 5 - NLG fairings

ILLUSTRATED PARTS CATALOGUE



Ed. 1 Rev. 0

FIG.ITEM		P/N	DESCRIPTION	S/N	Q.ty LH RH	
A		218-8-2000-000	NOSE LANDING GEAR		1	
	1	92-8-100-000	LANDING GEAR LEG		1	
	2	92-8-240-3	BUSH		2	2
	3	92-8-230-1	SPACER		2	
	4	92-8-120-001/2	FORK ASSY		1	1
	5	92-8-460-1	FORK SPACER		1	
	6	92-8-130-5	RIM SPACER		1	1
	7	92-8-130-2	PLATE		1	1
	8	92-8-240-7	WHEEL ROD		1	
	A1	92-8-200-000	SHOCK ABSORBER DISK ASSY		1	
	9	92-8-220-000	SHOCK ABSORBER UPPER ROD		1	
	10	92-8-240-4	BUSH		1	
	11	92-8-210-1	UPPER PLATE		1	
	12	92-8-200-1	RUBBER RUFFER		7	
	13	92-8-210-3	SPACER		2	
	14	92-8-210-2	LOWER PLATE		1	
	15	92-8-230-000	SHOCK ABSORBER LOWER ROD		1	
	16	92-8-242-1	SHOCK ABSORBER STOP CHAIN		1	
	17	UNI5737-6-50	BOLT HEX HEAD		2	
	18	UNI7473-6	STOP NUT		4	
	19	UNI6592-6	WASHER		4	
	20	92-8-240-8	BUSH		4	
	21	UNI5737-8-110	BOLT HEX HEAD		2	
	22	UNI 6592-8	WASHER		8	
	23	UNI7473-8	STOP NUT		3	
	24	MS24655-153	COTTER PIN		2	
	25	UNI5737-8-45	BOLT HEX HEAD		1	
	26	UNI5931-8-72	BOLT INTERNAL HEX HEAD		2	
	27	UNI5931-6-110	BOLT INTERNAL HEX HEAD		2	
	28	UNI5593-8	CASTEL NUT		2	
	29	AA14D	AIRTRAC TIRE		1	
	30	XA1AC	AIRTRAC TUBE		1	
	31	WHLTW5120MM	NOSE WHEEL MATCO		1	

ILLUSTRATED PARTS CATALOGUE



Ed. 1 Rev. 0

	32	92-8-420-3	NLG FAIRING REAR PART		1
	33	92-8-420-4	NLG FAIRING FRONT PART		1
	34	UNI5739-6-12	BOLT HEX HEAD		2
	35	UNI1751-6	ELASTIC WASHER		2
	36	UNI6954-3.5-16	PAN HEAD SELF TAPPING SCREW		4
	37	NAS395-3.5	TUNNERMAN		4
	38	UNI6954-3.5-16	PAN HEAD SELF TAPPING SCREW		4
	A2	92-8-150-000	NOSE GEAR ASSY		1
	39	UNI 6592-8	WASHER		8
	40	MS24655-153	COTTER PIN		2
	41	AN5-30	BOLT INTERNAL HEX HEAD		2
	42	92-8-152-3	NUT STOP PLATE		2
	43	MS17825-5	CASTEL NUT		2
	44	92-8-156-1	BUSH BRASS		4
	45	27-8-420-1	SINGLE WHEEL FAIRING		1



ILLUSTRATED PARTS CATALOGUE

*Ag2Echo
MK2*

Ed. 1 Rev. 0

INTENTIONALLE LEFT BLANK



ILLUSTRATED PARTS CATALOGUE

Ag2Echo
MK2

Ed. 1 Rev. 0

WHEELS AND BRAKES

Ed. 1 Rev. 0

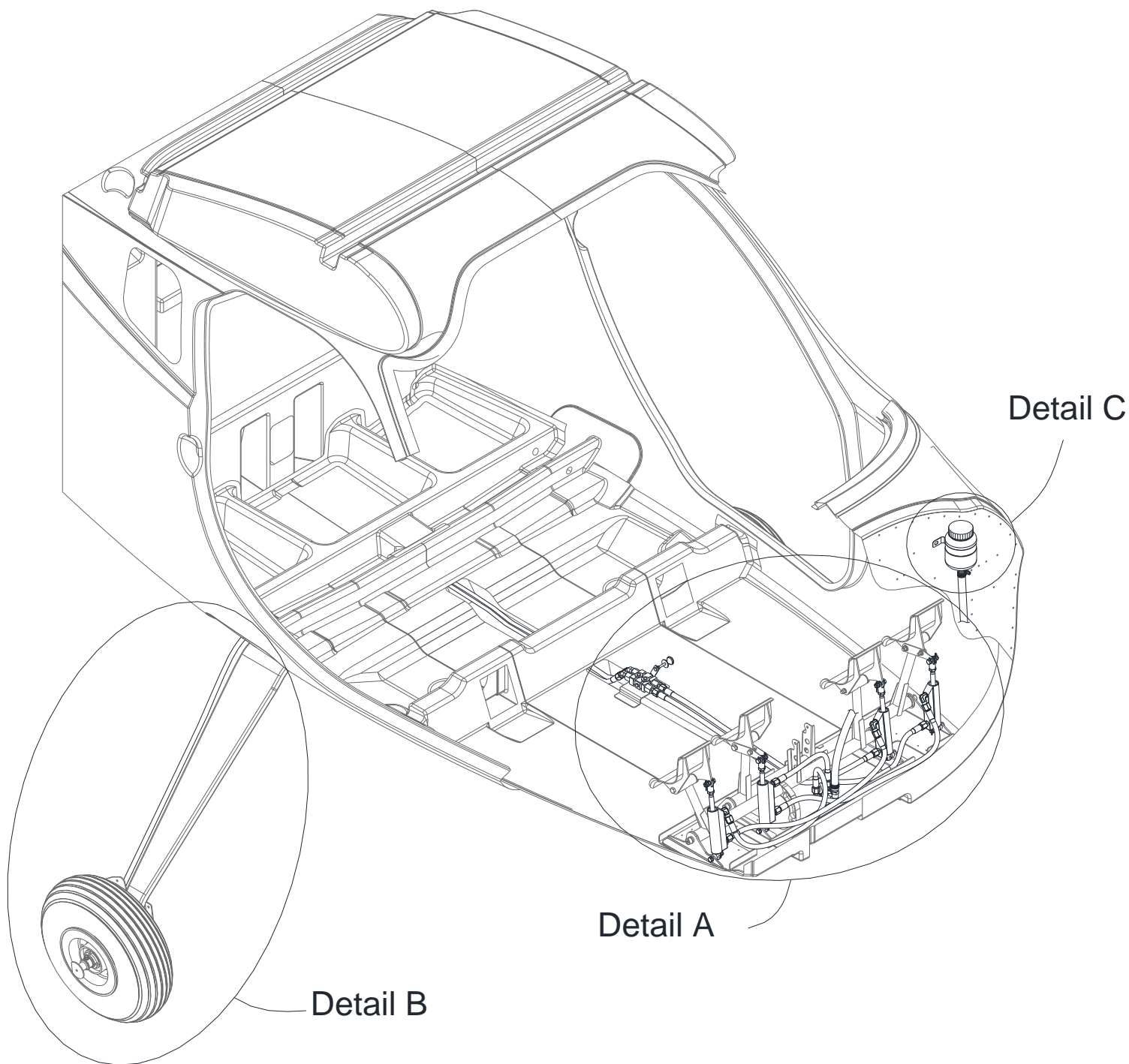


Figure 6 - General brake system

Ed. 1 Rev. 0

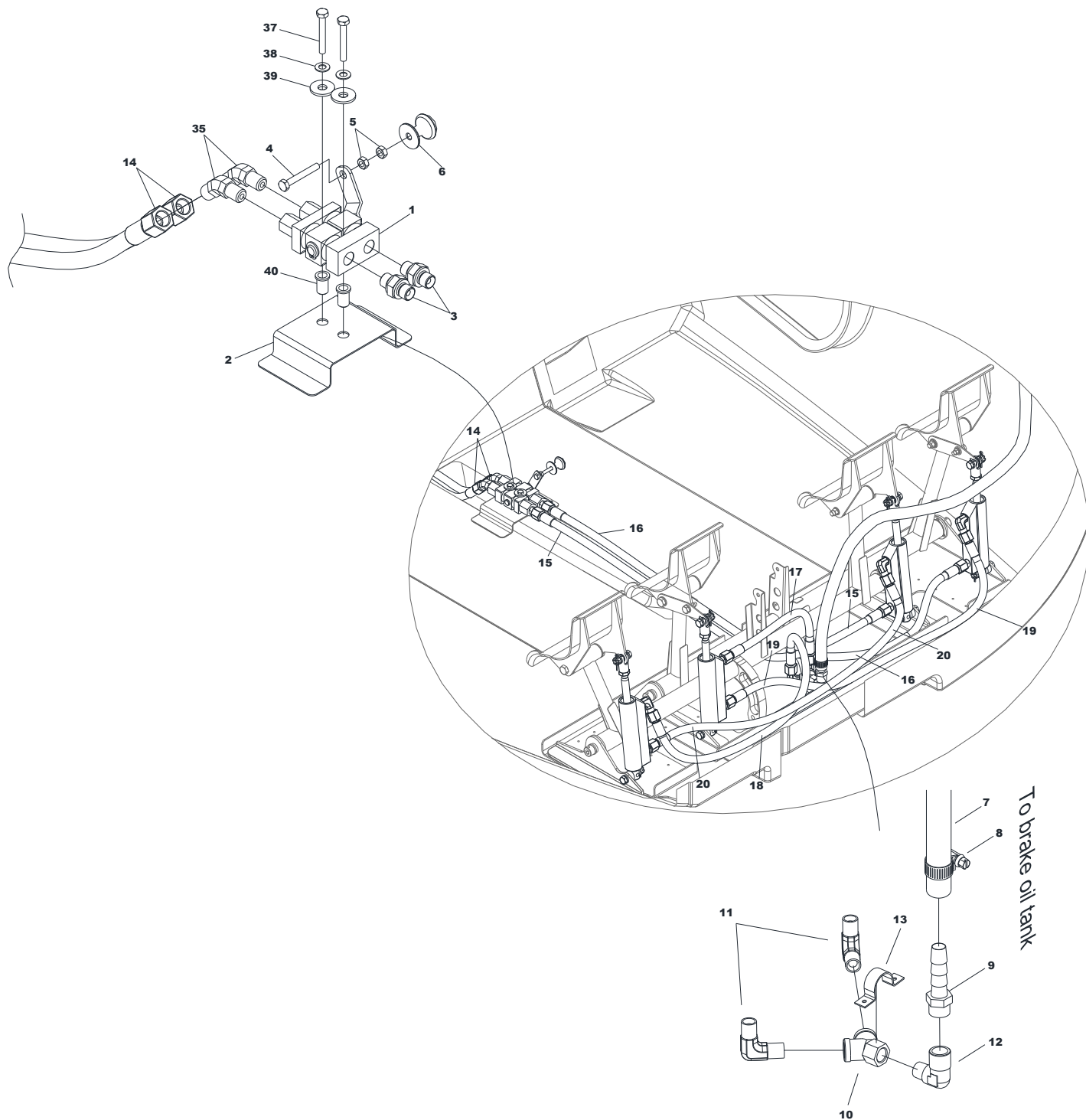


Figure 7 - Detail A (sheet 1)

Ed. 1 Rev. 0

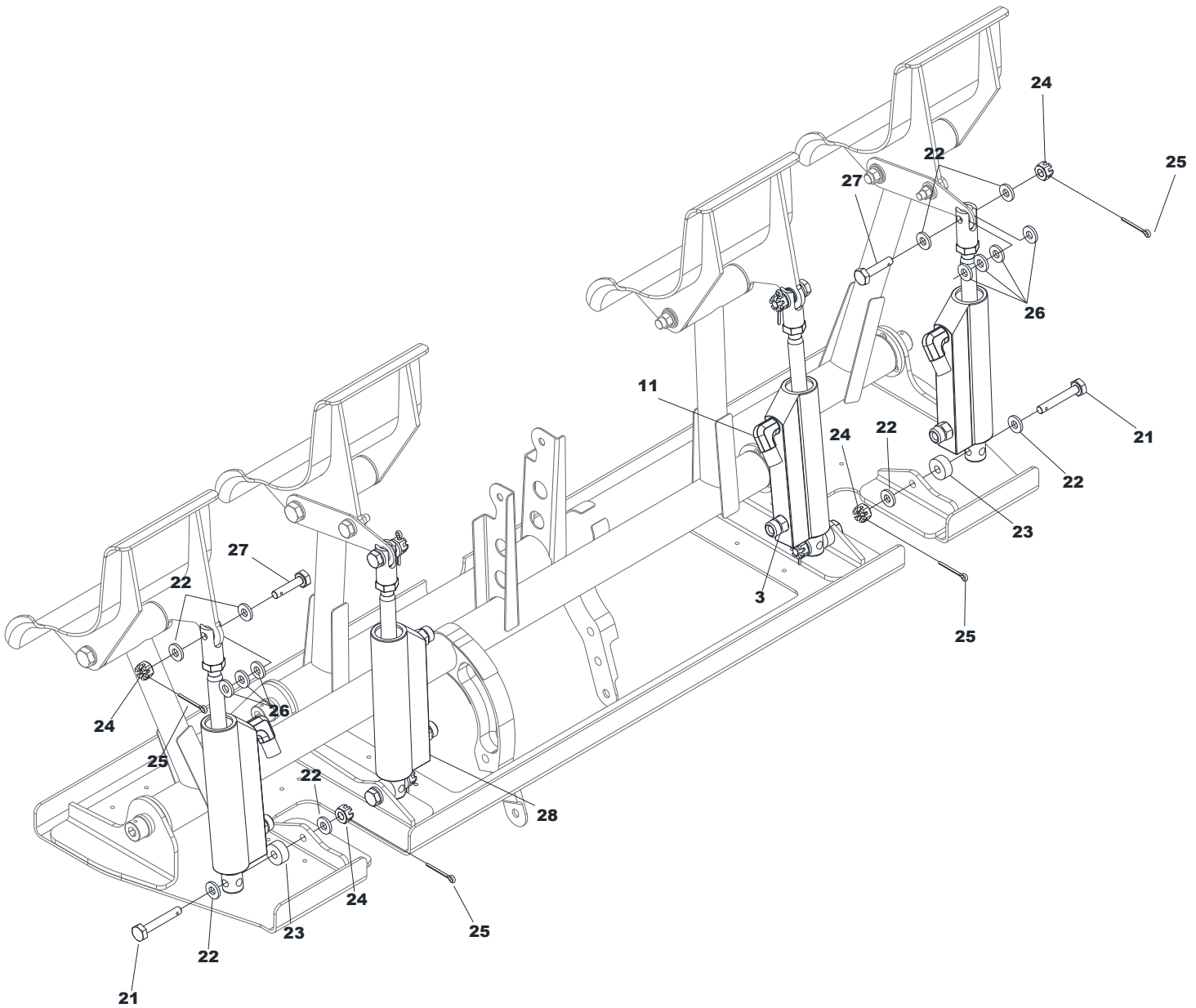


Figure 8 - Detail A (sheet 2)

Ed. 1 Rev. 0

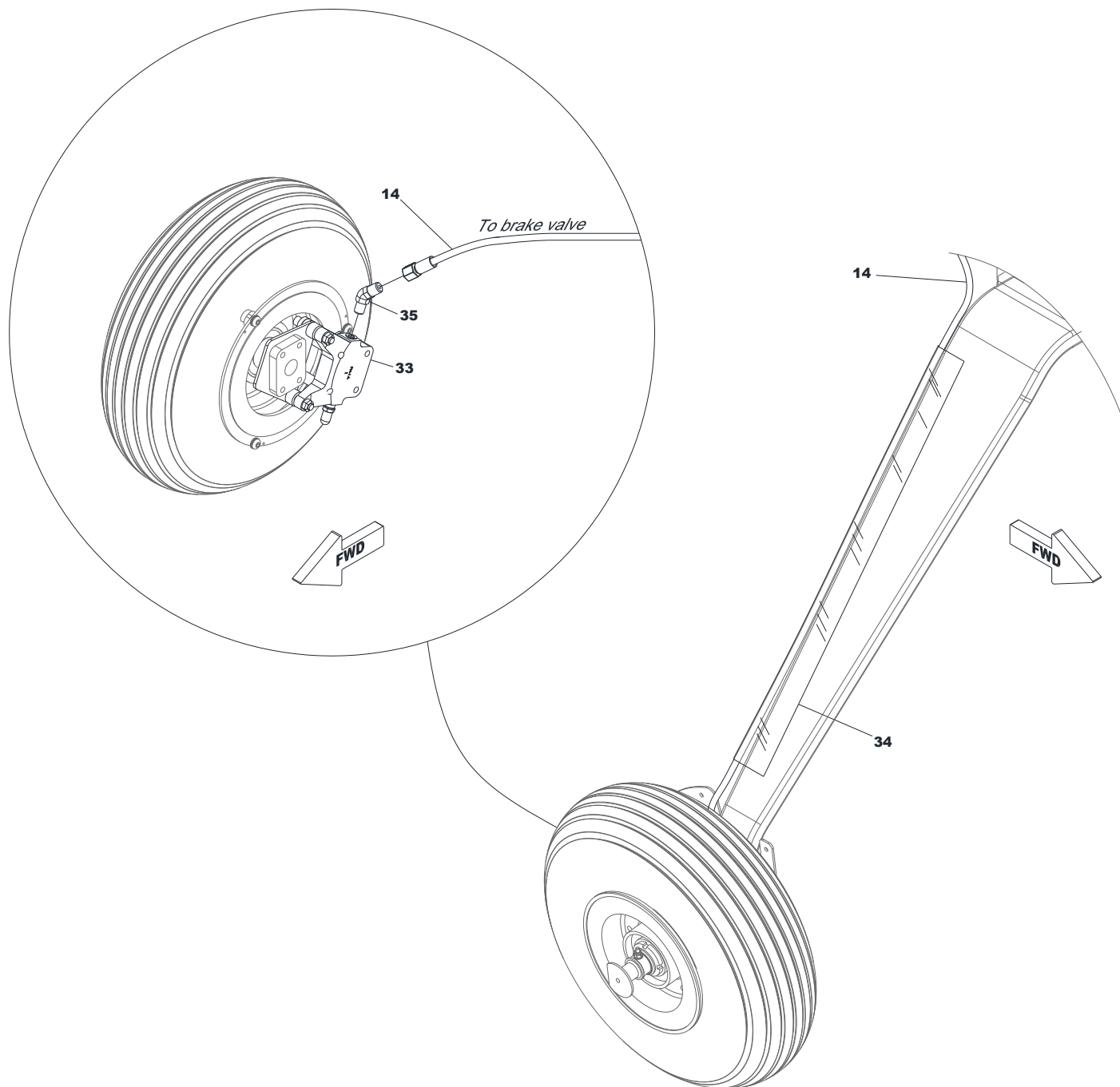


Figure 9 - Detail B

Ed. 1 Rev. 0

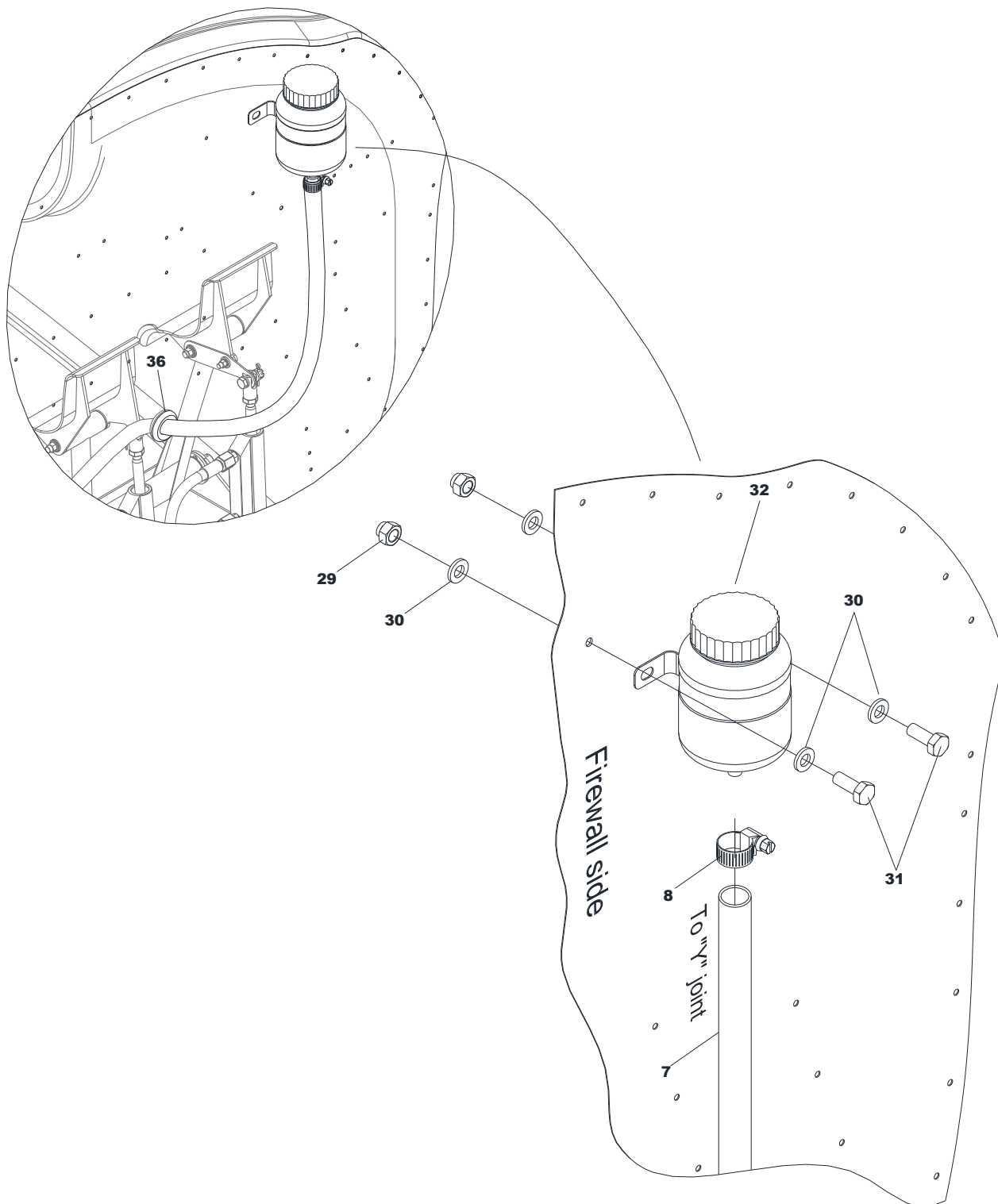


Figure 10- Detail C

Ed. 1 Rev. 0

FIG.ITEM		P/N	DESCRIPTION	S/N	Q.ty LH RH
1		PVPV-D	PARKING BRAKE VALVE		1
2		218-2-1150-1	PARKING BRAKE VALVE SUPPORT		1
3		300501	JOINT		8
4		UNI5739-4-40	BOLT HEX. HEAD		1
5		UNI5588-4	NUT		2
6		40012.18B	PARKING BRAKE VALVE KNOB		1
7		218-9-2016-1	HOSE		2
8		SERFLEX 8X12	CLAMP		2
9		A 107-3	HOSE JOINT		1
10		2043-1-8	Y JOINT		1
11		302201	L JOINT		5
12		2020-1-8-1-8	L JOINT		1
13		218-9-2018-1	OMEGA		1
14		218-9-2014-000	BRAKE HOSE		2
15		218-9-2012-000	BRAKE HOSE		1
16		218-9-2010-000	BRAKE HOSE		1
17		218-9-2008-000	BRAKE HOSE		1
18		218-9-2002-000	BRAKE HOSE		1
19		218-9-2004-000	BRAKE HOSE		1
20		218-9-2006-000	BRAKE HOSE		1
21		AN3-12	BOLT HEX. HEAD		4
22		NAS1149F0363P	WASHER		16
23		92-5-903-1	FILLER BUSHING		4
24		AN310-3	CASTLE NUT		8
25		MS24665-153	COTTER PIN		8
26		UNI6592-5	WASHER		14
27		AN3-7	BOLT HEX. HEAD		4
28		MATCO MC-4	BRAKE PUMP		4
29		UNI7473-6	STOP NUT		2
30		UNI6592-6	WASHER		4
31		UNI5739-6-20	BOLT HEX. HEAD		2
32		ATE 03.3508-024	BRAKE OIL TANK + SUPPORT		1
33		WHLBI5-7	BRAKE CALIBER ASSY		1

**ILLUSTRATED PARTS
CATALOGUE***Ag2Echo
MK2*

Ed. 1 Rev. 0

34	08219	FILM TO KEEP HOSE ON CROSSBOW	2
35	2500-s08	ELBOW FITTING	4
36	1435	RUBBER GROMMET	1
37	UNI5737-4-35	BOLT	2
38	UNI6592-4	WASHER	2
39	UNI6593-6	WASHER	2
40	UNI9201-4	RIVNUT	2



ILLUSTRATED PARTS CATALOGUE



Ed. 1 Rev. 0

ATA 33 LIGHTS



ILLUSTRATED PARTS CATALOGUE



Ed. 1 Rev. 0

33. LIGHTS

-40. EXTERIOR LIGHTS..... 3



ILLUSTRATED PARTS CATALOGUE

Ag2Echo
Mk2

Ed. 1 Rev. 0

EXTERIOR LIGHTS

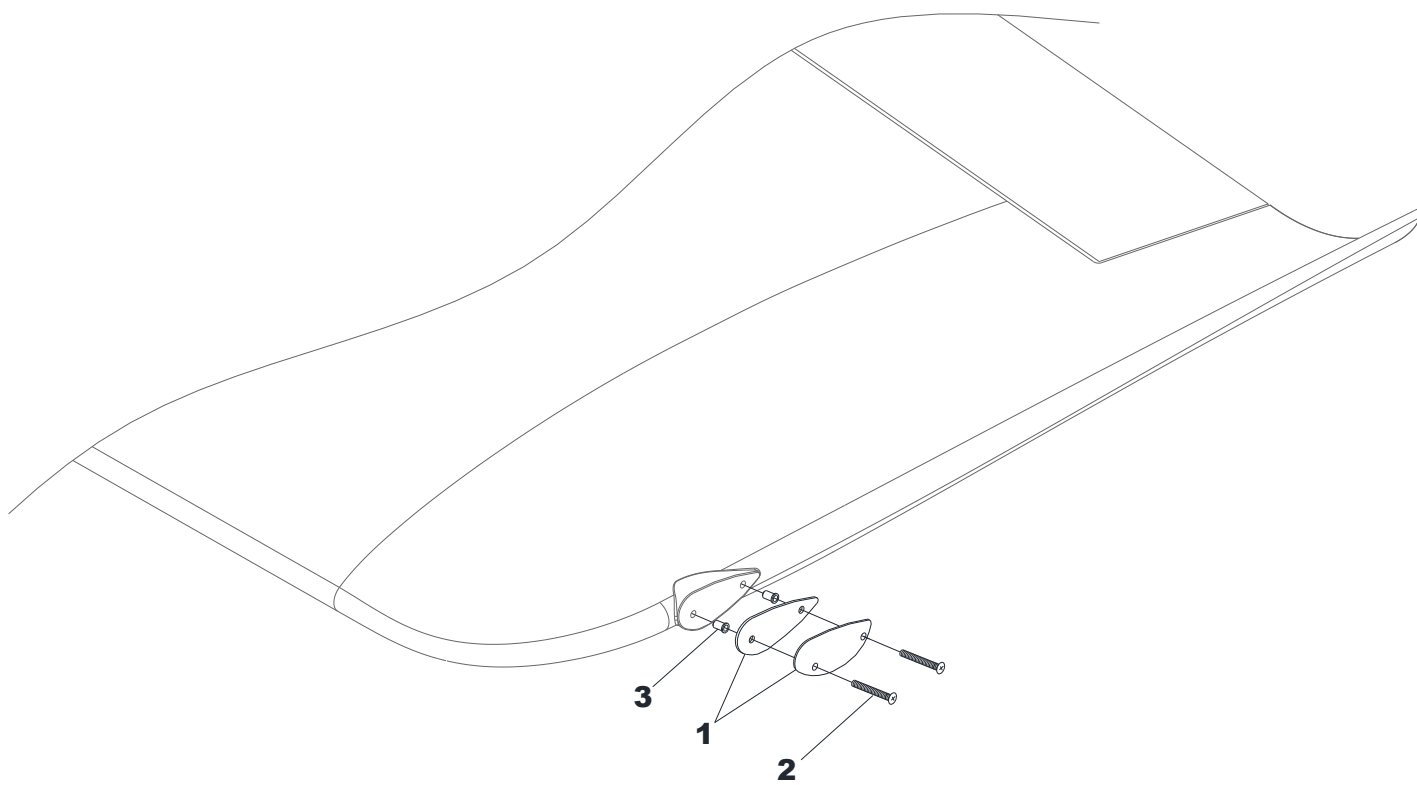


Figure 1 - Tip lights

Ed. 1 Rev. 0

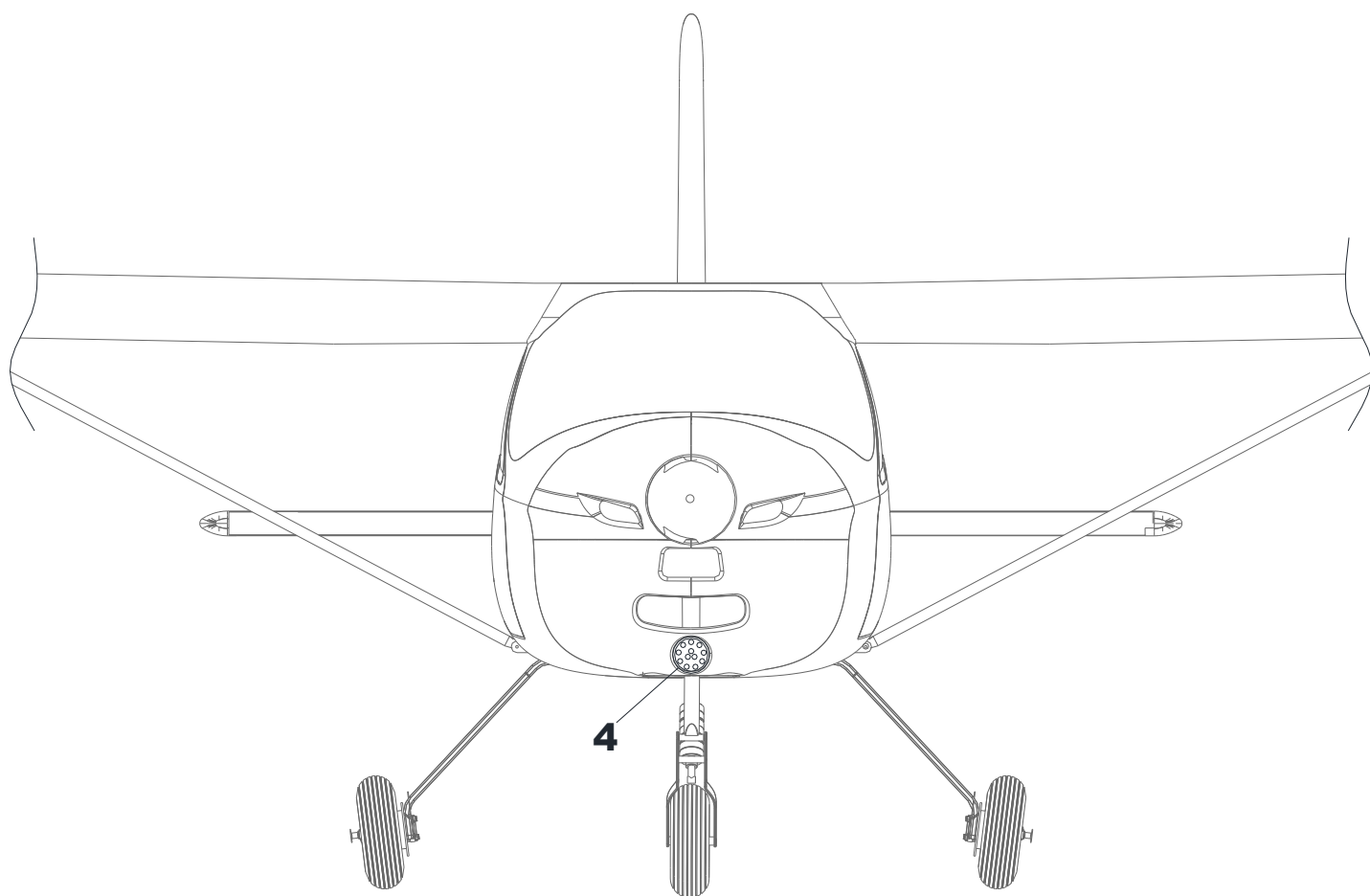


Figure 2 - Landing light

**ILLUSTRATED PARTS
CATALOGUE***Ag2 Echo
MK2*

Ed. 1 Rev. 0

FIG.ITEM		P/N	DESCRIPTION	S/N	Q.ty LH RH	
	1	AVE-WPSTR-20D	RED NAVIGATION LIGHT (LH)		1	
		AVE-WPSTG-20D	GREEN NAVIGATION LIGHT (RH)			1
	2	UNI 7689-3-20	SCREW		4	
	3	UNI9201-3	RIVNUT		4	
	4	P36P1L	LANDING LIGHT		1	



ILLUSTRATED PARTS CATALOGUE



Ed. 1 Rev. 0

ATA 34 NAVIGATION



ILLUSTRATED PARTS CATALOGUE



Ed. 1 Rev. 0

34. NAVIGATION

-10. FLIGHT ENVIROMENT DATA	3
-20. ATTITUDE AND DIRECTION	7
-50. DEPENDENT POSITION DETERMINING	11



ILLUSTRATED PARTS CATALOGUE



Ed. 1 Rev. 0

FLIGHT ENVIROMENT DATA

Ed. 1 Rev. 0

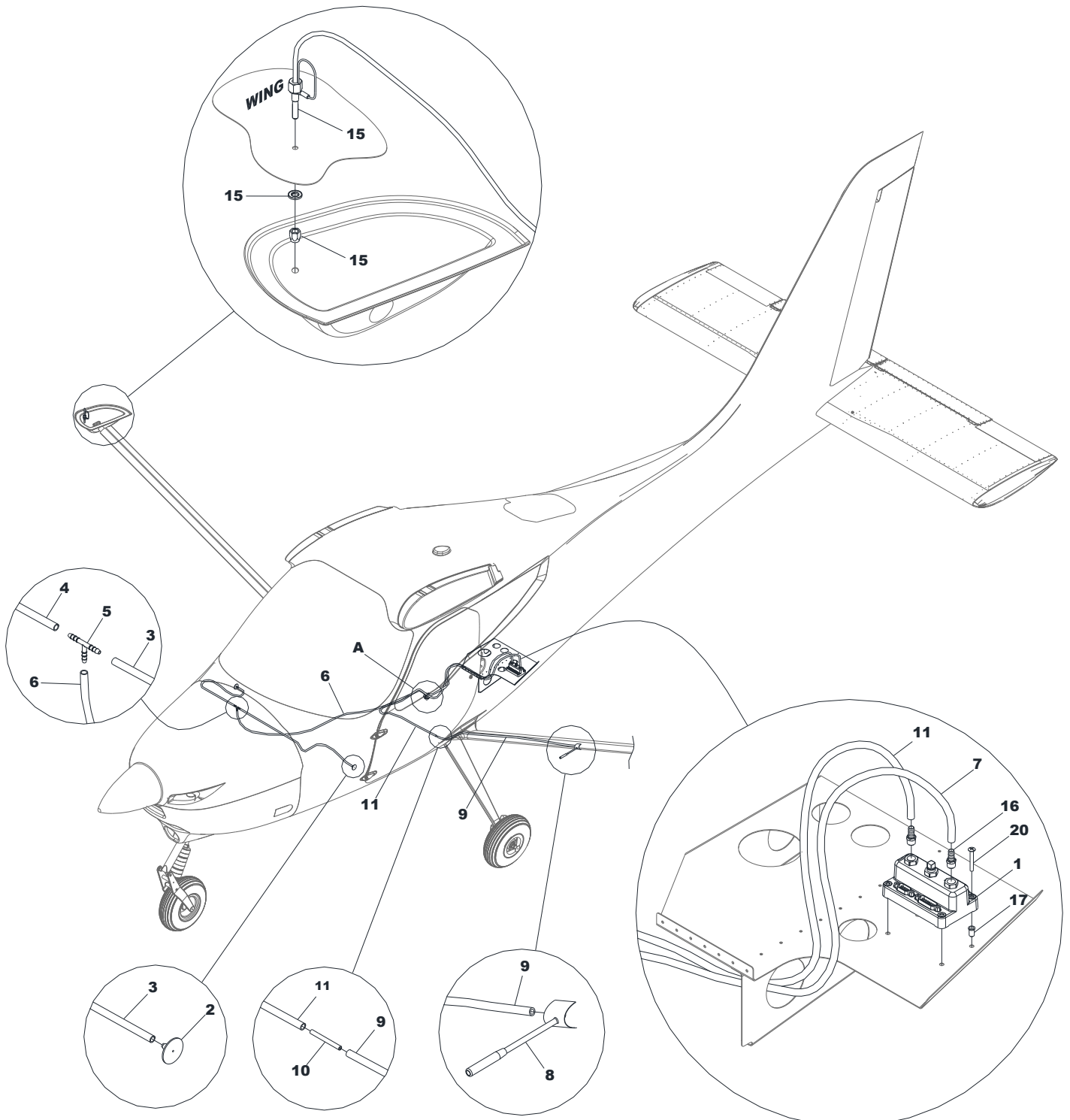


Figure 1 - Anemometric system

Ed. 1 Rev. 0

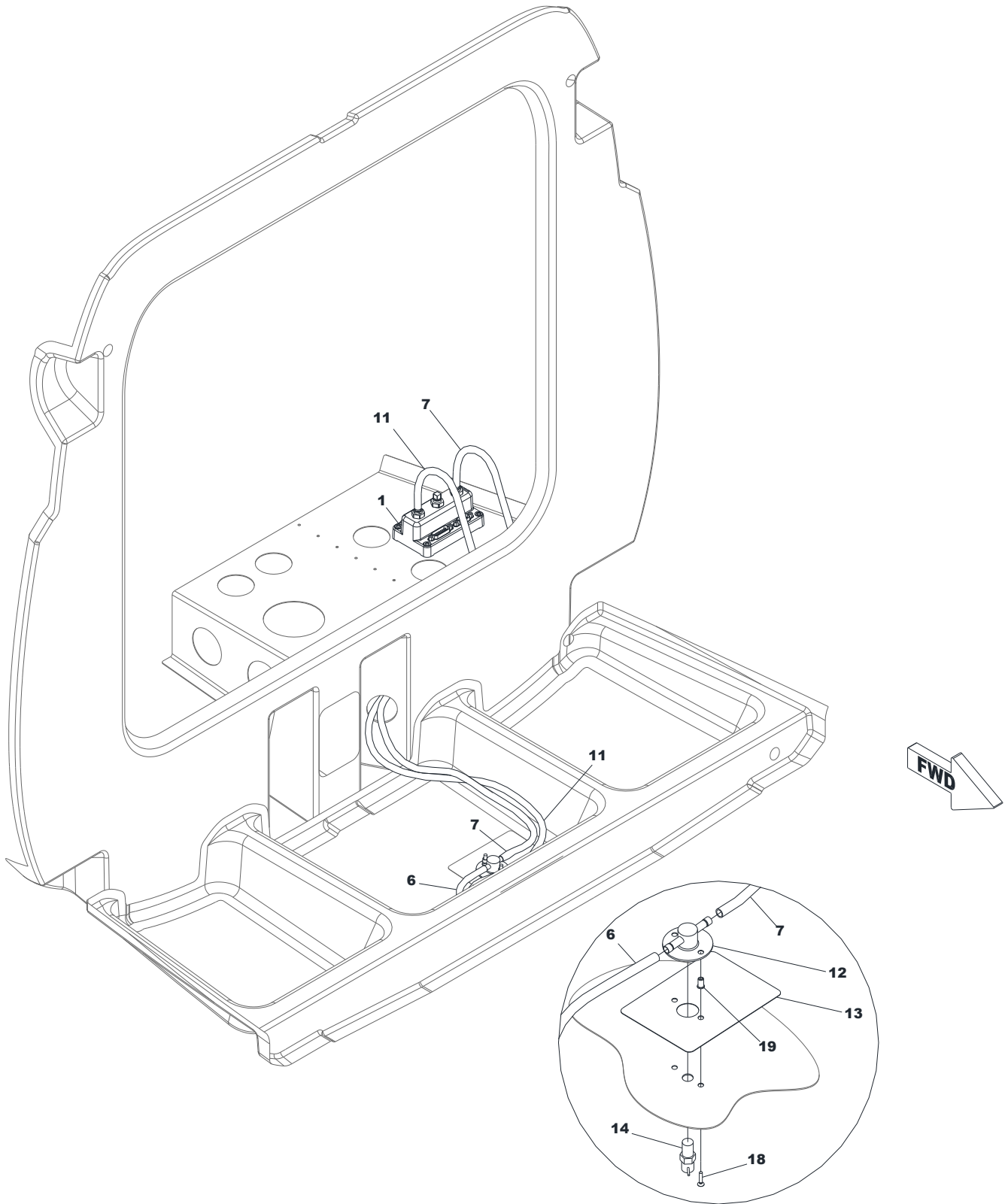


Figure 2 – Static drain (Detail A)

Ed. 1 Rev. 0

FIG.ITEM		P/N	DESCRIPTION	S/N	Q.ty LH RH	
	1	010-01071-50	GSU 25C		1	
	2	92-9-903-1	STATIC PORT		1	1
	3	218-9-6002-1	STATIC PORT TO T JOINT HOSE LH		1	
	4	218-9-6002-2	STATIC PORT TO T JOINT HOSE RH			1
	5	136060600005	T JOINT		1	
	6	218-9-6004-1	T JOINT TO DRAIN HOSE		1	
	7	218-9-6006-1	DRAIN TO GSU 25C HOSE		1	
	8	92-9-920-000	PITOT TUBE		1	
	9	218-9-6008-1	PITOT TUBE TO JOINT		1	
	10	218-9-6012-1	STRAIGHT JOINT		1	
	11	218-9-6010-1	STRAIGHT JOINT TO GSU 25C HOSE		1	
	12	28-9-2012-000	STATIC DRAIN		1	
	13	218-2-1152-1	STATIC DRAINAGE REINFORCEMENT PLATE		1	
	14	CCA-1550	QUICK DRAIN		1	
	15	011-00978-00	OAT PROBE (KIT)			1
	16	26017-1/8	FITTING		2	
	17	UNI9201-4	RIVNUT		4	
	18	UNI7689-3-20	SCREW		2	
	19	UNI9201-3	RIVNUT		2	
	20	2956500403001	COMBI PAN HEAD SCREW M4X30		4	



ILLUSTRATED PARTS CATALOGUE



Ed. 1 Rev. 0

ATTITUDE AND DIRECTION

Ed. 1 Rev. 0

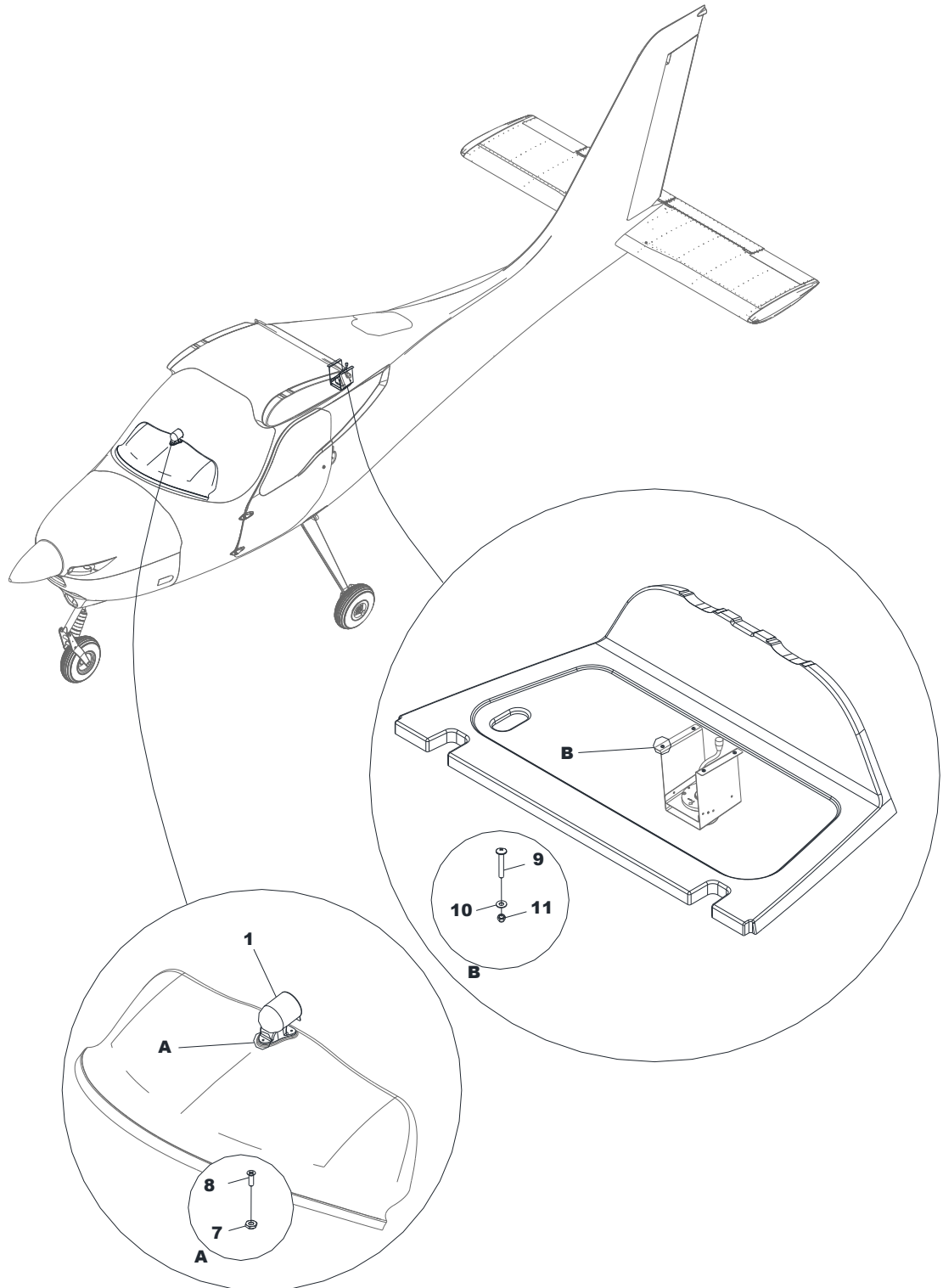


Figure 3 - Compass and magnetometr location

Ed. 1 Rev. 0

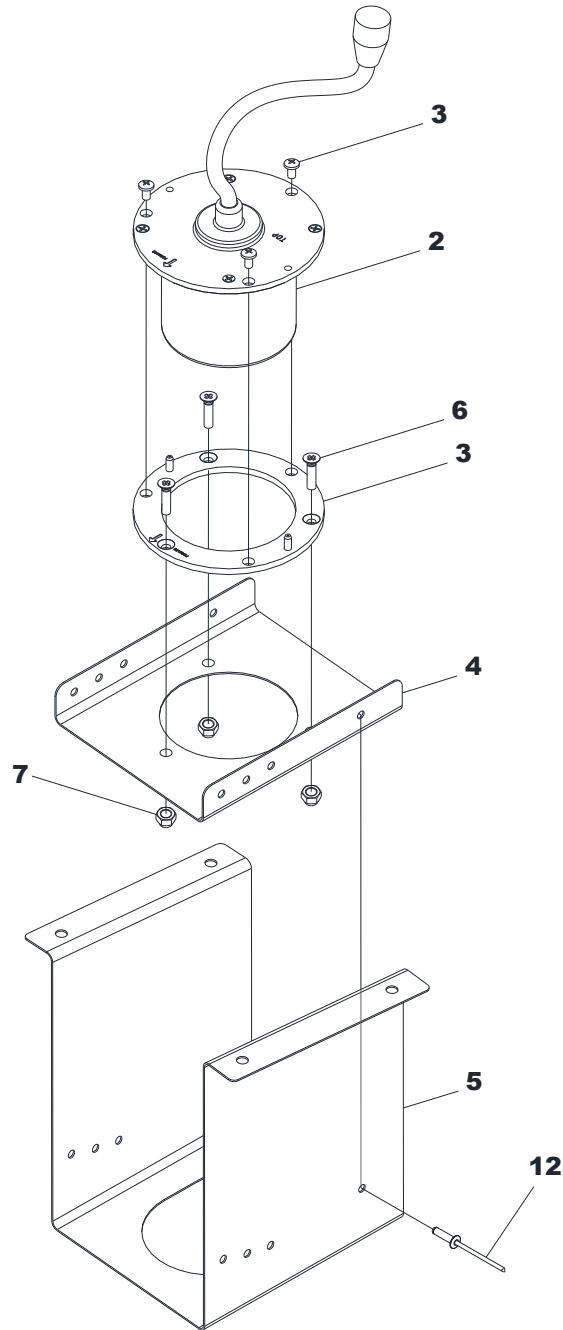


Figure 4 - Magnetometer installation

Ed. 1 Rev. 0

FIG.ITEM		P/N	DESCRIPTION	S/N	Q.ty LH RH
	1	MCDB-2L	FALCON PEDESTAL MOUNT COMPASS		1
	2	010-01196-00	MAGNETOMETR GMU22 (UNIT ONLY)		1
	3	011-00871-10	GMU 22 INSTALL KIT		1
	4	28-9-5084-2	MAGNETOMETR SUPPORT PLATE		1
	5	28-9-5084-1	OMEGA SUPPORT		1
	6	MS24693-BB-27	SCREW		3
	7	MS21083N06	STOP NUT		6
	8	MS24693-BB-32	SCREW		3
	9	UNI7048-4-16	SCREW		4
	10	UNI6592-4	WASHER		4
	11	UNI7474-4	STOP NUT		4
	12	01633-00414	BLIND RIVET		4



ILLUSTRATED PARTS CATALOGUE



Ed. 1 Rev. 0

DEPENDENT POSITION DETERMINING

Ed. 1 Rev. 0

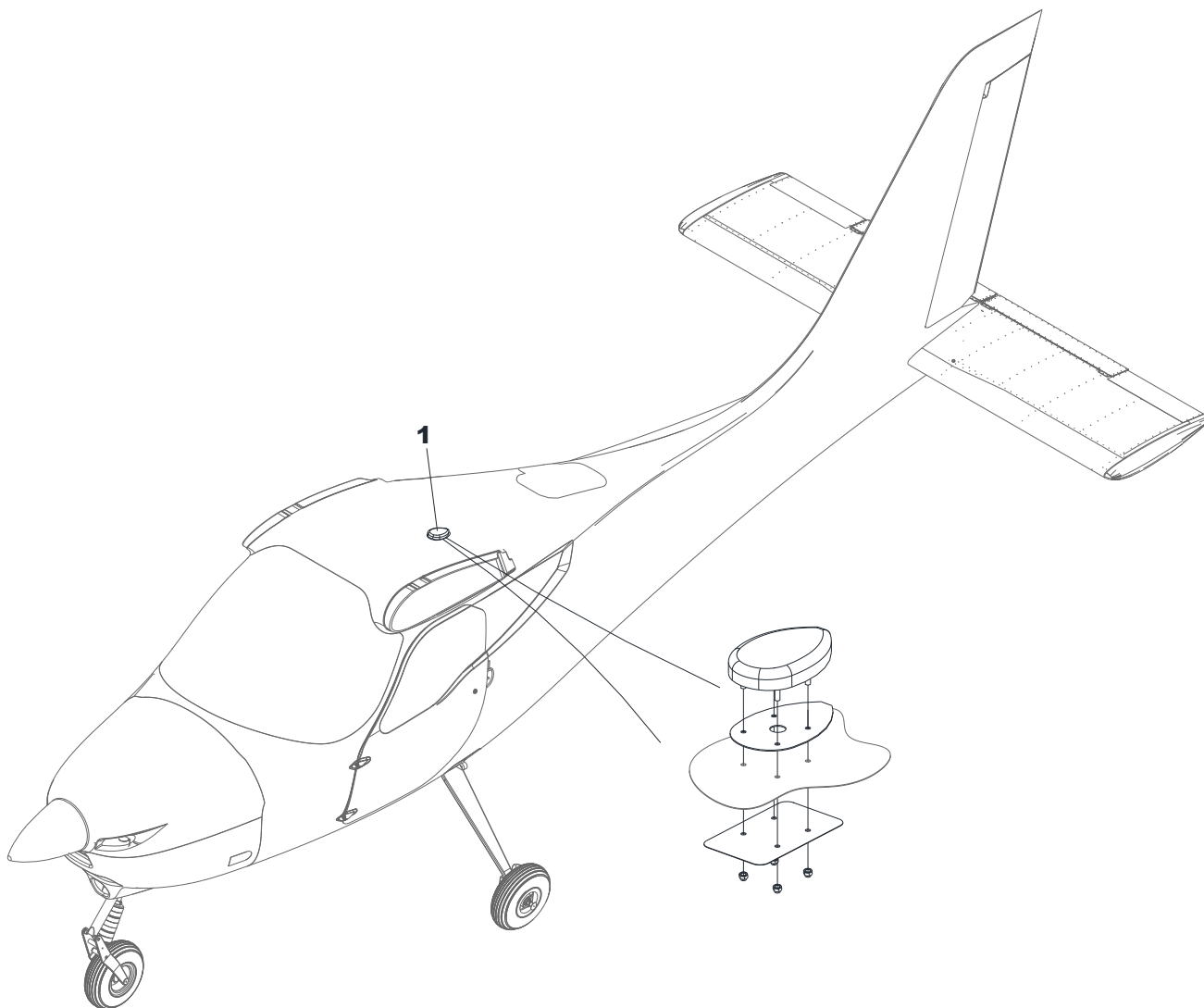


Figure 5 - GPS antenna installation

Ed. 1 Rev. 0

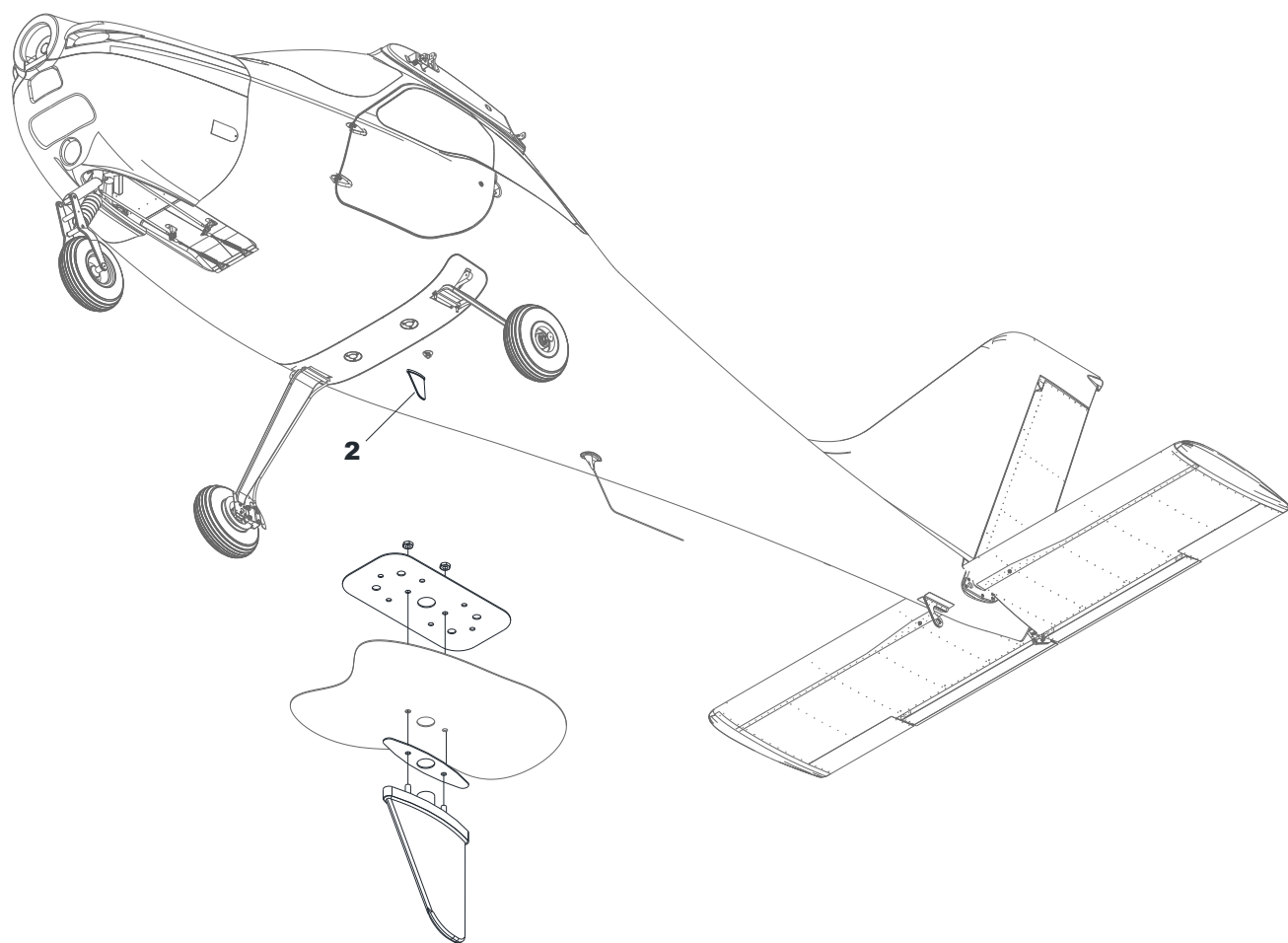


Figure 6 - DME transponder antenna

Ed. 1 Rev. 0

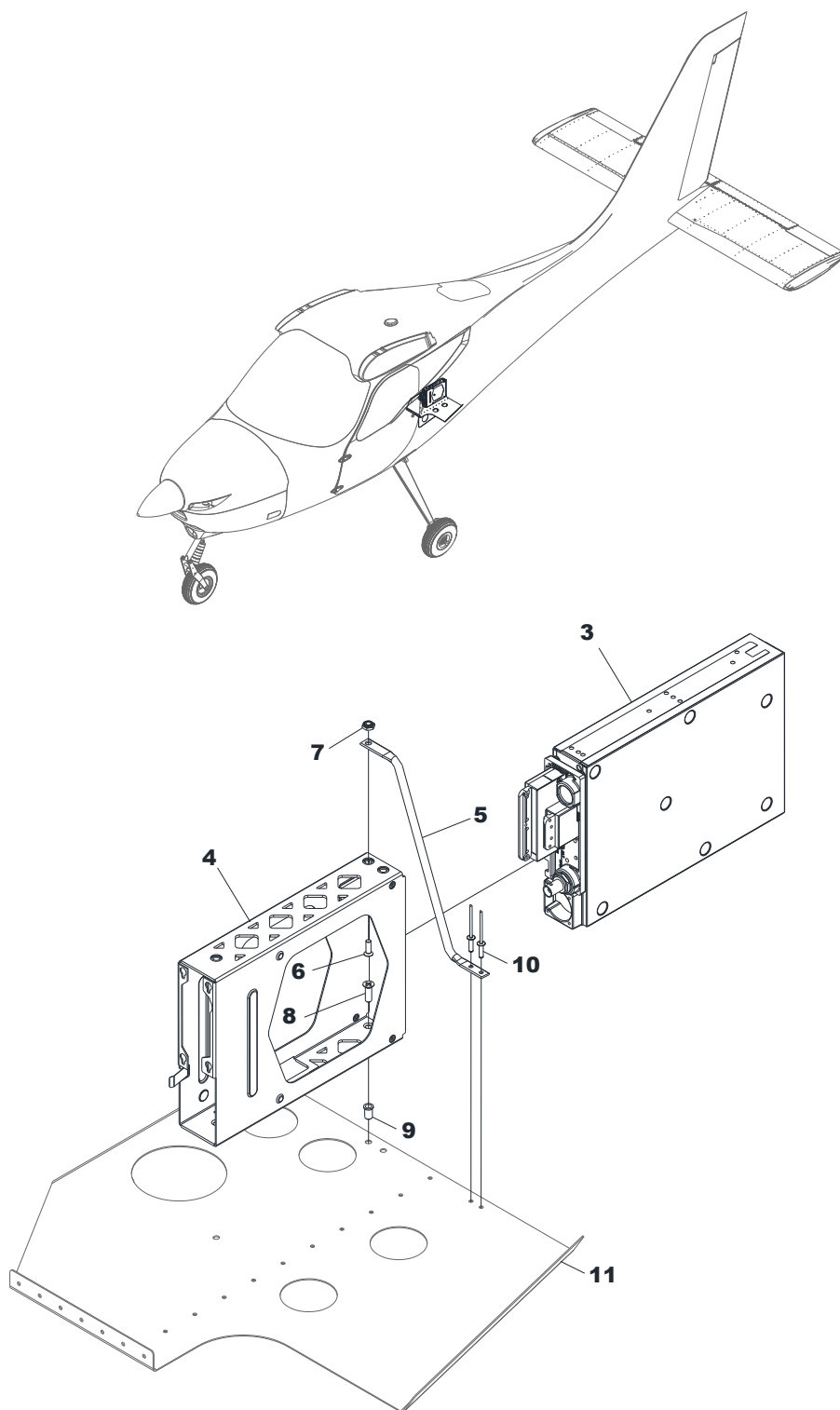


Figure 7 - Transponder GTX 35R

ATA 34-50 DEPENDENT POSITION DETERMINING



ILLUSTRATED PARTS CATALOGUE

*Ag2 Echo
MK2*

Ed. 1 Rev. 0

FIG.ITEM		P/N	DESCRIPTION	S/N	Q.ty LH RH	
	1	010-10040-01	GA 56 (KIT)			1
	2	010-10160-00	DME ANTENNA (KIT)			1
	3	010-01756-01	GTX 35R (FULL KIT)			1
	4	115-01771-00	MOUNTING RACK			1
	5	218-2-1176-1	TRANSPONDER SUPPORT			1
	6	MS24693-BB-27	SCREW			1
	7	MS21083N06	STOP NUT			1
	8	UNI7687-4-12	SCREW			3
	9	UNI9201-4	RIVNUT			3
	10	01633-00414	RIVNUT			2
	11	218-2-1138-001	AVIONIC EQUIPMENT STRUCTURE ASSY		1	

ATA 34-50 DEPENDENT POSITION DETERMINING



ILLUSTRATED PARTS CATALOGUE



Ed. 1 Rev. 0

INTENTIONALLY LEFT BLANK



ILLUSTRATED PARTS CATALOGUE

Ag2Echo
MK2

Ed. 1 Rev. 0

ATA 52 DOORS



ILLUSTRATED PARTS CATALOGUE



Ed. 1 Rev. 0

52. DOORS

-00. GENERAL.....	3
-10. PASSENGER/CREW.....	7
-40. SERVICE.....	15



ILLUSTRATED PARTS CATALOGUE



Ed. 1 Rev. 0

GENERAL

Ed. 1 Rev. 0

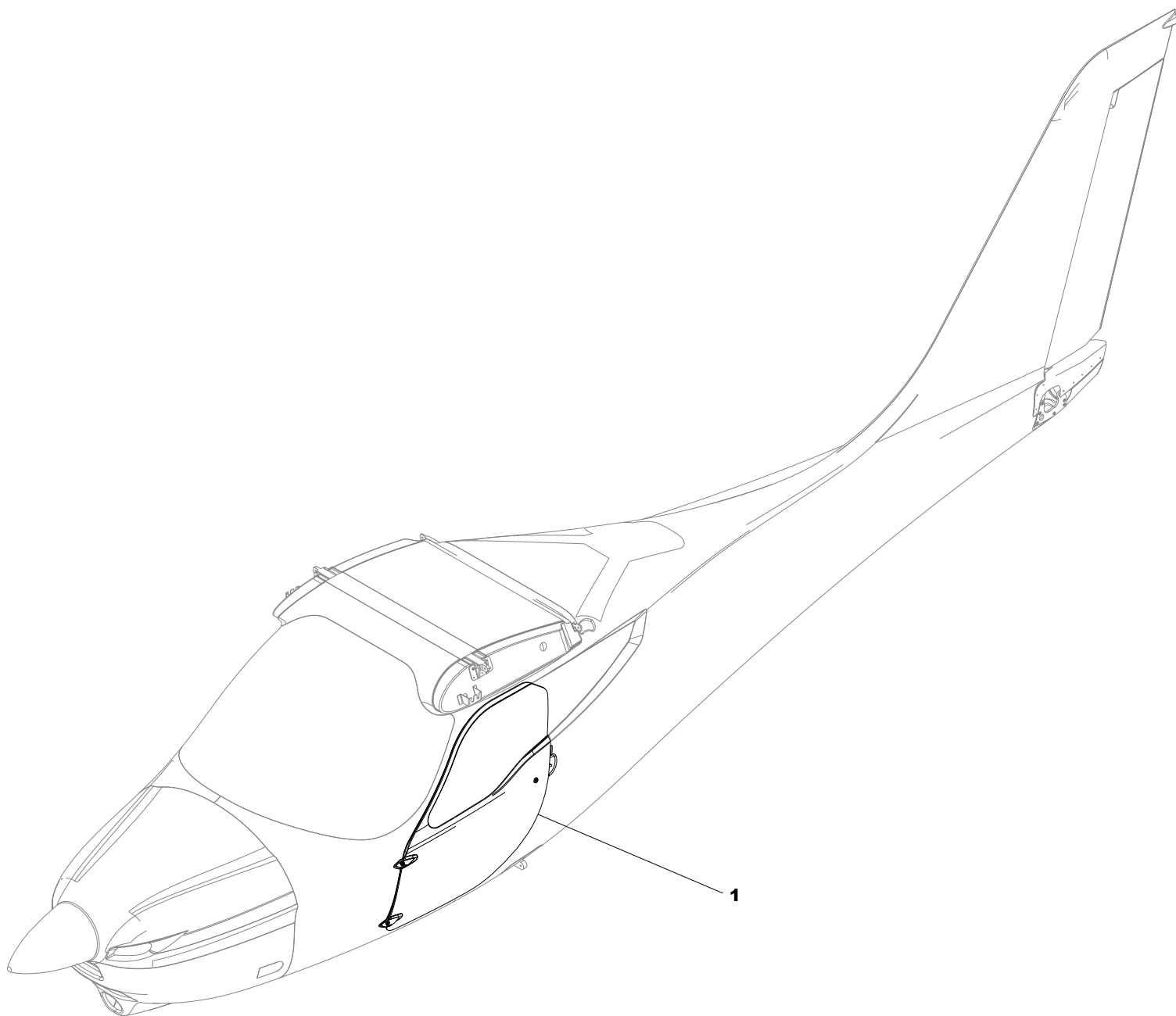


Figure 1 - General



ILLUSTRATED PARTS CATALOGUE



Ed. 1 Rev. 0

FIG.ITEM	P/N	DESCRIPTION	S/N	Q.ty	
				LH	RH
1	218-2-2010-001/2	DOOR ASSY		1	1



ILLUSTRATED PARTS CATALOGUE



Ed. 1 Rev. 0

INTENTIONALLY LEFT BLANK



ILLUSTRATED PARTS CATALOGUE



Ed. 1 Rev. 0

PASSENGER/CREW

Ed. 1 Rev. 0

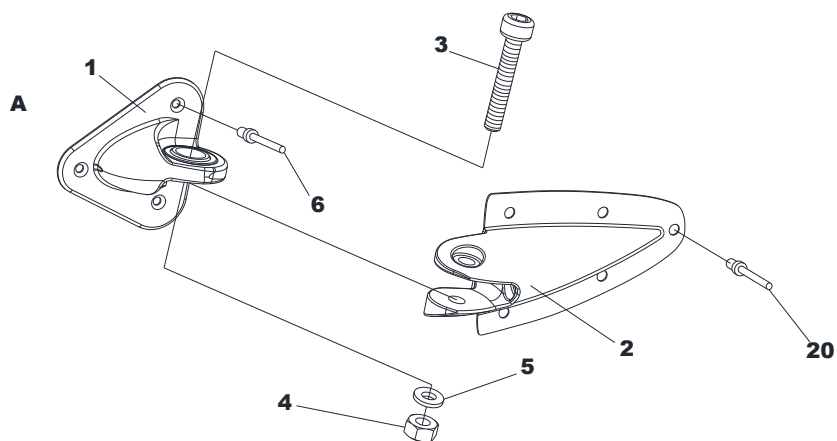
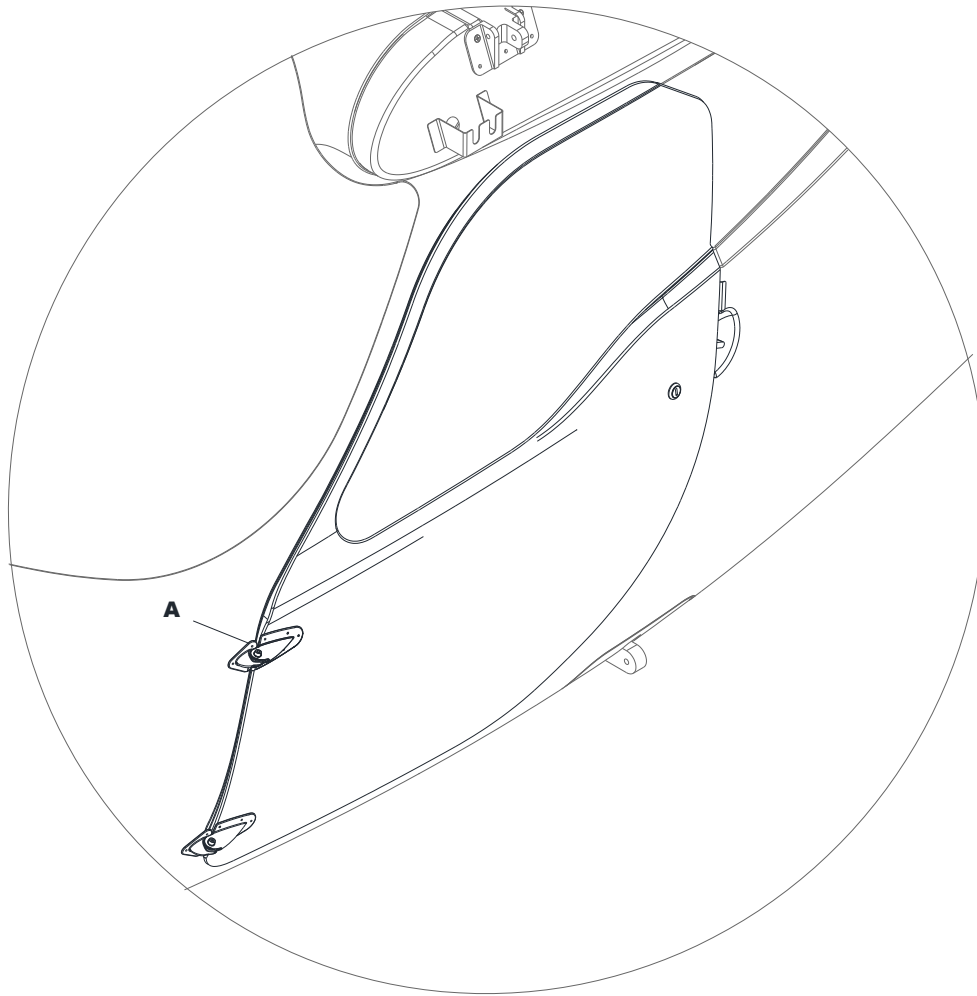


Figure 2 – Fuselage hinge

Ed. 1 Rev. 0

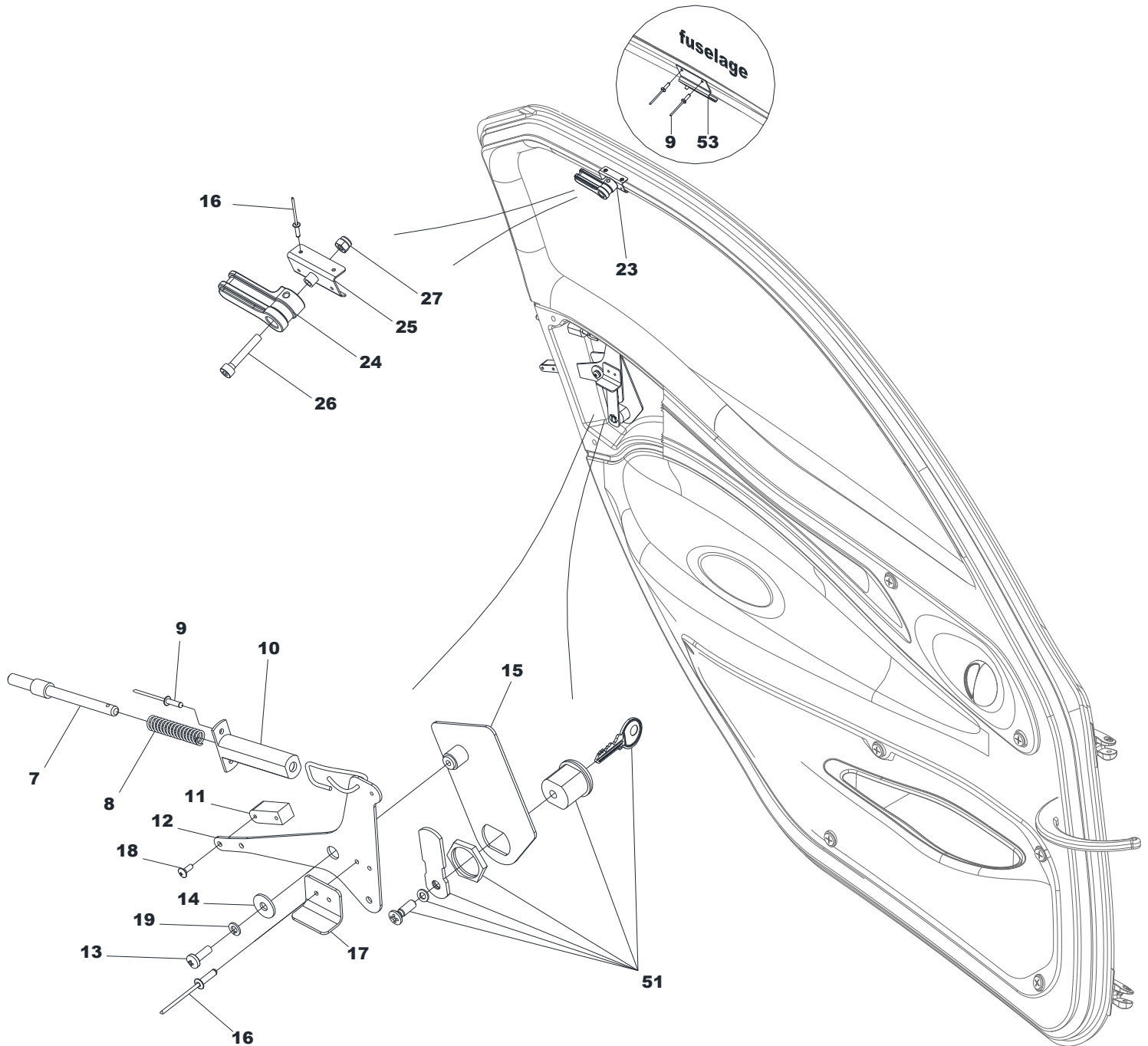


Figure 3 – Lock and handle system

Ed. 1 Rev. 0

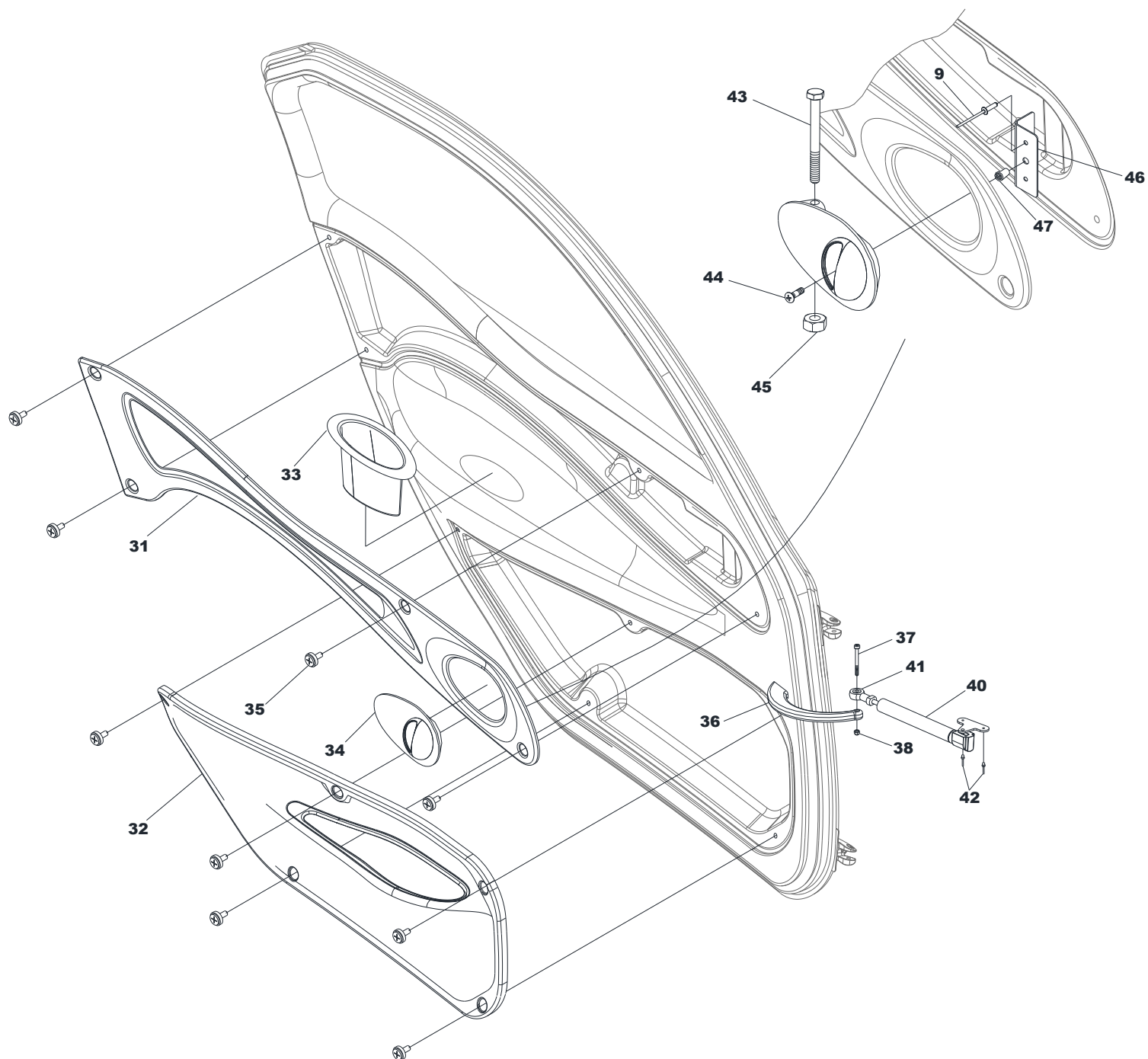


Figure 4 – Grab handle and opening system

Ed. 1 Rev. 0

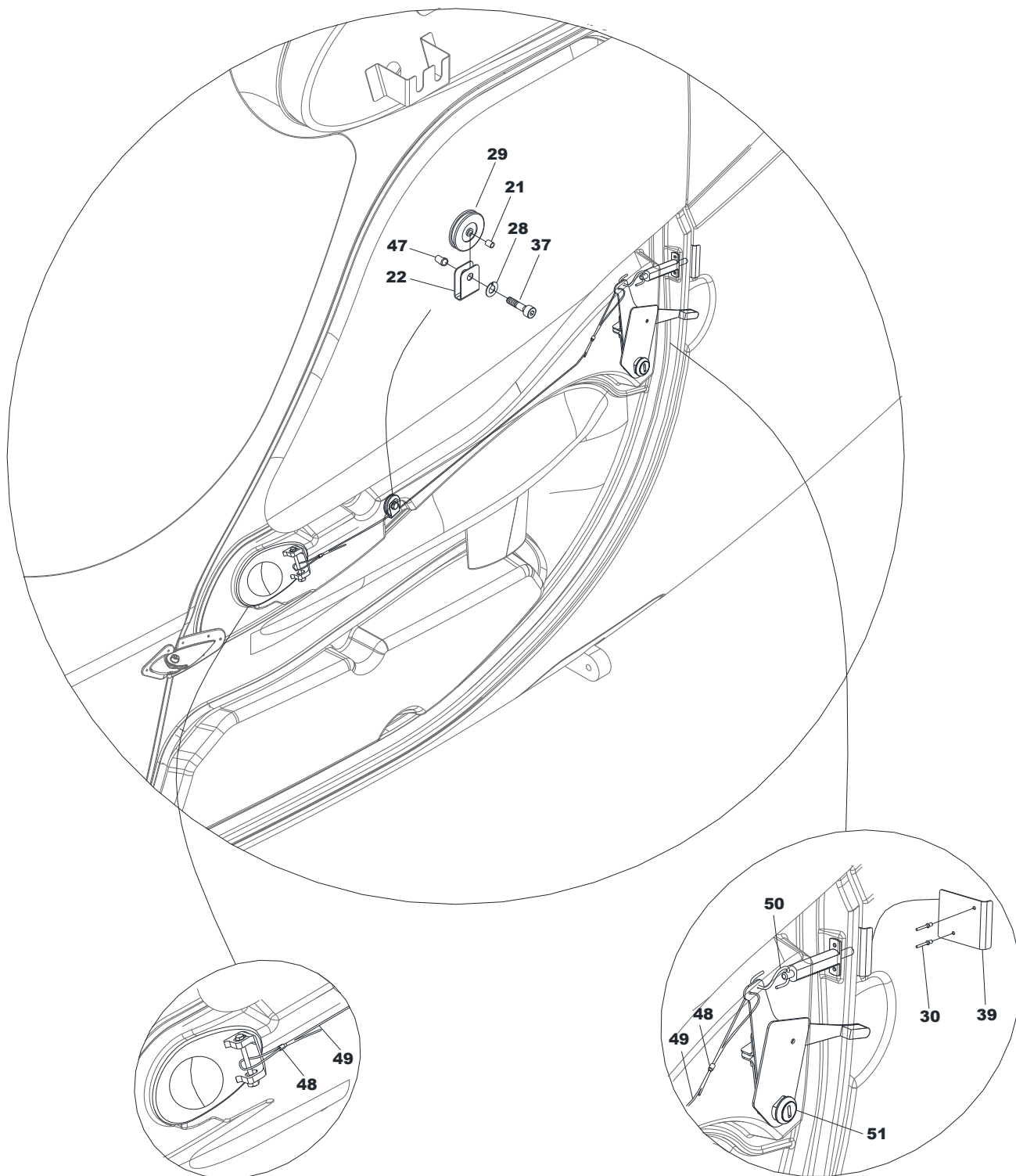


Figure 5 - Opening

FIG.ITEM	P/N	DESCRIPTION	S/N	Q.ty	
				LH	RH
1	28-2-1061-001	LOWER/UPPER FUSELAGE HINGE LH		2	
	28-2-1061-002	LOWER/UPPER FUSELAGE HINGE RH			2
2	210-2-2123-001	UPPER DOOR HINGE LH		1	
	210-2-2121-001	LOWER DOOR HINGE LH		1	
	210-2-2123-002	UPPER DOOR HINGE RH			1
	210-2-2121-002	LOWER DOOR HINGE RH			1
3	UNI 5931-5-25	BOLT HEX. HEAD		2	2
4	UNI 7473-5	STOP NUT		2	2
5	UNI 6592-5	WASHER		1	1
6	AVDEL01610-1267	RIVET		6	6
7	218-2-2050-1	ROD		1	1
8	28-2-1465-3	SPRING		1	1
9	AVDEL01633-00414	RIVETS		5	5
10	28-2-1465-2	GUIDE BUSH		1	1
11	218-2-2042-1	EXTERNAL DOOR HANDLE KNOB LH/RH		1	1
12	28-2-1500-4	LOCKING SYSTEM PLATE		2	
13	UNI7687-4-12	SCREW		2	
14	92-7-303-2	WASHER		2	
15	218-2-2045-001/002	LOCKING SYSTEM SUPPORT LH/RH		1	1
16	AVDEL01663-00410	RIVETS		8	
17	28-2-1500-6	LOCKING PLATE		2	
18	UNI7689-3-6	SCREW		4	
19	UNI1751-4	GROWER		2	
20	OBS11-00414	RIVET		10	10
21	210-6022-001	BUSHING		2	
22	210-5-6021-001	SUPPORT		2	
23	218-2-2060-000	INTERNAL HERMETIC LOCK SYSTEM ASSY		1	1
24	218-2-2064-1	INTERNAL HERMETIC LOCK HANDLE		1	1
25	218-2-2062-000	INTERNAL HERMETIC LOCK SYSTEM SUPPORT		1	1
26	UNI5931-4-25	BOLT INTERNAL HEX. HEAD		1	1
27	UNI7474-4	STOP NUT		1	1

Ed. 1 Rev. 0

28	UNI1751-4	GROWER			2
29	05-01852	PULLEY			2
30	AVDEL01663-00516	RIVETS			4
31	218-2-2014-1/2	INSPECTION PANEL LH/RH		1	1
32	218-2-2016-001/002	LOWER PANEL LH/RH		1	1
33	218-2-2020-1/2	OPENING BAY LH/RH		1	1
34	96314569	INTERNAL DOOR HANDLE LH		1	
	96314568	INTERNAL DOOR HANDLE RH			1
35	RIQG-14604560	CLIP		9	9
36	218-2-2030-1	INTERNAL HINGE			2
37	UNI5931-5-30	BOLT			4
38	UNI7474-5	STOP NUT			2
39	218-2-1156-1/2	DOOR STRIKE PLATE LH/RH		1	1
40	210-2-4210-001	PISTON			2
41	TSF5	TERMINAL UNIBALL			2
42	0BE61-00614	RIVETS			4
43	UNI5737-6-50	BOLT HEX. HEAD			2
44	UNI7687-4-12	SCREW			4
45	UNI7473-6	STOP NUT			2
46	28-12-6008-1	ANGULAR			2
47	M4FTS/C	RIVNUT			4
48	55101000000	RATCHT CABLE			4
49	CI3005005400	STAINLESS STEEL CALBE			2
50		STAINLESS CABLE			2
51	11-01600	LOCK (KIT)			2
52	218-2-2070-1/2	UPPER LOCK PLATE		1	1



ILLUSTRATED PARTS CATALOGUE



Ed. 1 Rev. 0

INTENTIONALLY LEFT BLANK



ILLUSTRATED PARTS CATALOGUE



Ed. 1 Rev. 0

SERVICE

Ed. 1 Rev. 0

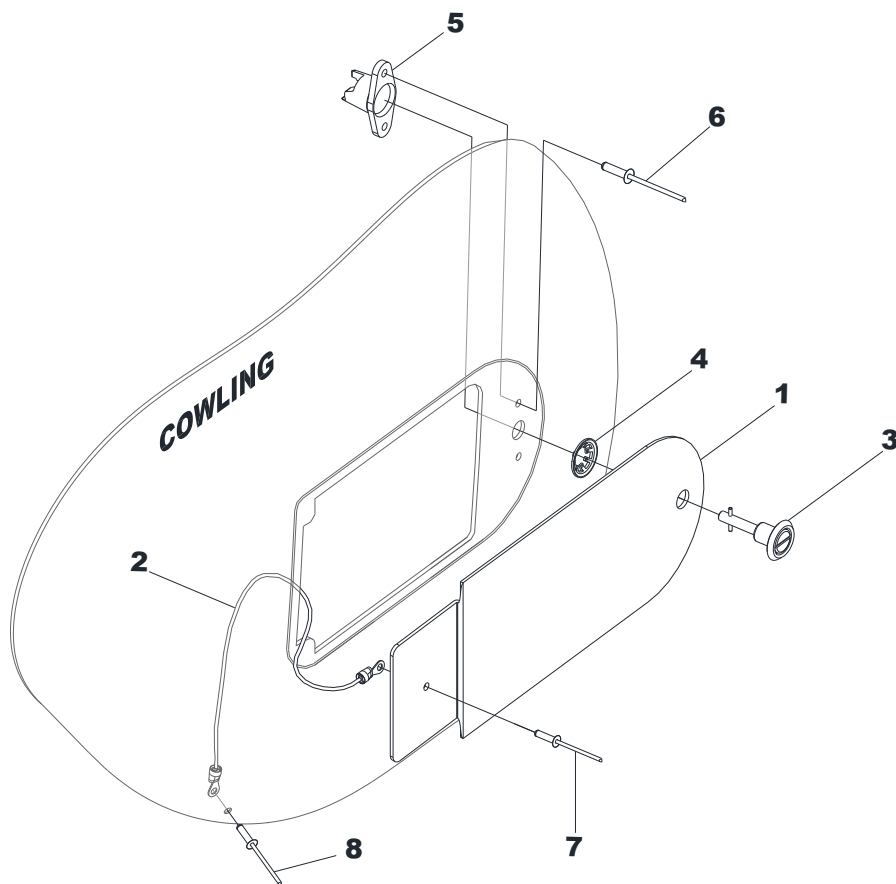
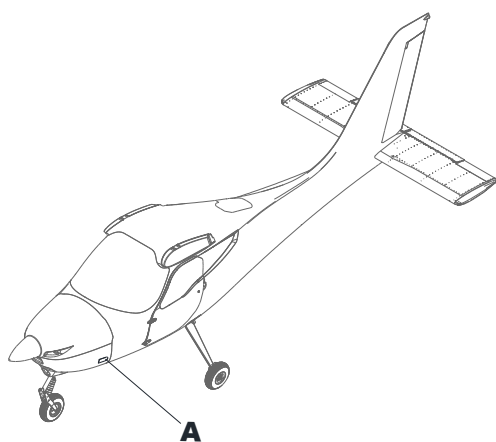


Figure 6 - External power door

Ed. 1 Rev. 0

FIG.ITEM	P/N	DESCRIPTION	S/N	Q.ty	
				LH	RH
A	218-10-1006-000	EXTERNAL POWER DOOR ASSY			1
1	218-10-1006-1	EXTERNAL POWER DOOR			1
2	218-10-1007-000	CABLE			1
3	2600-2	STUD			1
4	2600LW	WASHER			1
5	212-12N	CAMLOCK RECEPTACLE			1
6	OBD02-02407	BLIND RIVET (Ø 2.5MM)			2
7	01610-01267	BLIND RIVET (Ø 3.25MM)			1
8	01633-00414	BLIND RIVET (Ø 3.25MM)			1

Ed. 1 Rev. 0

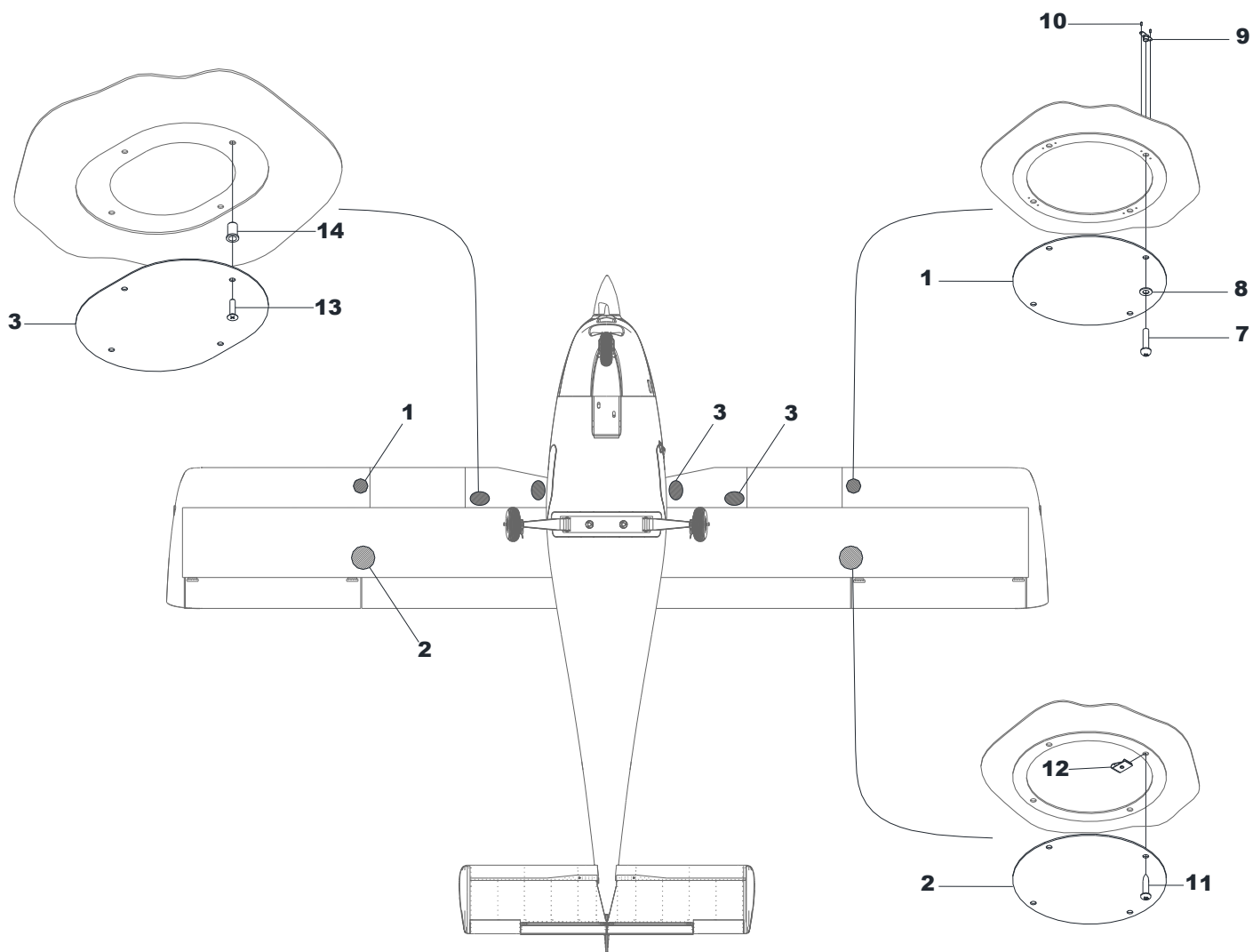


Figure 7 – Wing inspection panels

Ed. 1 Rev. 0

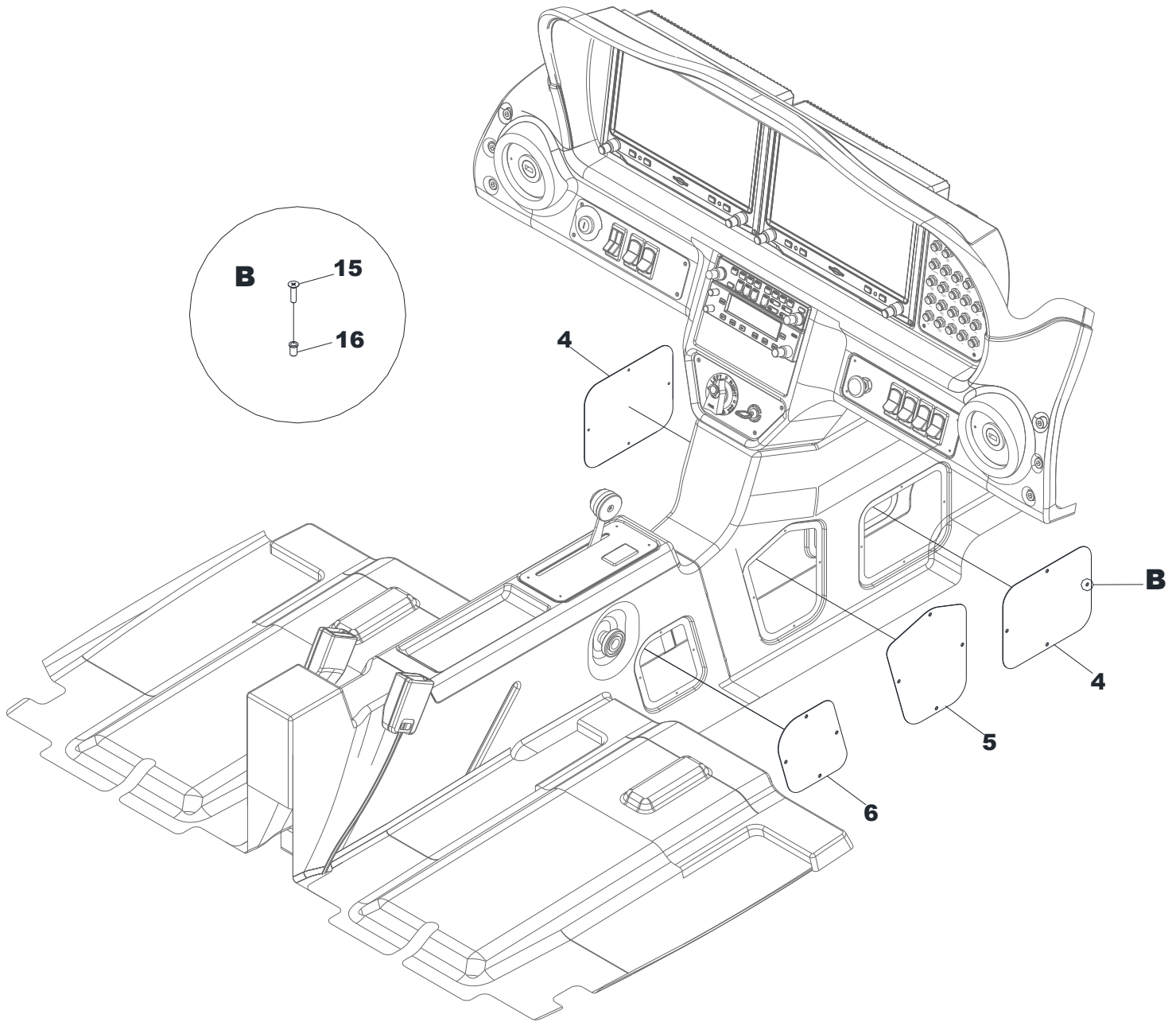


Figure 8 – Central pedestal inspection panels

Ed. 1 Rev. 0

FIG.ITEM	P/N	DESCRIPTION	S/N	Q.ty	
				LH	RH
1	22-1-227-3	INSPECTION PANEL		1	1
2	92-1-119-1	INSPECTION PANEL		1	1
3	21-1-912-1	INSPECTION PANEL		2	2
4	218-12-1050-1	CABIN INSPECTION PANEL		1	1
5	218-12-1052-1	CABIN INSPECTION PANEL			1
6	218-12-1054-1	CABIN INSPECTION PANEL			1
7	AN526C832R8	SCREW		4	4
8	BACW10BP3NDP	WASHER		4	4
9	MS21069L08	ANCHOR NUT		4	4
10	NAS1097AD4-3	SOLID RIVET		8	8
11	UNI7049-3.5-13	SCREW		4	4
12	NAS-395-3.5	CLIP NUT		4	4
13	UNI7687-4-12	SCREW		8	8
14	UNI9201-4	RIVNUT		8	8
15	DIN965-3-12	SCREW		4	12
16	UNI9201-3	RIVNUT		4	12



ILLUSTRATED PARTS CATALOGUE



Ed. 1 Rev. 0

ATA 53 FUSELAGE



ILLUSTRATED PARTS CATALOGUE



Ed. 1 Rev. 0

53. Fuselage

-00. GENERAL.....	3
-10. FUSELAGE STRUCTURE	7



ILLUSTRATED PARTS CATALOGUE



Ed. 1 Rev. 0

GENERAL

Ed. 1 Rev. 0

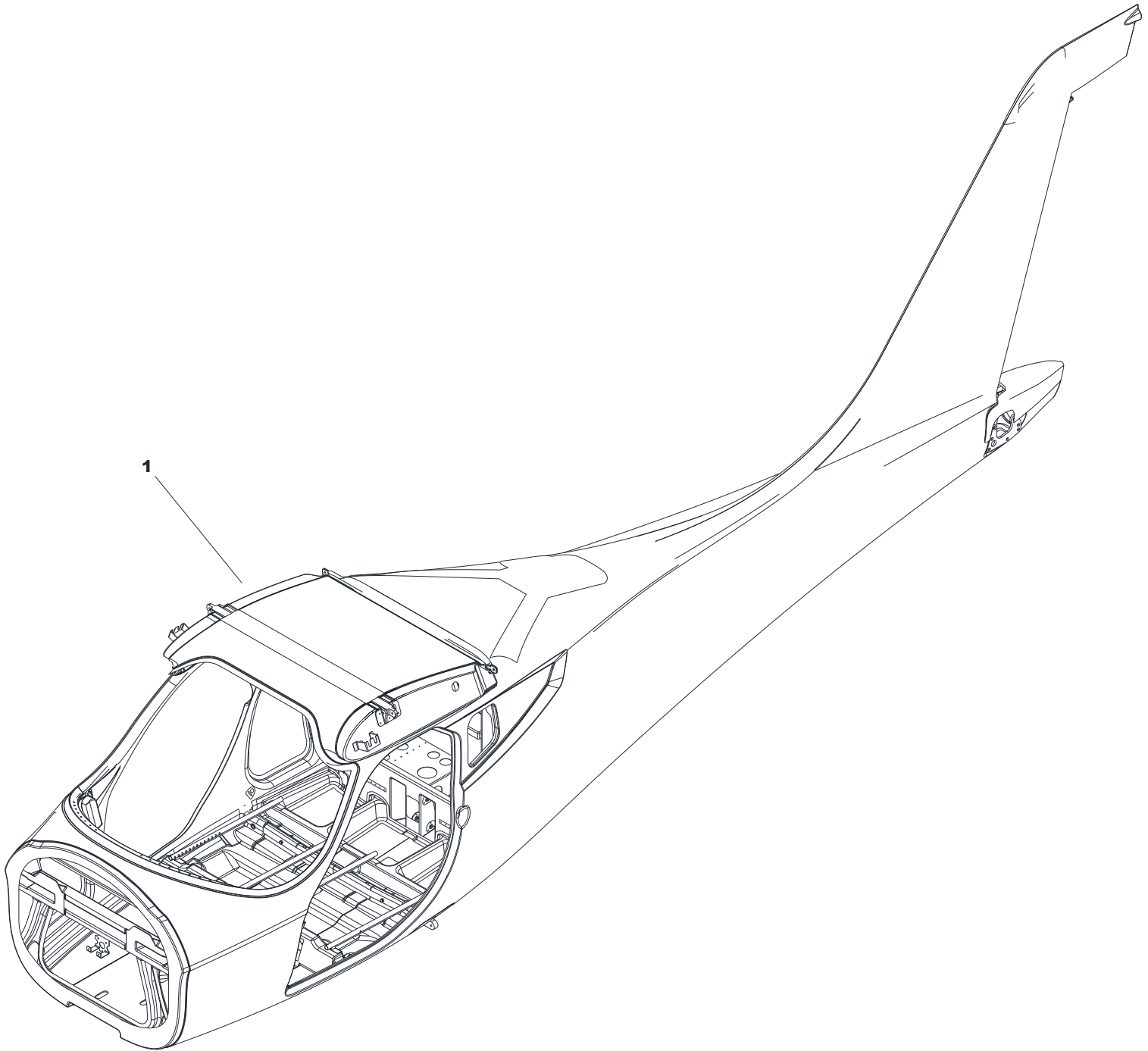


Figure 1 - General



ILLUSTRATED PARTS CATALOGUE



Ed. 1 Rev. 0

FIG.ITEM		P/N	DESCRIPTION	MOD / SB	Q.ty
	1	218-2-0000-000	FUSELAGE		1



ILLUSTRATED PARTS CATALOGUE



Ed. 1 Rev. 0

INTENTIONALLY LEFT BLANK



ILLUSTRATED PARTS CATALOGUE

Ag2Echo
MK2

Ed. 1 Rev. 0

FUSELAGE STRUCTURE

Ed. 1 Rev. 0

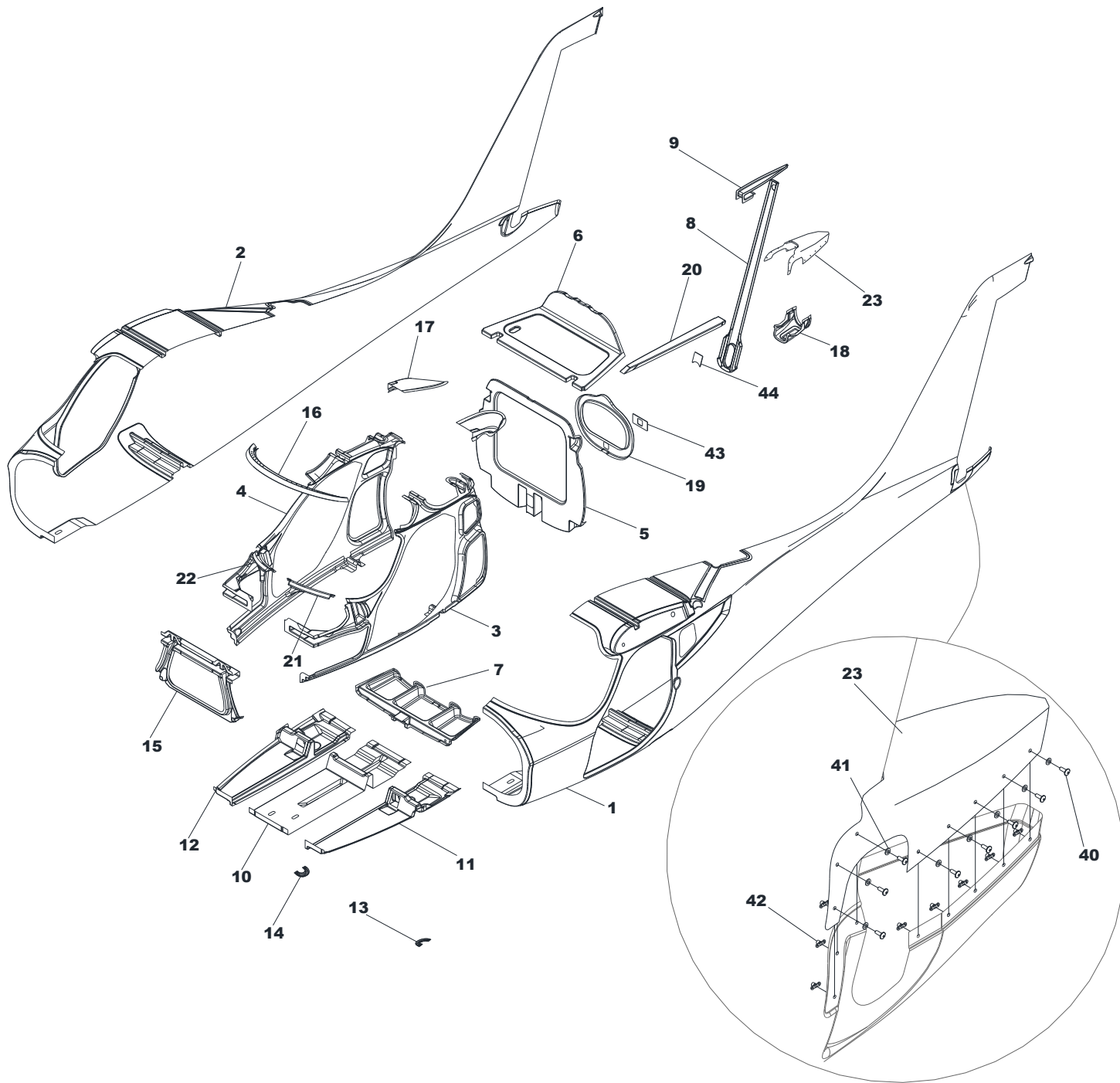


Figure 2 – Only carbon fiber fuselage parts (sheet 1)

Ed. 1 Rev. 0

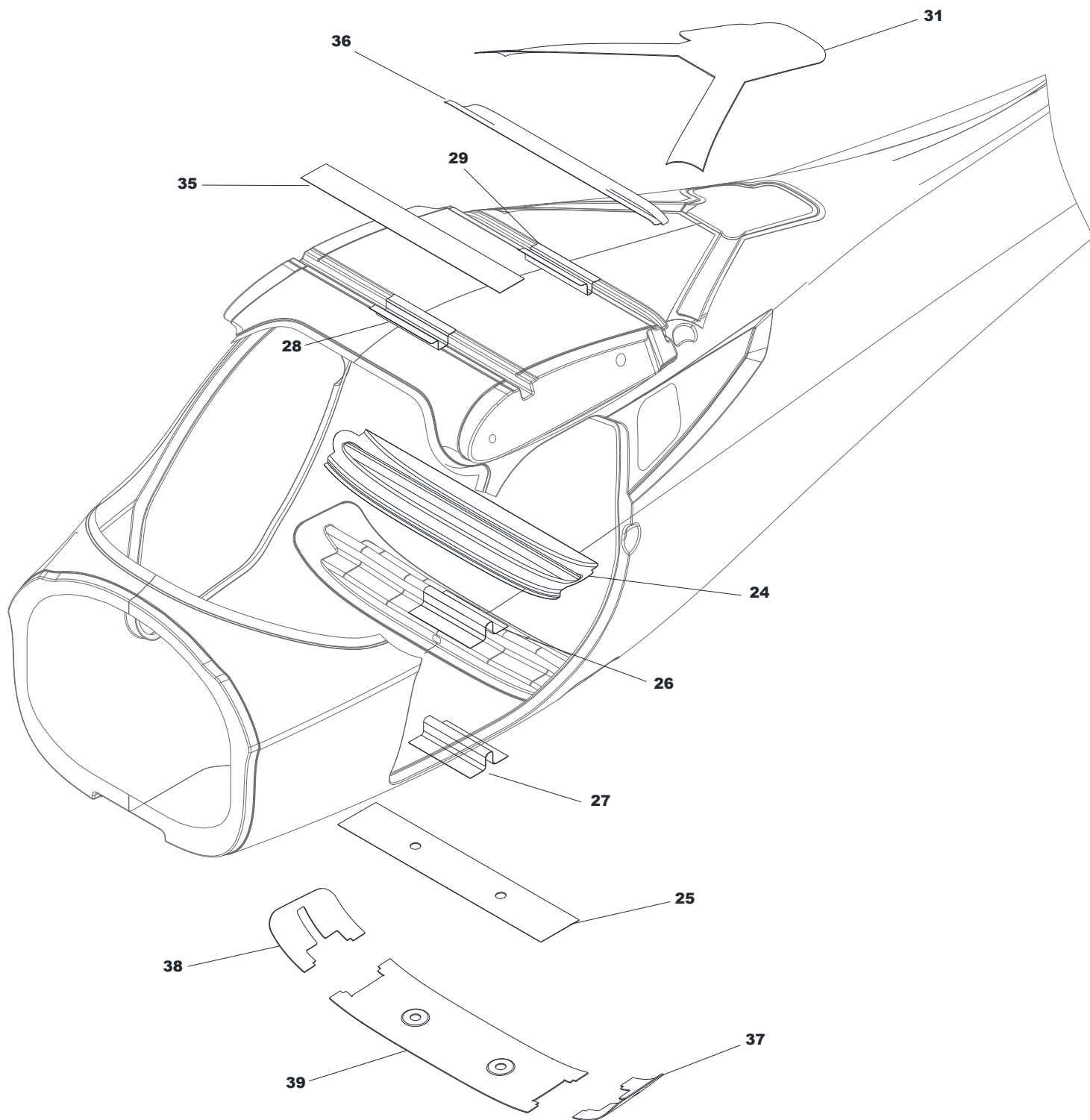


Figure 3 - Only carbon fiber fuselage parts (sheet 2)

Ed. 1 Rev. 0

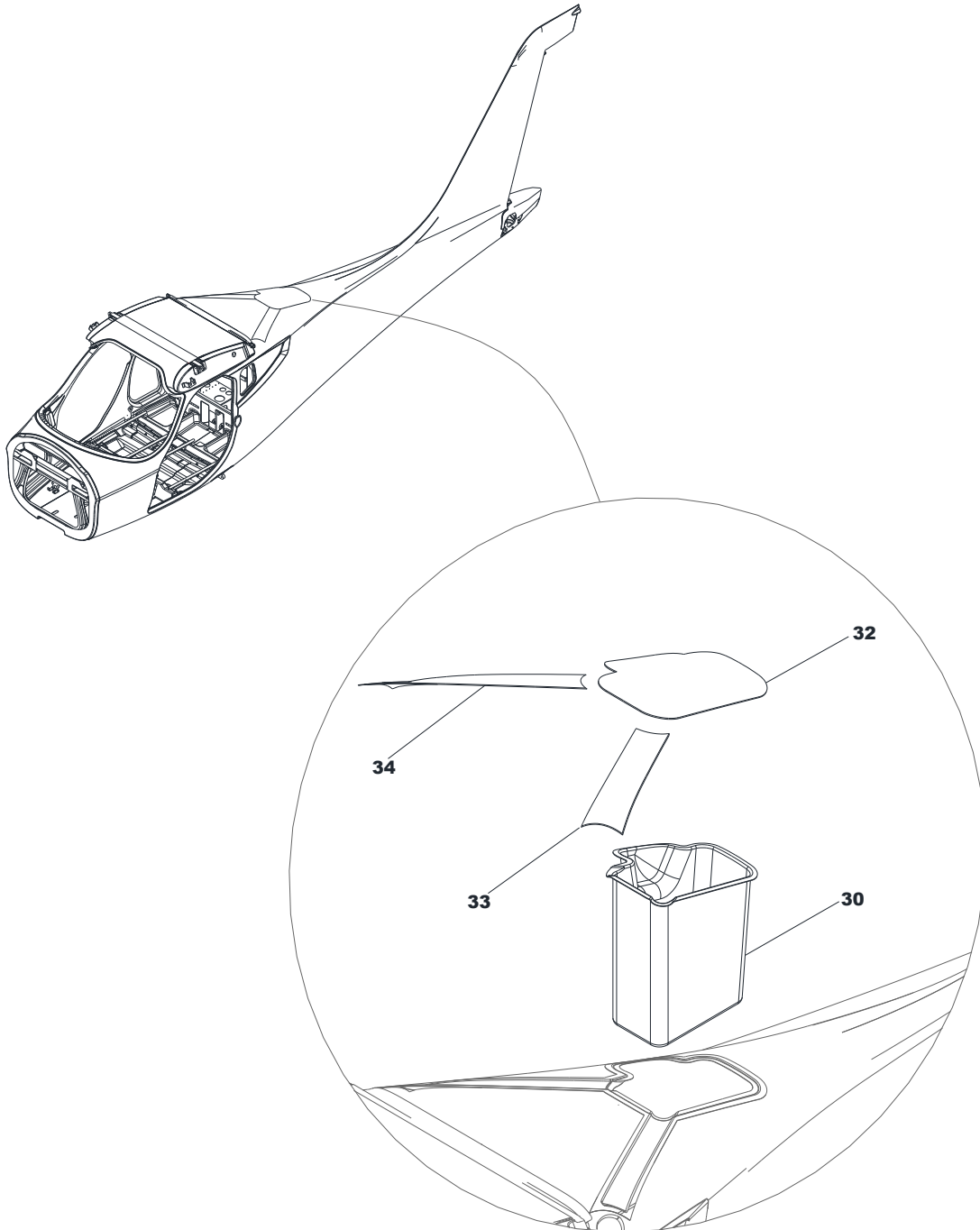


Figure 4 - Parachute parts installation detail

FIG.ITEM		P/N	DESCRIPTION	MOD /SB	Q.ty LH RH	
A		218-2-1000-000	FUSELAGE ASSY (CARBON FIBER)		1	
	1	218-2-1002-1	FUSELAGE SIDE PANEL LH		1	
	2	218-2-1002-2	FUSELAGE SIDE PANEL RH		1	
	3	218-2-1004-1	STRUCTURE SIDE LH		1	
	4	218-2-1004-2	STRUCTURE SIDE RH		1	
	5	218-2-1005-1	MAIN FRAME		1	
	6	218-2-1006-1	HORIZONTAL FRAME		1	
	7	218-2-1007-1	LOWER BAGGAGE STRUCTURE		1	
	8	218-2-1008-1	VERTICAL TAIL FRAME		1	
	9	218-2-1010-1	RIB VERTICAL TAIL		1	
	10	218-2-1012-1	CENTRAL FLOOR		1	
	11	218-2-1014-1	FLOOR SIDE LH		1	
	12	218-2-1014-2	FLOOR SIDE RH		1	
	13	218-2-1014-3	PULLEY REINFORCEMENT BEAD		1	
	14	218-2-1014-4	PULLEY REINFORCEMENT BEAD		1	
	15	218-2-1016-1	ENGINE MOUNT REINFORCEMENT		1	
	16	218-2-1018-1	WINDSHIELD FRAME		1	
	17	218-2-1026-1	FLAP FUSELAGE JUNCTION		1	1
	18	218-2-1028-1	TAILCONE REINFORCEMENT		1	
	19	218-2-1030-1	FRAME		1	
	20	218-2-1032-1	RUDDER RIB		1	
	21	218-2-1034-1	AIR DUCT DEFROST LH		1	
	22	218-2-1034-2	AIR DUCT DEFROST RH		1	
	23	218-2-1048-1	TAILCONE FAIRING		1	
	24	218-2-1001-1	MLG REINFORCEMENT		1	
	25	218-2-1003-1	MLG LOWER PANEL		1	
	26	218-2-1019-1	MLG INTERNAL OMEGA REINFORCEMENT		1	
	27	218-2-1019-2	MLG EXTERNAL OMEGA REINFORCEMENT		1	
	28	218-2-1020-1	FRONT SPAR OMEGA REINFORCEMENT		1	
	29	218-2-1021-1	REAR SPAR OMEGA REINFORCEMENT		1	

FIG.ITEM		P/N	DESCRIPTION	MOD /SB	Q.ty LH RH	
30		218-2-1022-1	BRS PARACHUTE HOUSING		1	
31		218-2-1042-3	BRS PARACHUTE COVER		1	
32		218-2-1040-000	BRS PARACHUTE ENCLOSURE COVER		1	
33		218-2-1042-1	BRS PARACHUTE ROPE COVER LH		1	
34		218-2-1042-2	BRS PARACHUTE ROPE COVER RH		1	
35		218-2-1044-1	FRONT SPAR COVER		1	
36		218-2-1046-1	REAR SPAR COVER		1	
37		218-2-1050-1	MLG ATTACHMENT FUSELAGE SKIN LH		1	
38		218-2-1050-2	MLG ATTACHMENT FUSELAGE SKIN RH		1	
39		218-2-1050-3	MLG ATTACHMENT FUSELAGE SKIN CENTRAL SIDE		1	
40		AN526C-832R8	SCREW		8	8
41		BACW10BP3NDP	WASHER		8	8
42		MS21069-L08	ANCHOR NUT		8	8
43		218-2-1031-1	FRAME REINFORCEMENT		1	
44		218-2-1009-1	VERTICAL TAIL FRAME THICKNESS		1	

Ed. 1 Rev. 0

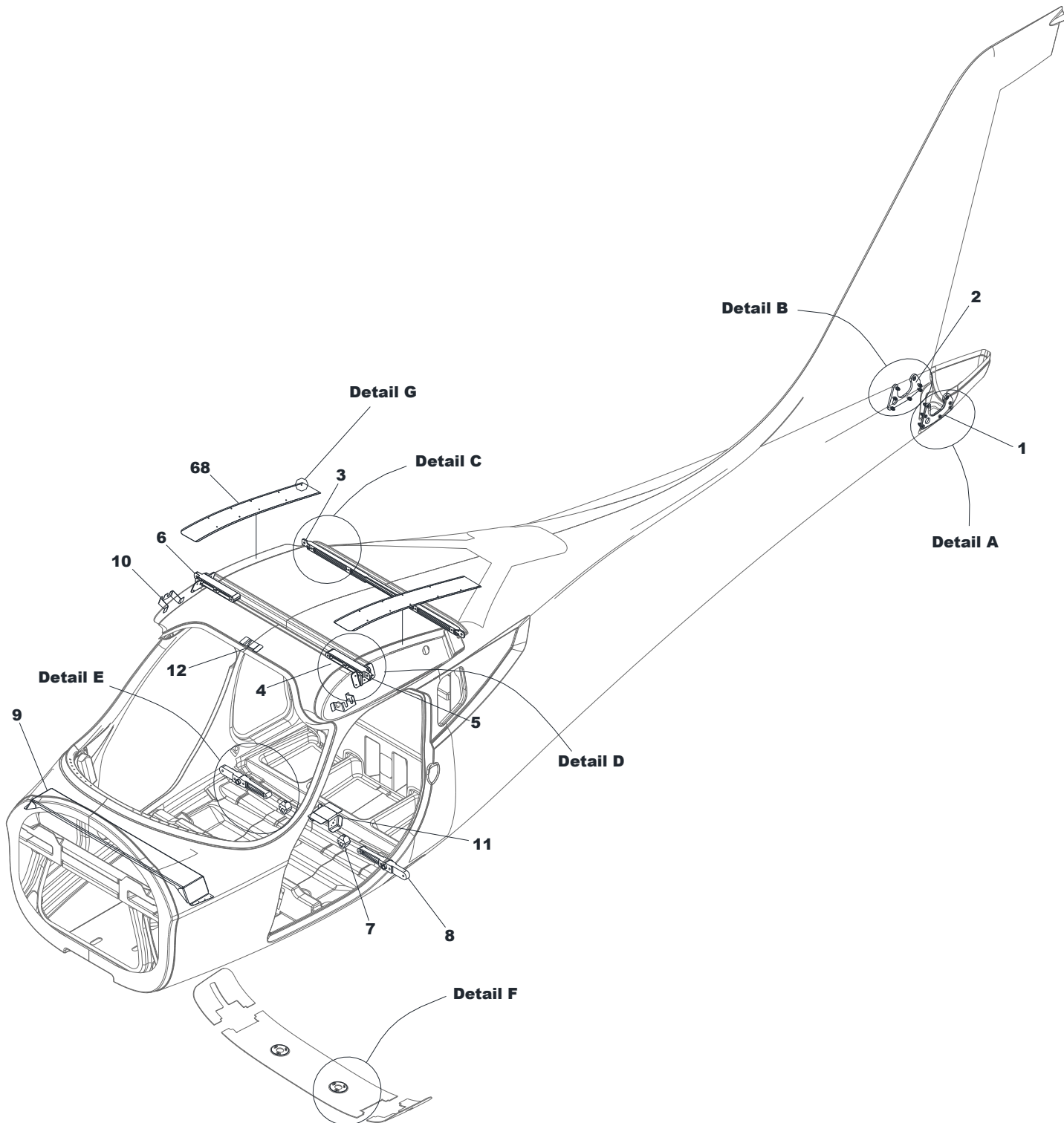
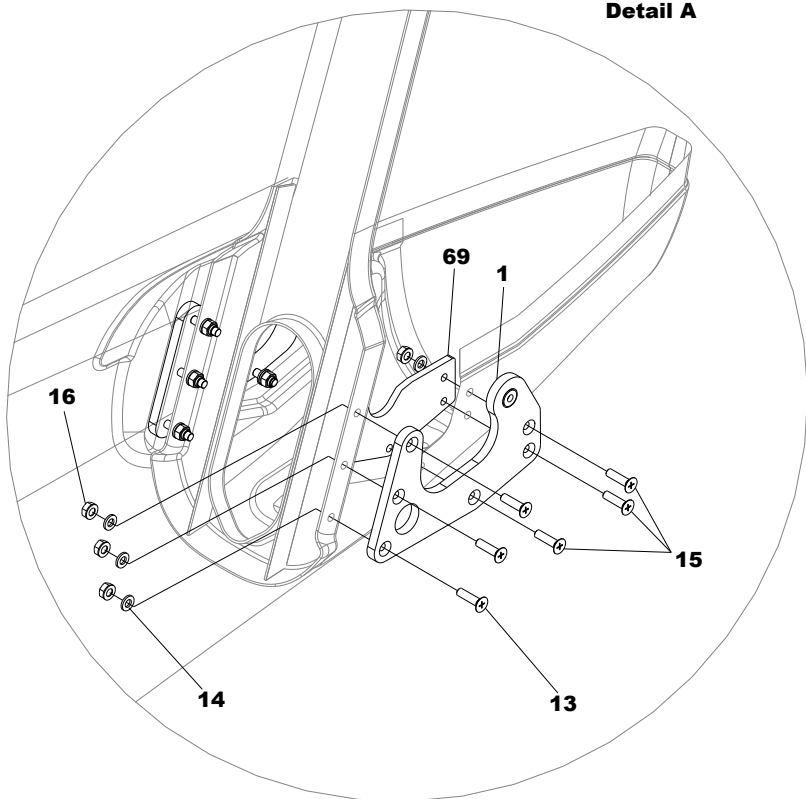


Figure 5 - Fuselage metallic parts (sheet 1)

Ed. 1 Rev. 0

Detail A



Detail B

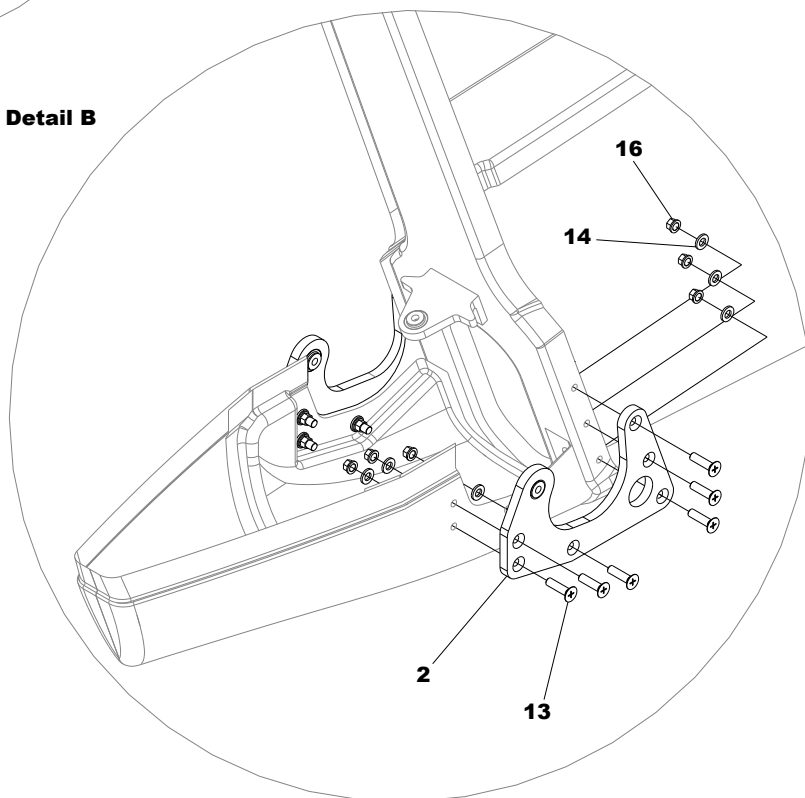


Figure 6 - Detail A / Detail B

Ed. 1 Rev. 0

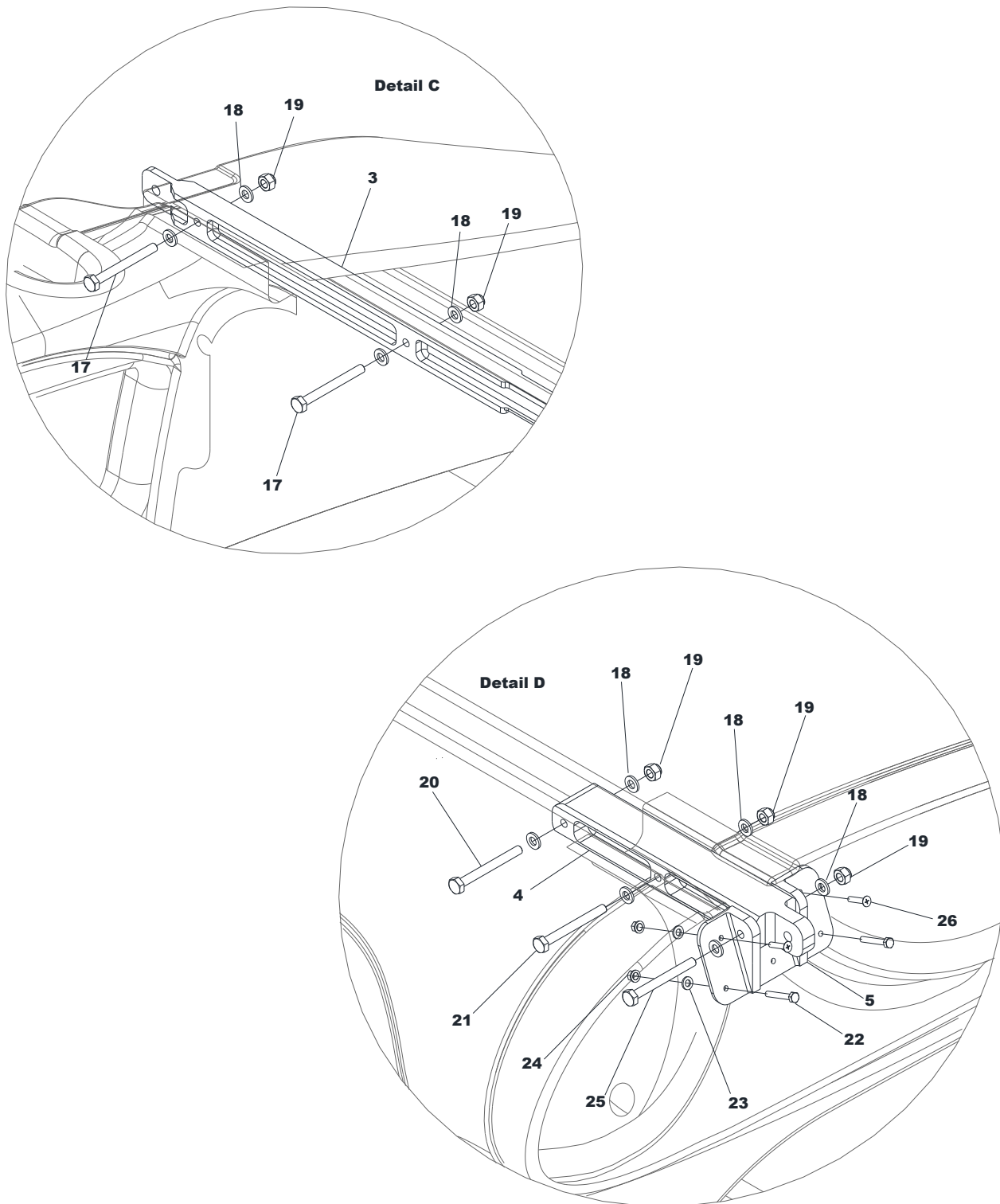


Figure 7 - Detail C / Detail D

Ed. 1 Rev. 0

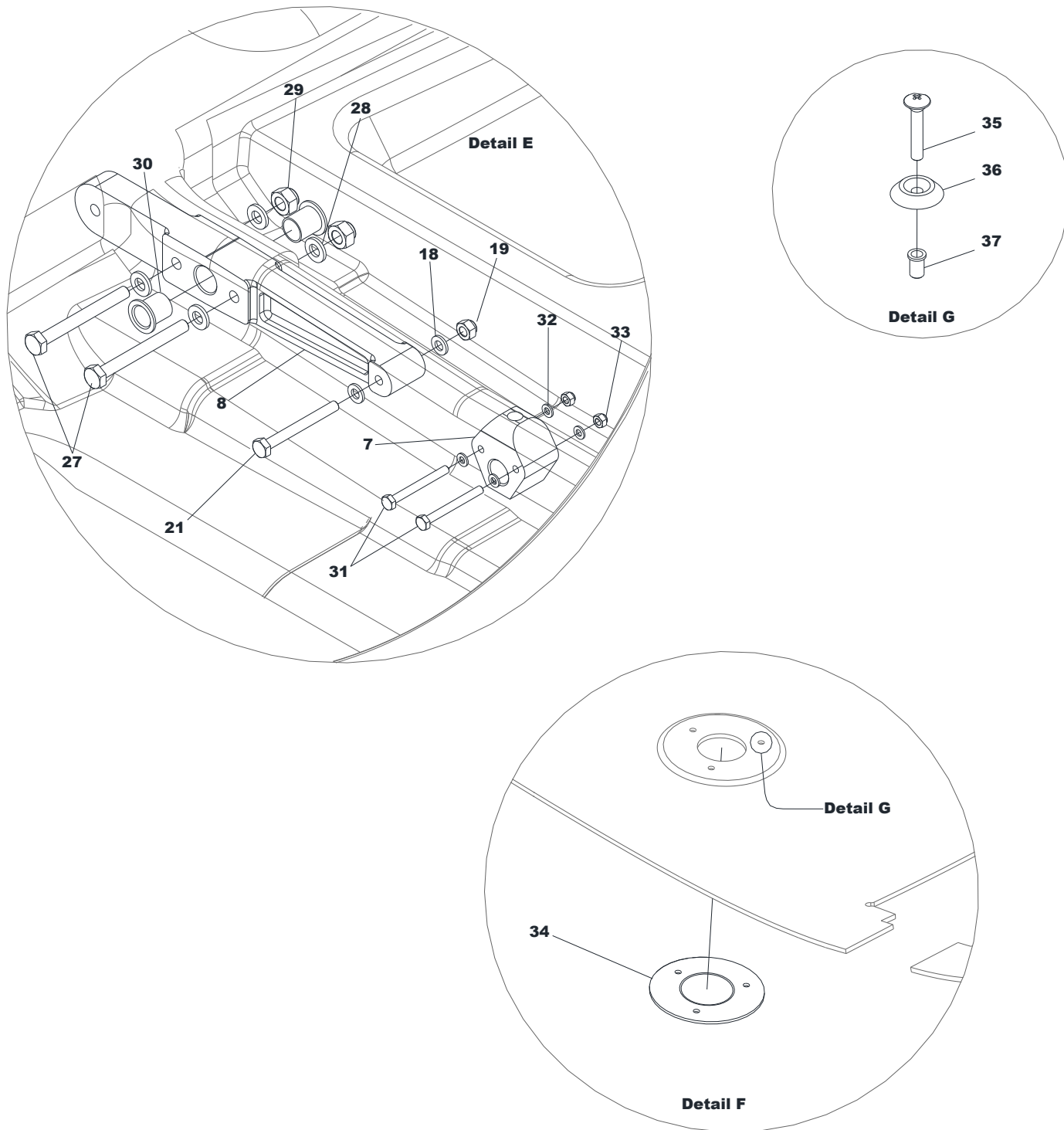


Figure 8 - Detail E / Detail F / Detail G

Ed. 1 Rev. 0

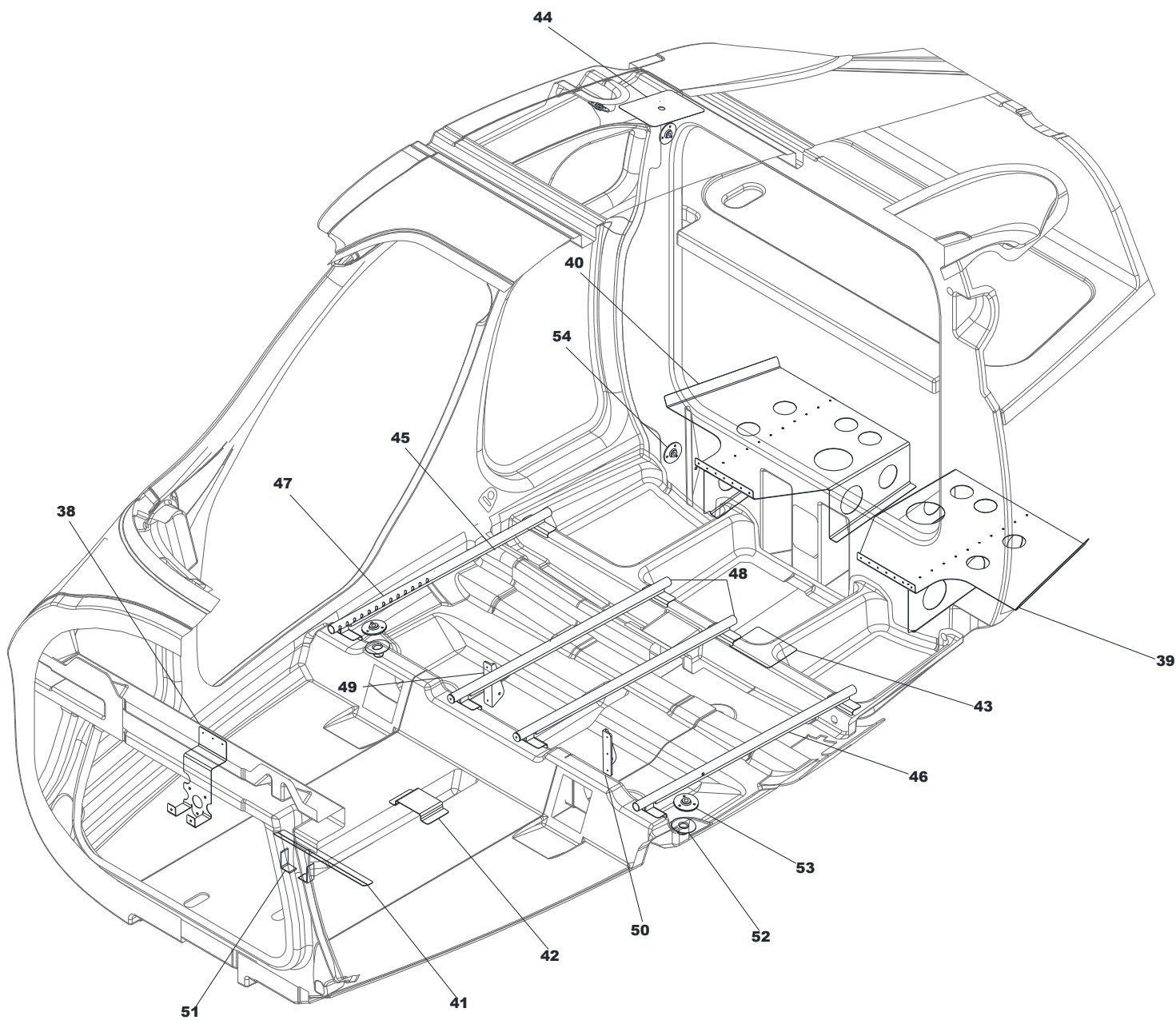


Figure 9 - Fuselage metallic parts (sheet 2)

Ed. 1 Rev. 0

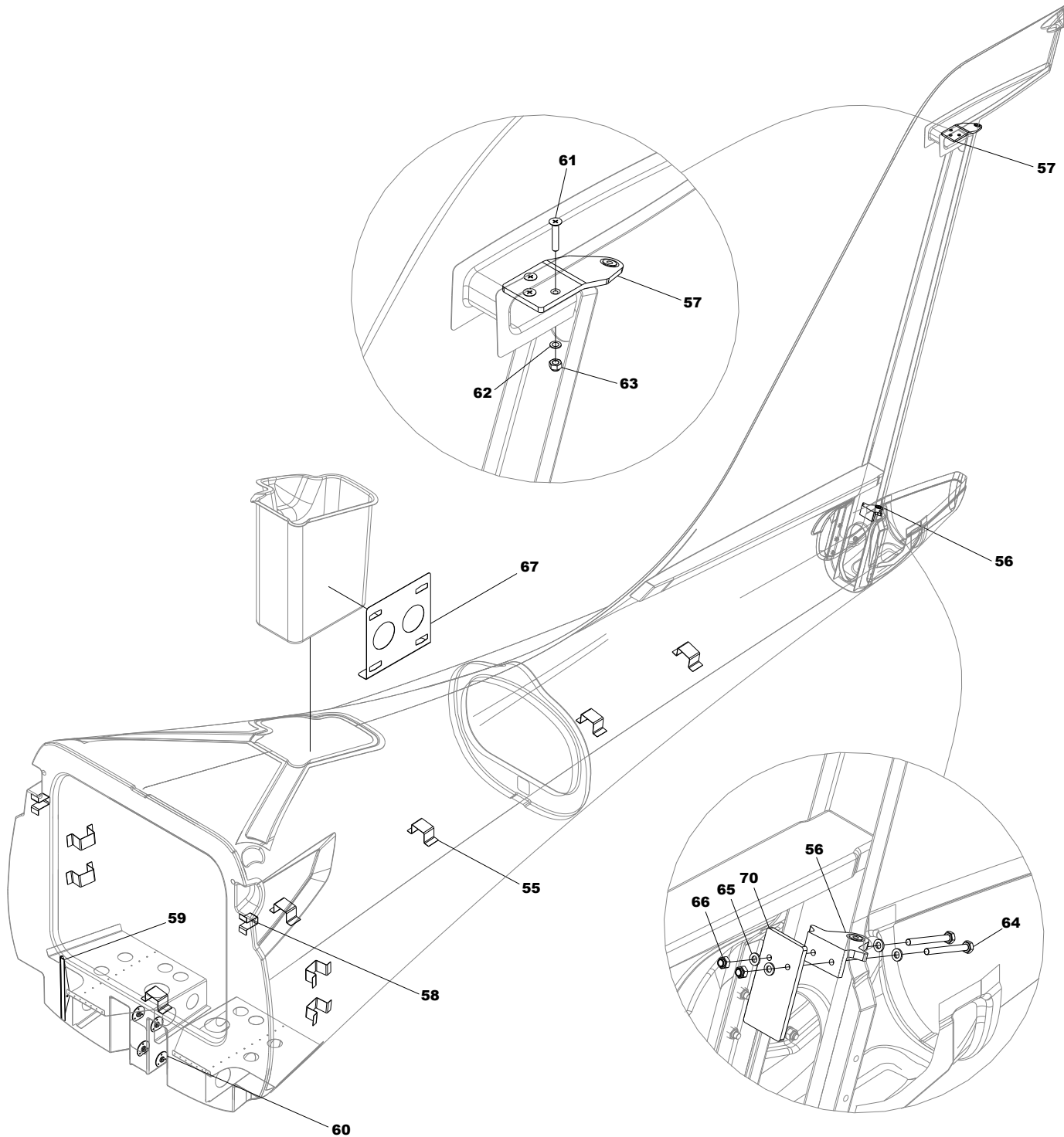


Figure 10 - Fuselage metallic parts (sheet 3)

FIG.ITEM		P/N	DESCRIPTION	MOD /SB	Q.ty LH RH	
A		218-2-1100-000	FUSELAGE ASSY (METALLIC PARTS)		1	
	1	218-2-1106-001	HORIZONTAL STABILATOR SUPPORT LH		1	
	2	218-2-1106-002	HORIZONTAL STABILATOR SUPPORT RH		1	
	3	218-2-1108-1	REAR SPAR BEAM		1	
	4	218-2-1110-1	FRONT SPAR BEAM		1	1
	5	218-2-1112-1	FRONT SPAR BEAM SUPPORT FORK LH		1	
	6	218-2-1112-2	FRONT SPAR BEAM SUPPORT FORK RH		1	
	7	218-2-1114-1	LG BEAM INTERNAL BLOCK		1	1
	8	218-2-1116-1	WING STRUT LOWER BEAM		1	1
	9	218-2-1130-1	WIRING SUPPORT BRIDGE		1	
	10	218-2-1134-1	SUPPORT (FUEL SYSTEM)		1	1
	11	218-2-1136-1	SAFETY BELT LOWER ATTACHMENT		1	
	12	218-2-1142-1	CEILING SUPPORT		1	
	13	MS24694-S102	SCREW		3	6
	14	AN960-416	WASHER		6	6
	15	MS24694-S106	SCREW		3	
	16	MS21042-4	STOP NUT		6	6
	17	AN4-15A	BOLT		2	2
	18	AN960-416	WASHER		12	12
	19	AN365-428	STOP NUT		6	6
	20	AN4-22A	BOLT		1	1
	21	AN4-24A	BOLT		2	2
	22	AN3-6A	BOLT		2	2
	23	BACW10BP3NDP	WASHER		4	4
	24	MS21042-3	STOP NUT		4	4
	25	AN4-25A	BOLT		1	1
	26	MS24694-S54	SCREW		2	2
	27	AN5-24A	BOLT		2	2
	28	AN960-516	WASHER		4	4

FIG.ITEM		P/N	DESCRIPTION	MOD /SB	Q.ty LH RH	
29		AN365-524	STOP NUT		2	2
30		218-2-1118-1	BUSHING		2	2
31		AN3-23A	BOLT		2	2
32		AN960-10	WASHER		4	4
33		AN365-1032	STOP NUT		2	2
34		218-2-1146-1	MLG CAP		1	1
35		UNI7689-3-12	SCREW		24	
36		OT63	WASHER		24	
37		UNI9101-3	RIVNUT		24	
38		218-2-1132-1	ANDAIR VALVE SUPPORT		1	
39		218-2-1138-001	AVIONIC EQUIPMENT STRUCTURE ASSY LH		1	
40		218-2-1138-002	AVIONIC EQUIPMENT STRUCTURE ASSY RH		1	
41		218-2-1148-1	ANGULAR REINFORCEMENT		1	
42		218-2-1150-1	PARKING BRAKE SUPPORT		1	
43		218-2-1152-1	STATIC DRAINAGE REINFORCEMENT PLATE		1	
44		218-2-1154-1	ELT REINFORCEMENT PLATE		1	
45		218-2-1200-000	SEAT RAILS ASSY		1	
46		218-2-1200-001	EXTERNAL SEAT RAILS ASSY LH		1	
47		218-2-1200-002	EXTERNAL SEAT RAILS ASSY RH		1	
48		218-2-1200-003	INTERNAL SEAT RAILS ASSY		2	
49		28-2-1440-1	SUPPORT RH		1	
50		28-2-1440-2	SUPPORT LH		1	
51		20-2-362-2	ANGULAR SUPPORT		1	1
52		218-2-1122-2	PULLEY SUPPORT REINFORCEMENT		1	1
53		218-2-1122-1	FWD PULLEY SUPPORT (AILERON)		1	1
54		218-2-1124-1	RWD PULLEY SUPPORT (AILERON)		3	3
55		28-2-2022-1	OMEGA SUPPORT		9	
56		218-2-1101-000	RUDDER LOWER HINGE ASSY		1	
57		28-2-1242-000	UPPER RUDDER HINGE ASSY		1	
58		210-2-4121-001	SUPPORT		1	1
59		218-2-1128-1	ACTUATOR FLAP SUPPORT		1	

FIG.ITEM		P/N	DESCRIPTION	MOD /SB	Q.ty LH RH	
60		218-2-1126-1	SUPPORT (BELLCRANK ZONE)		2	2
61		UNI5933-5-45	SCREW		3	
62		UNI6592-5	WASHER		3	
63		UNI7473-5	STOP NUT		3	
64		AN4-11A	BOLT		2	
65		AN960-416	WASHER		4	
66		MS21042-4	STOP NUT		2	
67		218-2-1160-1	PARACHUTE SUPPORT PLATE		1	
68		218-2-1174-1	FUSELAGE-WING COVER		2	
69		218-2-1164-1	PITCH TRAVEL LIMIT (DOWN)		1	
70		218-2-1162-1	PITCH TRAVEL LIMIT (UP)		1	



ILLUSTRATED PARTS CATALOGUE

Ag2Echo
MK2

Ed. 1 Rev. 0

INTENTIONALLY LEFT BLANK



ILLUSTRATED PARTS CATALOGUE



Ed. 1 Rev. 0

ATA 55 STABILIZERS



ILLUSTRATED PARTS CATALOGUE



Ed. 1 Rev. 0

55. STABILIZERS

-00. GENERAL.....	3
-10. STABILATOR.....	7
-40. RUDDER.....	13



ILLUSTRATED PARTS CATALOGUE



Ed. 1 Rev. 0

GENERAL

Ed. 1 Rev. 0

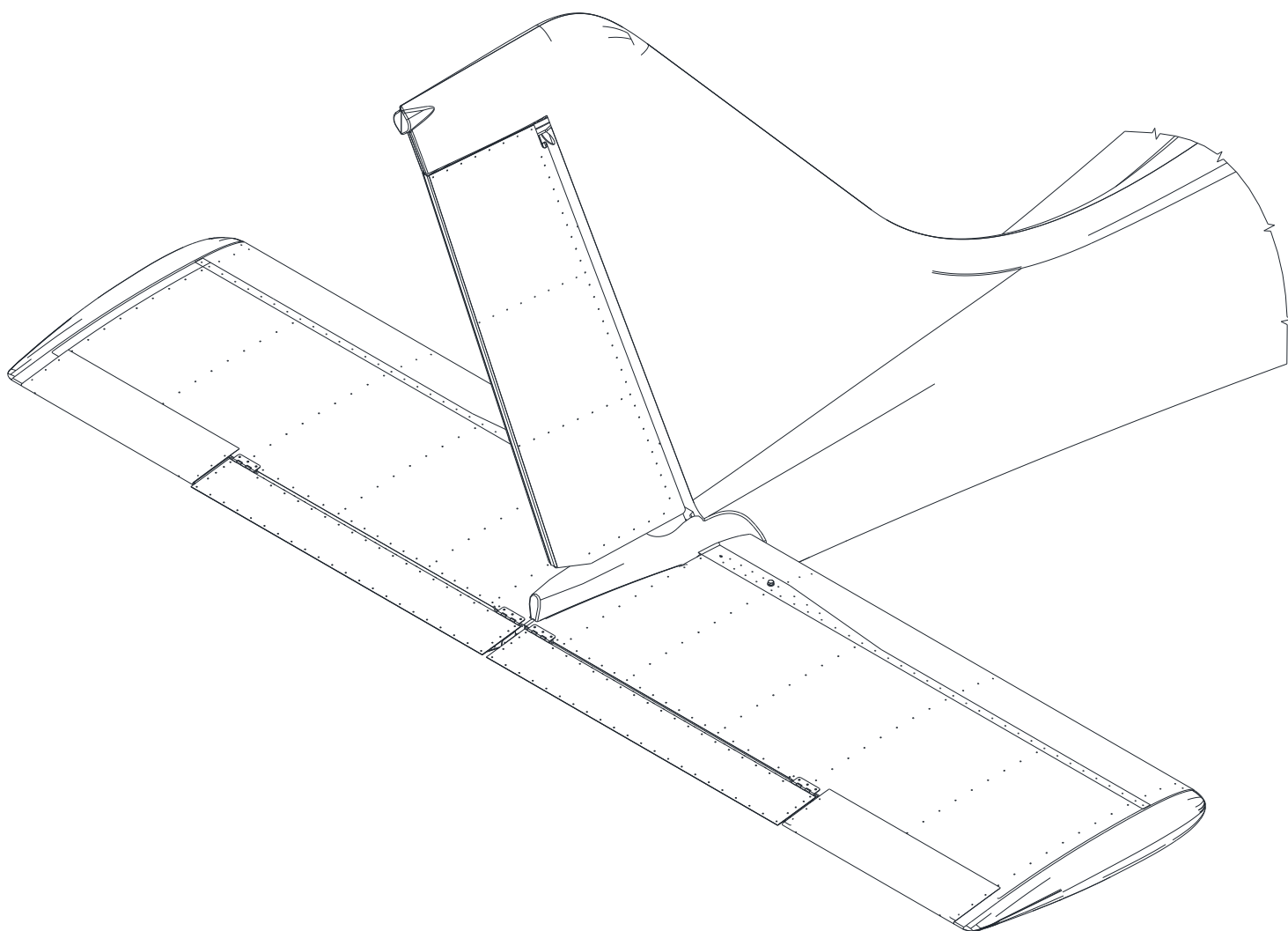


Figure 1 – General



ILLUSTRATED PARTS CATALOGUE



Ed. 1 Rev. 0

FIG.ITEM		P/N	DESCRIPTION	S/N	Q.ty LH RH
1		218-7-0000-000	STABILATOR ASSY		1
2		218-6-0000-000	RUDDER		1



ILLUSTRATED PARTS CATALOGUE



Ed. 1 Rev. 0

INTENTIONALLY LEFT BLANK



ILLUSTRATED PARTS CATALOGUE



Ed. 1 Rev. 0

STABILATOR

Ed. 1 Rev. 0

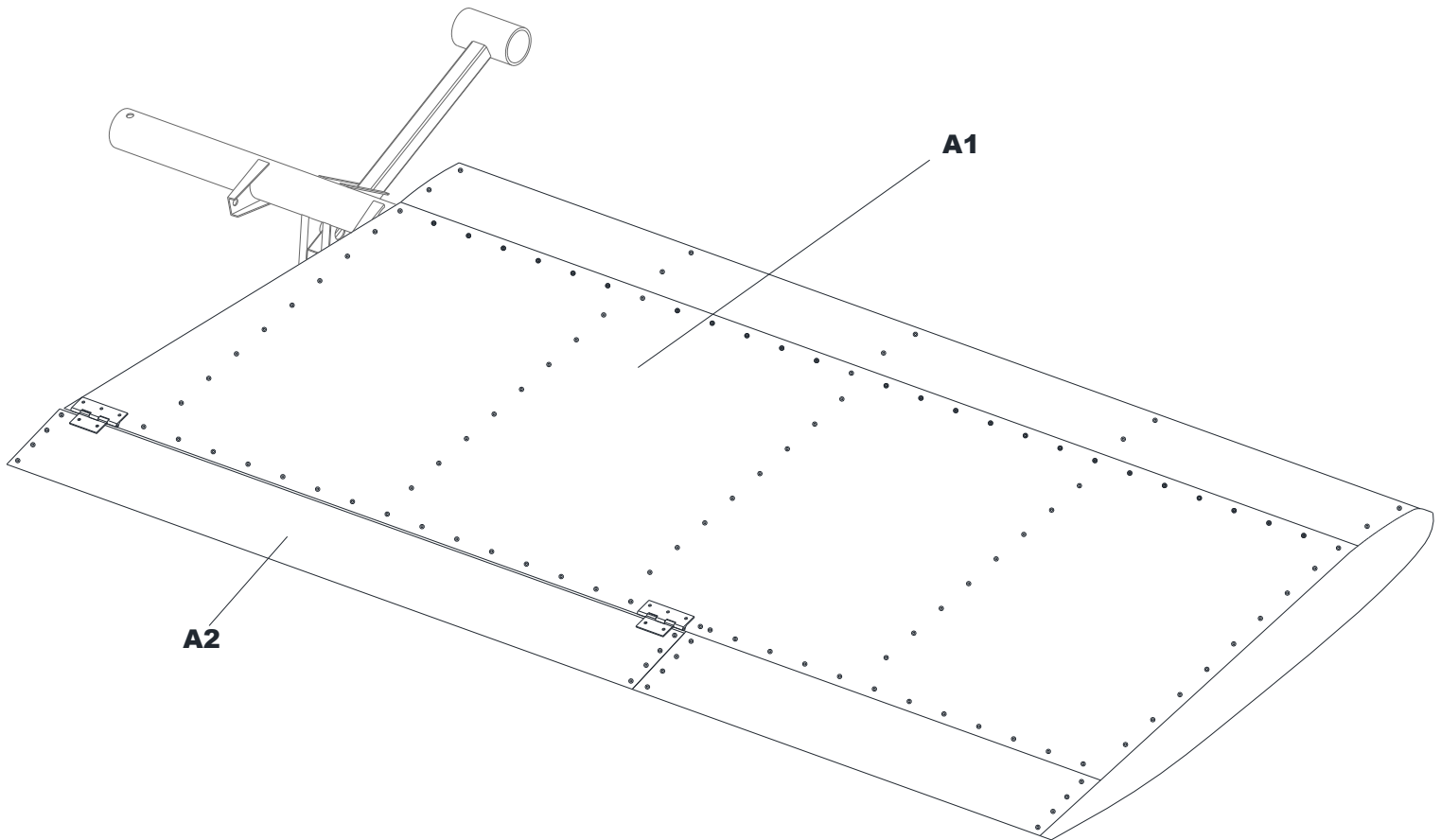


Figure 2 - Stabilator and Tab

Ed. 1 Rev. 0

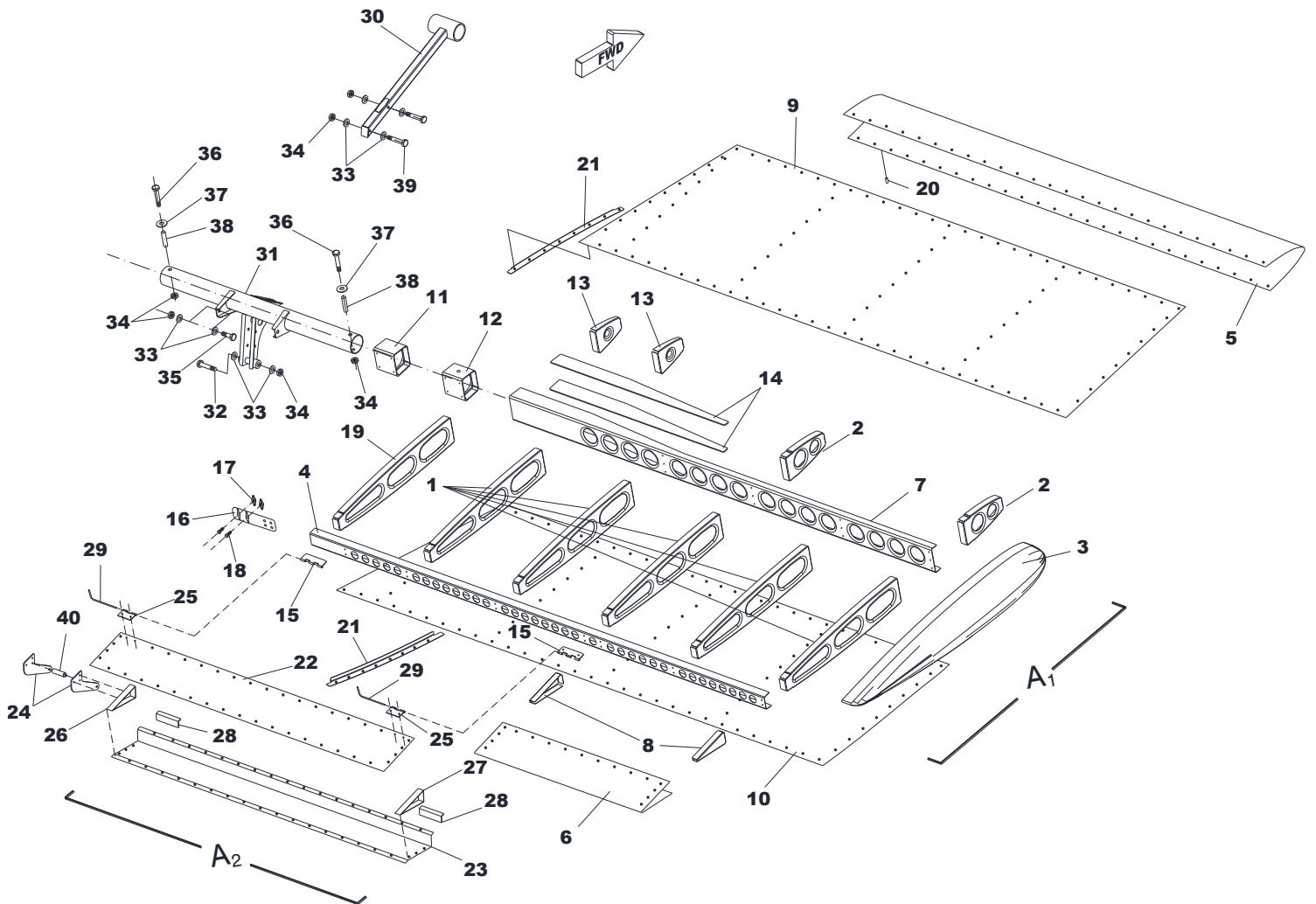


Figure 3 - Stabilator structure

FIG.ITEM	P/N	DESCRIPTION	S/N	Q.ty	
				LH	RH
A1		28-7-1000-001/2	STABILATOR ASSY LH/RH	1	1
	1	24-7-101-1	RIB	5	5
	2	24-7-108-1	EXTERNAL NOSE RIB	2	2
	3	24-7-110-1	TIP LH/RH	1	1
	4	24-7-104-1	REAR SPAR	1	1
	5	24-7-112-1	LEADING EDGE SKIN	1	1
	6	24-7-113-1	TRAILING EDGE SKIN	1	1
	7	24-7-106-1	FORNT SPAR	1	1
	8	24-7-120-1	TRAILING EDGE RIB	2	2
	9	28-7-1140-1/2	UPPER SKIN	1	1
	10	28-7-1140-3/4	LOWER SKIN	1	1
	11	28-7-1146-1/2	INTERNAL TORQUE TUBE FITTING	1	1
	12	24-7-300-1	EXTERNAL TORQUE TUBE FITTING	1	1
	13	24-7-109-1	INTERNAL NOSE RIB	2	2
	14	24-7-103-1	FRONT SPAR CAP	2	2
	15	92-7-109-1	TRIM CAB HINGE	2	2
	16	92-7-111-1	STABILATOR REAR LINK PLATE	1	
	17	MS21069-L08	ANCHOR NUT	2	2
	18	AN526C832R8	SCREW	2	2
	19	24-7-101-2	ROOT RIB LH/RH	1	1
	20	UNI5927-5-12	HEXAGON SOCKET SET SCREW	1	1
	21	28-7-1148-1	STRINGER	2	2
A2		218-7-1500-001/002	TRIM TAB ASSSY LH/RH	1	1
	22	218-7-1500-1	UPPER SKIN	1	1
	23	92-7-200-2	LOWER SKIN	1	1
	24	92-7-201-1	CONTROL LEVER	1	1
	25	92-7-202-1	HINGE	2	2
	26	92-7-203-1	INTERNAL RIB	1	1
	27	92-7-203-2	EXTERNAL RIB	1	1
	28	92-7-202-2	HINGE STIFFENER	2	2
29		92-7-202-3	HINGE PIN	2	2

Ed. 1 Rev. 0

30		92-7-400-000	MASS BALANCING ASSY		1
31		218-7-1010-000	TORQUE TUBE ASSY		1
32		UNI5737-6-45	BOLT HEX. HEAD		1
33		UNI6592-6	WASHER		4
34		MS21044N4	STOP NUT	1	1
35		UNI5737-6-40	BOLT HEX. HEAD	1	1
36		AN4-32A	BOLT HEX. HEAD	1	1
37		MS20002-4	WASHER	1	1
38		24-7-116-1	SHEAR PIN SPACER	1	1
39		UNI5737-6-40	BOLT HEX. HEAD		2
40		92-5-905-1	SPACER		1



ILLUSTRATED PARTS CATALOGUE

*Ag2Echo
MK2*

Ed. 1 Rev. 0

INTENTIONALLY LEFT BLANK



ILLUSTRATED PARTS CATALOGUE



Ed. 1 Rev. 0

RUDDER

Ed. 1 Rev. 0

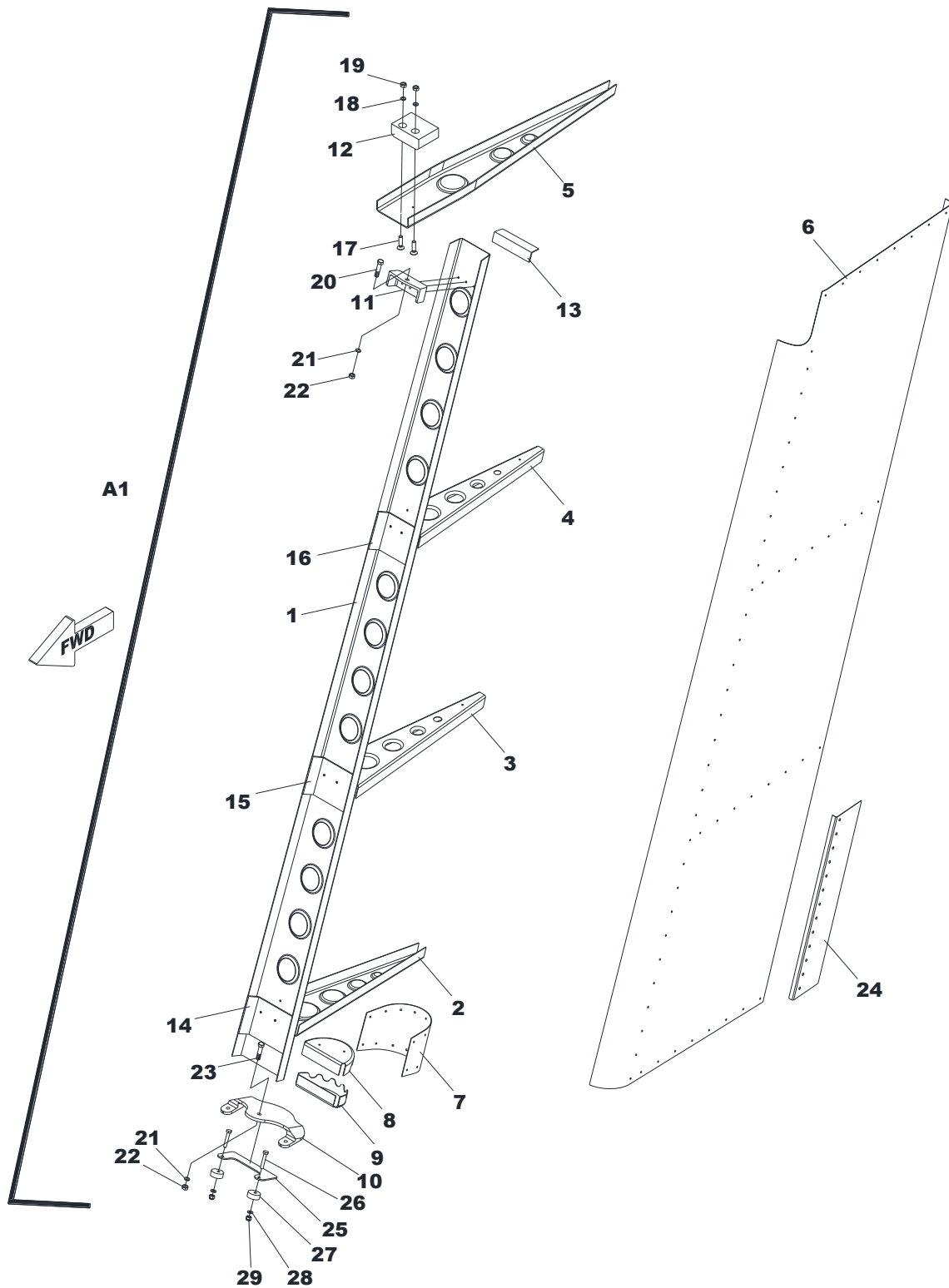


Figure 4 - Rudder Structure

FIG.ITEM		P/N	DESCRIPTION	S/N	Q.ty	
					LH	RH
A1		218-6-1000-0000	RUDDER ASSY		1	
	1	28-6-1010-1	SPAR		1	
	2	28-6-1020-1	RIB N°1		1	
	3	28-6-1024-1	RIB N°2		1	
	4	28-6-1026-1	RIB N°3		1	
	5	28-6-1040-1	RIB N°4		1	
	6	28-6-1050-1/2	RUDDER SKIN LH/RH		1	1
	7	28-6-1050-3	TORQUE BOX SKIN		1	
	8	28-6-1074-1	TORQUE BOX UPPER RIB		1	
	9	28-6-1076-1	TORQUE BOX LOWER RIB		1	
	10	218-6-1002-1	RUDDER CONTROL LEVEL		1	
	11	28-6-1240-1	RUDDER SUPPORT		1	
	12	28-6-1041-1	MASS BALANCE		1	
	13	28-6-1028-1	REINFORCEMENT ANGULAR		1	
	14	28-6-1064-1	PLATE N°1		1	
	15	28-6-1064-2	PLATE N°2		1	
	16	28-6-1064-3	PLATE N°3		1	
	17	UNI5933-5-20	BOLT INTERNAL HEX. HEAD		1	1
	18	UNI6592-5	WASHER		2	
	19	UNI7473-5	STOP NUT		2	
	20	UNI5737-6-30	BOLT HEX. HEAD		1	
	21	UNI6592-6	WASHER		2	
	22	UNI7473-6	STOP NUT		2	
	23	UNI5737-6-35	BOLT HEX. HEAD		1	
	24	92-1-409-2	TRIM TAB		1	
	25	218-6-1004-1	END STOP SUPPORT		1	
	26	UNI5737-4-20	BOLT		1	1
	27	28-6-1241-1	END STOP		1	1
	28	UNI6592-4	WASHER		2	2
	29	UNI7474-4	STOP NUT		1	1



ILLUSTRATED PARTS CATALOGUE



Ed. 1 Rev. 0

INTENTIONALLY LEFT BLANK



ILLUSTRATED PARTS CATALOGUE



Ed. 1 Rev. 0

ATA 56 WINDOWS



ILLUSTRATED PARTS CATALOGUE



Ed. 1 Rev. 0

56. WINDOWS

-10. FLIGHT COMPARTMENT 3



ILLUSTRATED PARTS CATALOGUE



Ed. 1 Rev. 0

FLIGHT COMPARTMENT

Ed. 1 Rev. 0

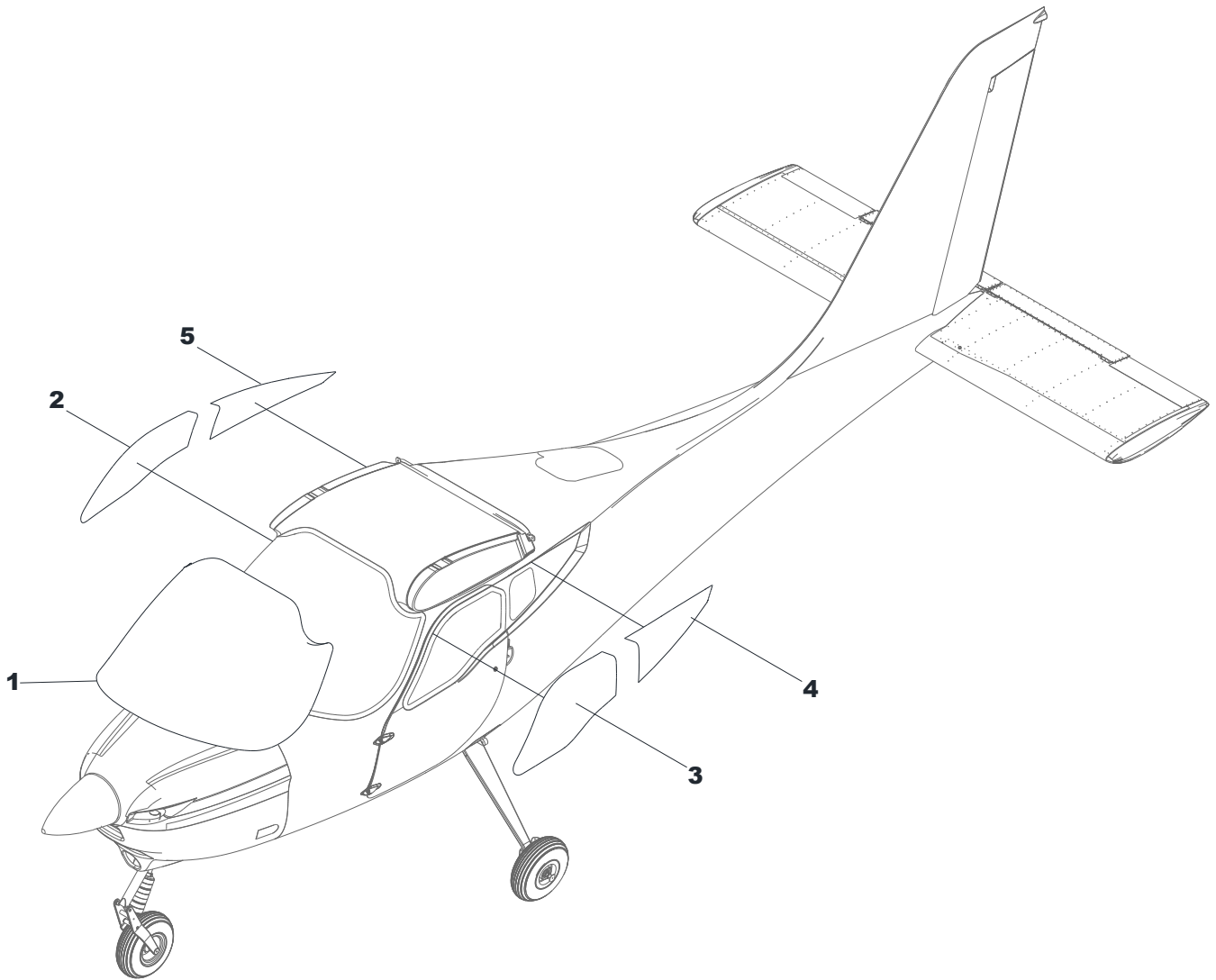


Figure 1 – Windows



ILLUSTRATED PARTS CATALOGUE

*Ag2 Echo
MK2*

Ed. 1 Rev. 0

FIG.ITEM		P/N	DESCRIPTION	S/N	Q.ty LH RH	
1		218-2-2000-1	WINDSHIELD		1	
2		218-2-2022-1	LH DOOR WINDOW		1	
3		218-2-2022-2	RH DOOR WINDOW			1
4		218-2-2002-1	LH REAR WINDOW		1	
5		218-2-2002-2	RH REAR WINDOW			1



ILLUSTRATED PARTS CATALOGUE

*Ag2Echo
MK2*

Ed. 1 Rev. 0

INTENTIONALLY LEFT BLANK



ILLUSTRATED PARTS CATALOGUE



Ed. 1 Rev. 0

ATA 57 WINGS

Revision Date:
Revision Number:



ILLUSTRATED PARTS CATALOGUE



Ed. 1 Rev. 0

57. Wings

-10. WINGS STRUCTURE..... 3

Revision Date:
Revision Number:



ILLUSTRATED PARTS CATALOGUE



Ed. 1 Rev. 0

WINGS STRUCTURE

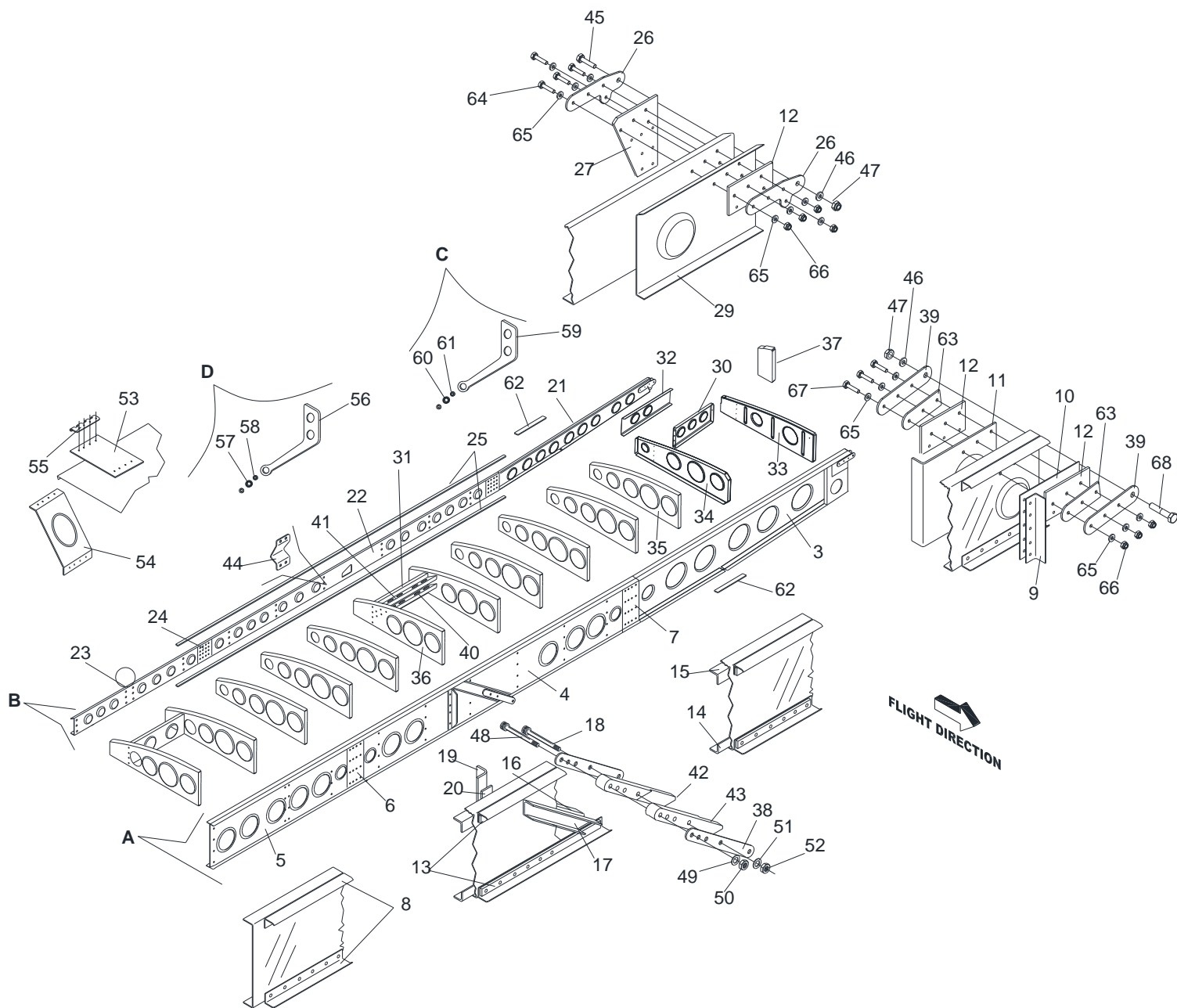


Figure 1 – Wing structure

Ed. 1 Rev. 0

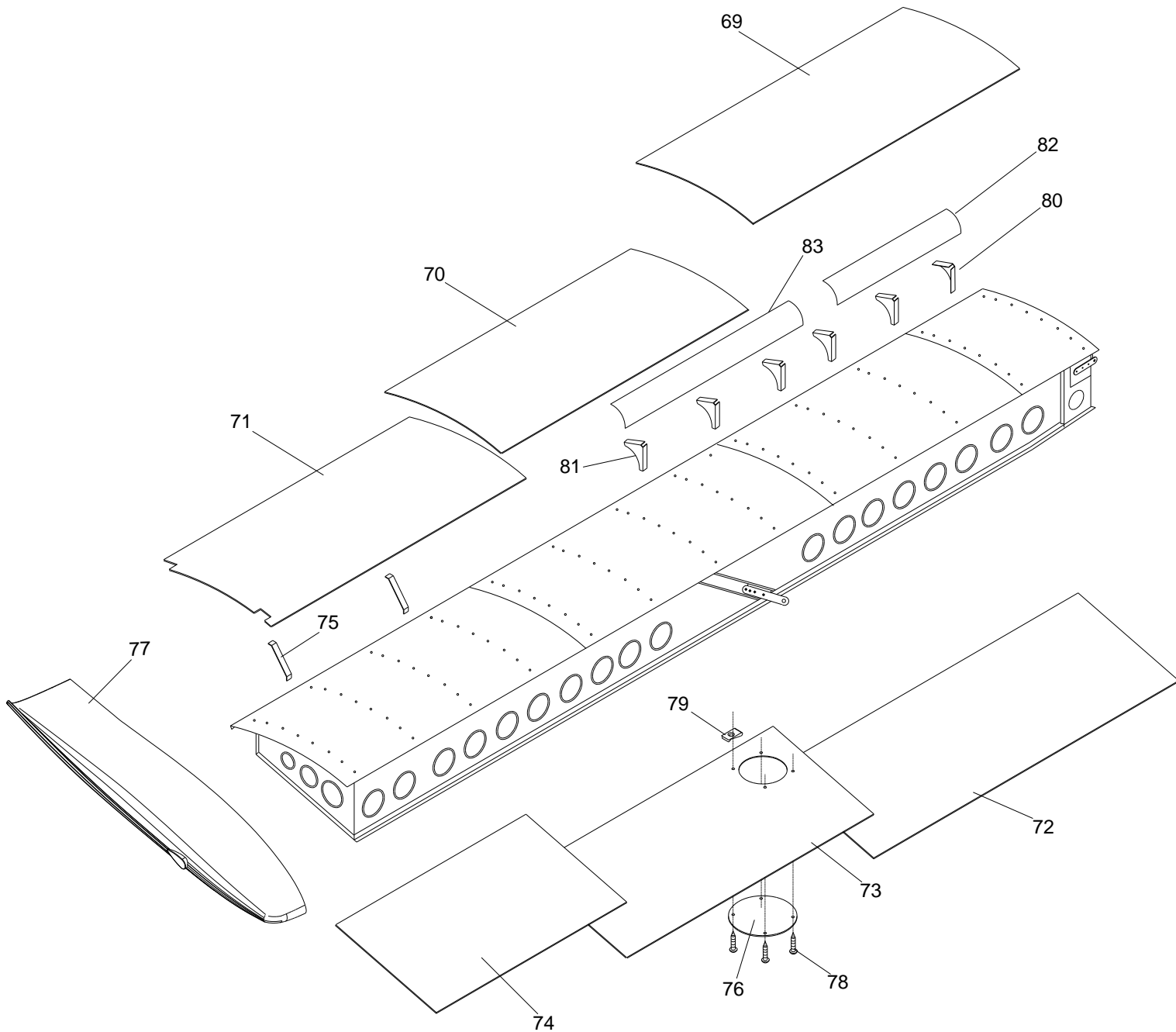


Figure 2 – Wing skin

FIG.ITEM		P/N	DESCRIPTION	S/N	Q.ty LH RH	
	1	218-1-1000-001	MAIN HALF WING ASSEMBLY LH		1	
	2	218-1-1000-001	MAIN HALF WING ASSEMBLY RH		1	
	A	27-1-110-001	FRONT (MAIN) SPAR ASSEMBLY LH		1	
		27-1-110-002	FRONT (MAIN) SPAR ASSEMBLY RH		1	
	B	27-1-210-001	REAR SPAR ASSEMBLY LH		1	
		27-1-210-002	REAR SPAR ASSEMBLY RH		1	
	3	27-1-701-1	SPAR WEB - ROOT SECTION LH		2	
		27-1-701-2	SPAR WEB - ROOT SECTION RH		2	
	4	92-1-701-4	SPAR WEB - CENTRE SECTION RH		2	
		92-1-701-3	SPAR WEB -CENTRE SECTION LH		2	
	5	20-1-120-2	SPAR WEB - TIP SECTION RH		2	
		20-1-120-1	SPAR WEB - TIP SECTION LH		2	
	6	92-1-702-1	MAIN SPAR JOINT PLATE - CENTRE SECTION		1	1
	7	92-1-702-2	MAIN SPAR JOINT PLATE - ROOT SECTION		1	1
	8	20-1-120-3	FLANGE ANGLE TO MAIN SPAR		4	4
	9	27-1-705-1	REINFORCING ANGLE – VERTICAL RH		1	
		27-1-705-2	REINFORCING ANGLE – VERTICAL LH		1	
	10	92-1-705-2	SPACER PLATE - "L" SHAPED		1	1
	11	92-1-705-3	SPACER PLATE WITH HOLE		1	1
	12	92-1-705-4	SPACER PLATE - RECTANGULAR		3	3
	13	92-1-708-1	FLANGE REINFORCING ANGLE		2	2
	14	92-1-708-2	REINFORCING ANGLE INTERNAL - UPPER		1	1
	15	92-1-708-4	REINFORCING ANGLE INTERNAL - LOWER		1	1
	16	92-1-711-1	REINFORCING CHANNEL INTERNAL/EXTERNAL		1	1
	17	92-1-711-2	REINFORCING CHANNEL EXTERNAL/ INTERNAL		1	1
	18	UNI 5931-4-62	BOLT		2	2
	19	92-1-714-1	VERTICAL REINFORCING ANGLE - CENTRAL		1	1
	20	92-1-714-2	REINFORCING SPACER PLATE - CENTRAL		1	1
	21	27-1-707-2	REAR SPAR WEB - ROOT SECTION RH		1	
		27-1-707-1	REAR SPAR WEB - ROOT SECTION LH		1	
	22	92-1-707-4	REAR SPAR WEB - CENTRAL SECTION RH		1	

FIG.ITEM		P/N	DESCRIPTION	S/N	Q.ty LH RH	
		92-1-707-3	REAR SPAR WEB - CENTRAL SECTION LH		1	
23		20-1-220-2	REAR SPAR WEB - TIP SECTION RH		1	
		20-1-220-1	REAR SPAR WEB - TIP SECTION LH		1	
24		92-1-703-1	REAR SPAR WEB JOINT PLATE		2	2
25		92-1-708-3	REINFORCING ANGLE - REAR SPAR		2	2
26		218-1-1002-1	REAR SPAR WING ATTACH LUG PLATE		2	2
27		27-1-709-1	SPACER PLATE FOR WING ATTACH LUG -REAR - (TRAPEZOID)		1	1
28		AVAILABLE	AVAILABLE		-	-
29		92-1-710-2	REINFORCING PLATE FOR REAR WING ATTACH LUG ASSY RH		1	
		92-1-710-1	REINFORCING PLATE FOR REAR WING ATTACH LUG ASSY LH		1	
30		27-1-104-1	BULKHEAD - ROOT SECTION RH		1	
		27-1-104-2	BULKHEAD - ROOT SECTION LH		1	
31		92-1-104-2	BULKHEAD AILERON BELLCRANK MOUNTING SECTION RH		1	
		92-1-104-3	BULKHEAD AILERON BELLCRANK MOUNTING SECTION LH		1	
32		27-1-104-4	BULKHEAD – AFT ROOT SECTION RH		1	
		27-1-104-3	BULKHEAD – AFT ROOT SECTION LH		1	
33		27-1-107-2	RIB - 1 HOLE RH		1	
		27-1-107-1	RIB - 1 HOLE LH		1	
34		27-1-108-2	RIB - 4 HOLES RH		4	
		27-1-108-1	RIB - 4 HOLES LH		4	
35		92-1-109-2	RIB - 5 HOLES RH		7	
		92-1-109-1	RIB - 5 HOLES LH		7	
36		92-1-110-2	RIB - 3 HOLES RH		1	
		92-1-110-1	RIB - 3 HOLES LH		1	
37		20-1-132-2	ROOT RIB REINFORCING PLATE RH		1	
		20-1-132-1	ROOT RIB REINFORCING PLATE LH		1	
38		92-1-706-1	FLYING STRUT ATTACHMENT PLATE (LUG)		2	2
39		92-1-706-2	MAIN WING ATTACHMENT LUG (FRONT)		2	2

FIG.ITEM		P/N	DESCRIPTION	S/N	Q.ty LH RH	
	40	92-1-115-2	AILERON BELLCRANK SUPPORT PLATE - LOWER RH		1	
		92-1-115-1	AILERON BELLCRANK SUPPORT PLATE - LOWER LH		1	
	41	92-1-116-2	AILERON BELLCRANK SUPPORT PLATE - UPPER RH		1	
		92-1-116-1	AILERON BELLCRANK SUPPORT PLATE - UPPER LH		1	
	42	92-1-712-2	FLYING STRUT ATTACH LUG SPACER - INTERNAL RH		1	
		92-1-712-4	FLYING STRUT ATTACH LUG SPACER - INTERNAL LH		1	
	43	92-1-712-1	FLYING STRUT ATTACH LUG SPACER - EXTERNAL RH		1	
		92-1-712-3	FLYING STRUT ATTACH LUG SPACER - EXTERNAL LH		1	
	44	92-1-118-1	END STOP - AILERON TRAVEL		1	1
	45	AN5-7A	BOLT		1	1
	46	AN960-516	WASHER		2	2
	47	MS21044-5	SELF LOCKING NUT		2	2
	48	UNI5931-D6L62	HEX SOCKET HEAD BOLT		3	3
	49	UNI6592-D6	WASHER		3	3
	50	UNI7473-D6	SELF LOCKING NUT		3	3
	51	UNI6592-4	WASHER		2	2
	52	UNI7473-4	SELF LOCKING NUT		2	2
	53	96-1-142-3	AILERON HINGE MOUNT PLATE		2	2
	54	96-1-142-6	BUTTRESS PLATE		2	2
	55	92-1-103-2	HINGE		2	2
	C	20-1-130-000	FLAP SUPPORT ASSY ROD SIDE		1	1
	56	20-1-130-1	FLAP HINGE MOUNT ARM (PLATE)		2	
	57	92-3-530-3	BEARING SKF GE 10E		2	
	58	92-3-531-1	BUSH		4	
	D	27-1-130-000	FLAP SUPPORT ASSY TIP SIDE		1	1
	59	27-1-130-1	FLAP HINGE MOUNT ARM (PLATE)		2	
	60	92-3-530-3	BEARING SKF GE 10E		2	
	61	92-3-531-1	BUSH		4	
	62	27-1-706-1	REINFORCING CAP		1	1
	63	218-1-1004-1	THICKNESS PLATE		2	2
	64	AN3-7A	BOLT		4	4

FIG.ITEM		P/N	DESCRIPTION	S/N	Q.ty LH RH	
	65	AN960-10	WASHER		14	14
	66	MS21044-3	STOP NUT		7	7
	67	AN3-11A	BOLT		3	3
	68	AN5-11A	BOLT		1	1
	69	20-1-140-2	SKIN PANEL – UPPER - ROOT SECTION RH		1	
		20-1-140-1	SKIN PANEL – UPPER - ROOT SECTION LH		1	
	70	20-1-140-4	SKIN PANEL – UPPER - CENTRE SECTION RH		1	
		20-1-140-3	SKIN PANEL - UPPER - CENTRE SECTION LH		1	
	71	27-1-140-2	SKIN PANEL - UPPER - TIP SECTION RH		1	
		27-1-140-1	SKIN PANEL - UPPER - TIP SECTION LH		1	
	72	20-1-142-3	SKIN PANEL – LOWER - ROOT SECTION RH/LH (TAILED)		2	
	73	20-1-142-2	SKIN PANEL – LOWER - CENTRE SECTION LH & RH		1	1
	74	20-1-142-1	SKIN PANEL – LOWER - TIP SECTION LH & RH		1	1
	75	92-1-117-2	PANEL EDGE SUPPORT BRACKET - AILERON AREA		4	4
	76	92-1-119-1	INSPECTION HATCH COVER		1	1
	77	27-1-310-002	WING TIP MOULDING RH		1	
		27-1-310-001	WING TIP MOULDING LH		1	
	78	UNI 6954-L13	SELF TAPPING SCREWS L=13 MM		4	4
	79	A-1784-6Z1	TINNERMANN		4	4
	80	20-1-228-1	RIB SLOT		1	1
	81	20-1-228-2	RIB SLOT		5	5
	82	20-1-230-1	SKIN FOR SLOT- INBOARD		1	1
	83	20-1-230-2	SKIN FOR SLOT- OUTBOARD		1	1

Ed. 1 Rev. 0

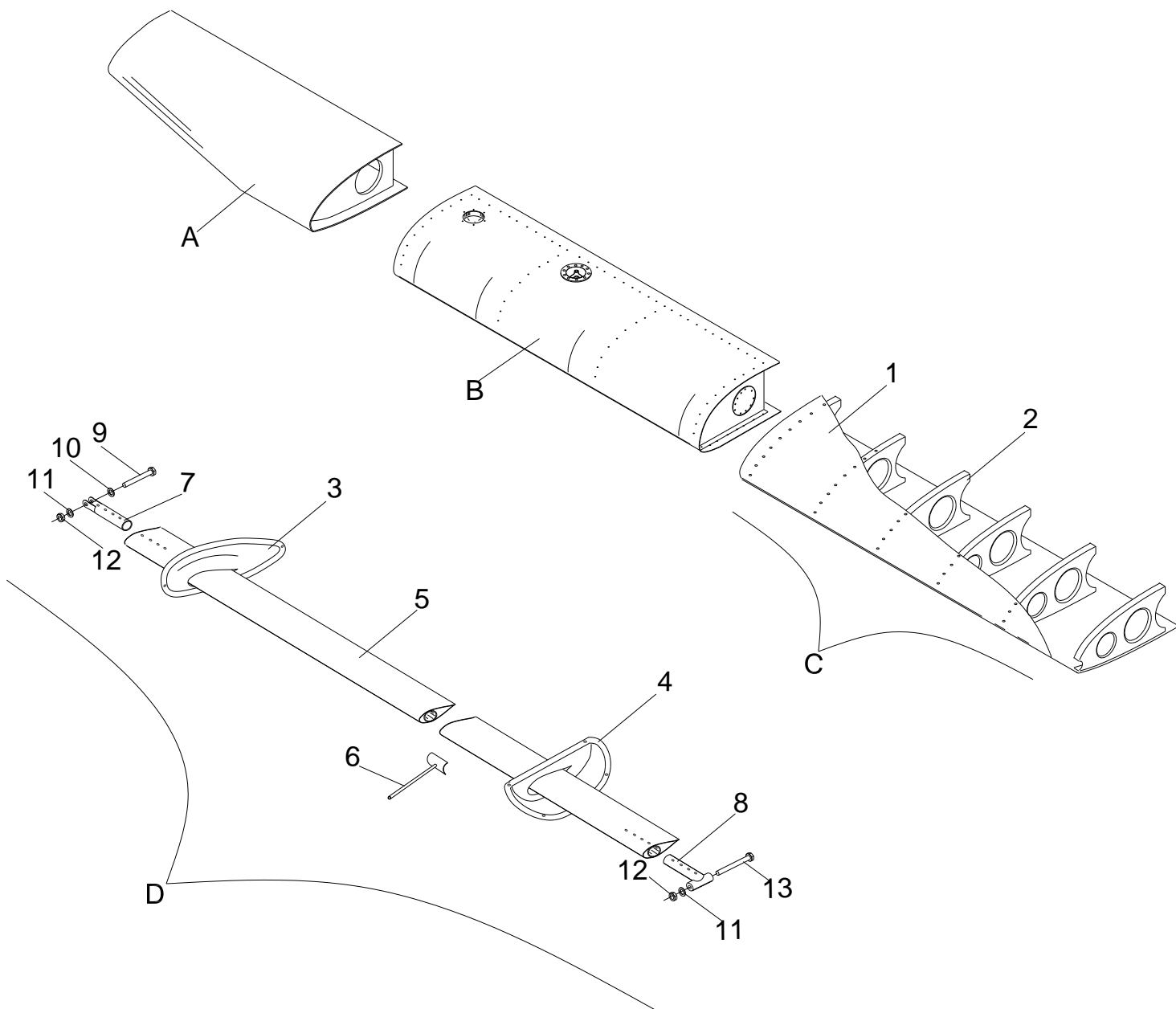


Figure 3 – Leading edge and wing strut parts

FIG.ITEM		P/N	DESCRIPTION	S/N	Q.ty LH RH	
	A	218-1-1200-001/2	LEADING EDGE FAIRING ROOT ASSY LH/RH		1	1
	B	21-1-340-001/2	FUEL TANK ASSY LH/RH		1	1
	C	20-1-240-001-2	LEADING EDGE ASSY LH/RH		1	1
	D	218-1-1500-001/2	WING STRUT ASSY LH/RH		1	1
	1	20-1-241-1/2	LEADING EDGE SKIN LH/RH		1	1
	2	92-1-300-1/2	RIB LH/RH		6	6
	3	92-1-200-3/4	LOWER WING STRUT FAIRING LH/RH		1	1
	4	28-12-1092-1/2	UPPER WING STRUT FAIRING LH/RH		1	1
	5	218-1-1500-1/2	WING STRUT LH/RH		1	1
	6	92-9-920-000	DINAMIC PORT ASSY		1	
	7	28-1-1505-000	LOWER STRUT ATTACHMENT		1	1
	8	218-1-1510-000	UPEPR STRUT ATTACHMENT		1	1
	9	AN5-14A	BOLT		1	1
	10	AN960-516L	WASHER		1	1
	11	AN960-516	WASHER		2	2
	12	MS21044-5	STOP NUT		2	2
	13	AN5-23A	BOLT		1	1

Ed. 1 Rev. 0

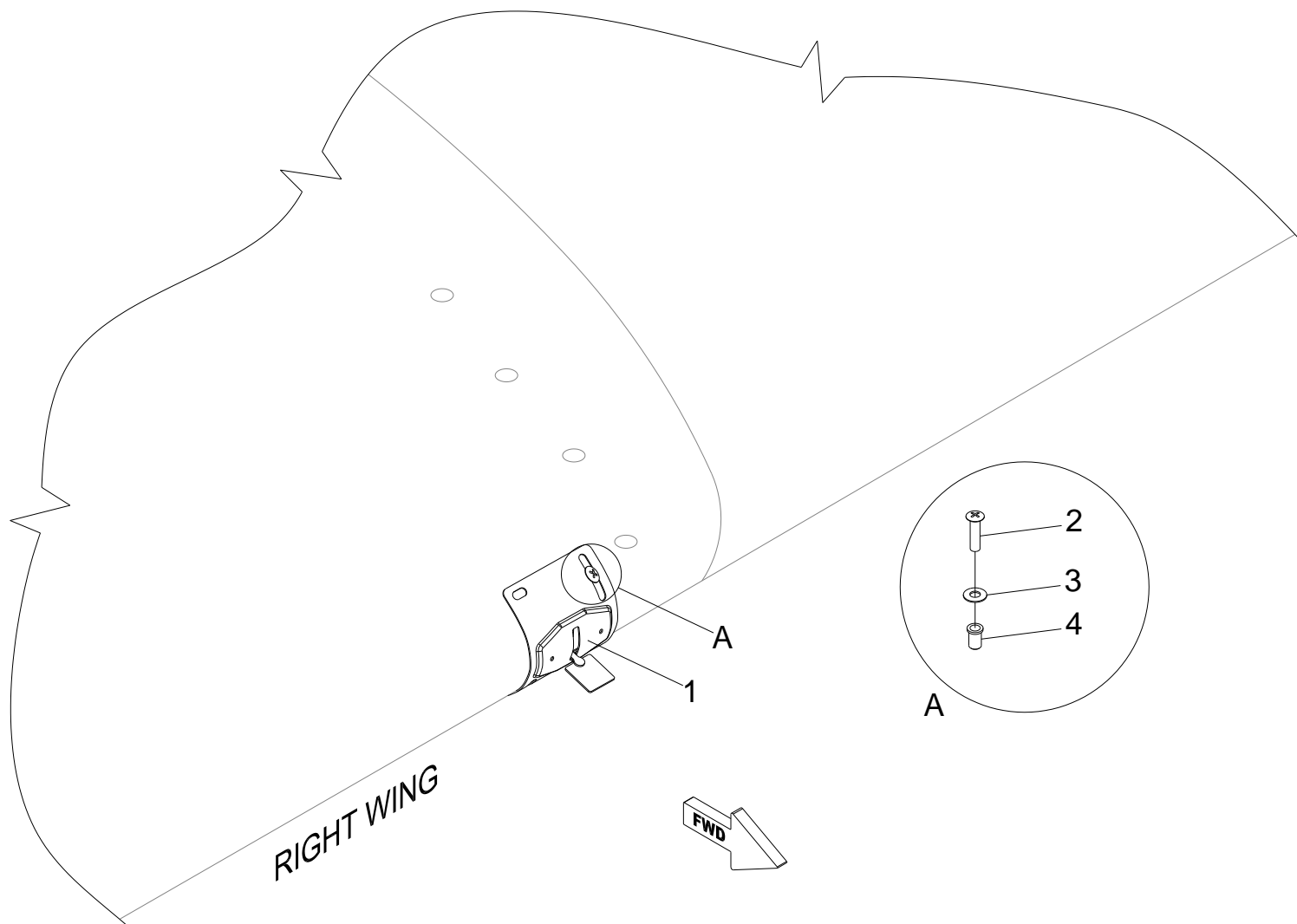


Figure 4 - Stall warning

**ILLUSTRATED PARTS
CATALOGUE***Ag2Echo
MK2*

Ed. 1 Rev. 0

FIG.ITEM		P/N	DESCRIPTION	S/N	Q.ty LH RH
	1	21-9-420-000	STALL WARNING		1
	2	00240-12	SCREW (M4)		2
	3	BACW10BP3NDP	WASHER		2
	4	UNI9201-4	RIVNUT		2

Ed. 1 Rev. 0

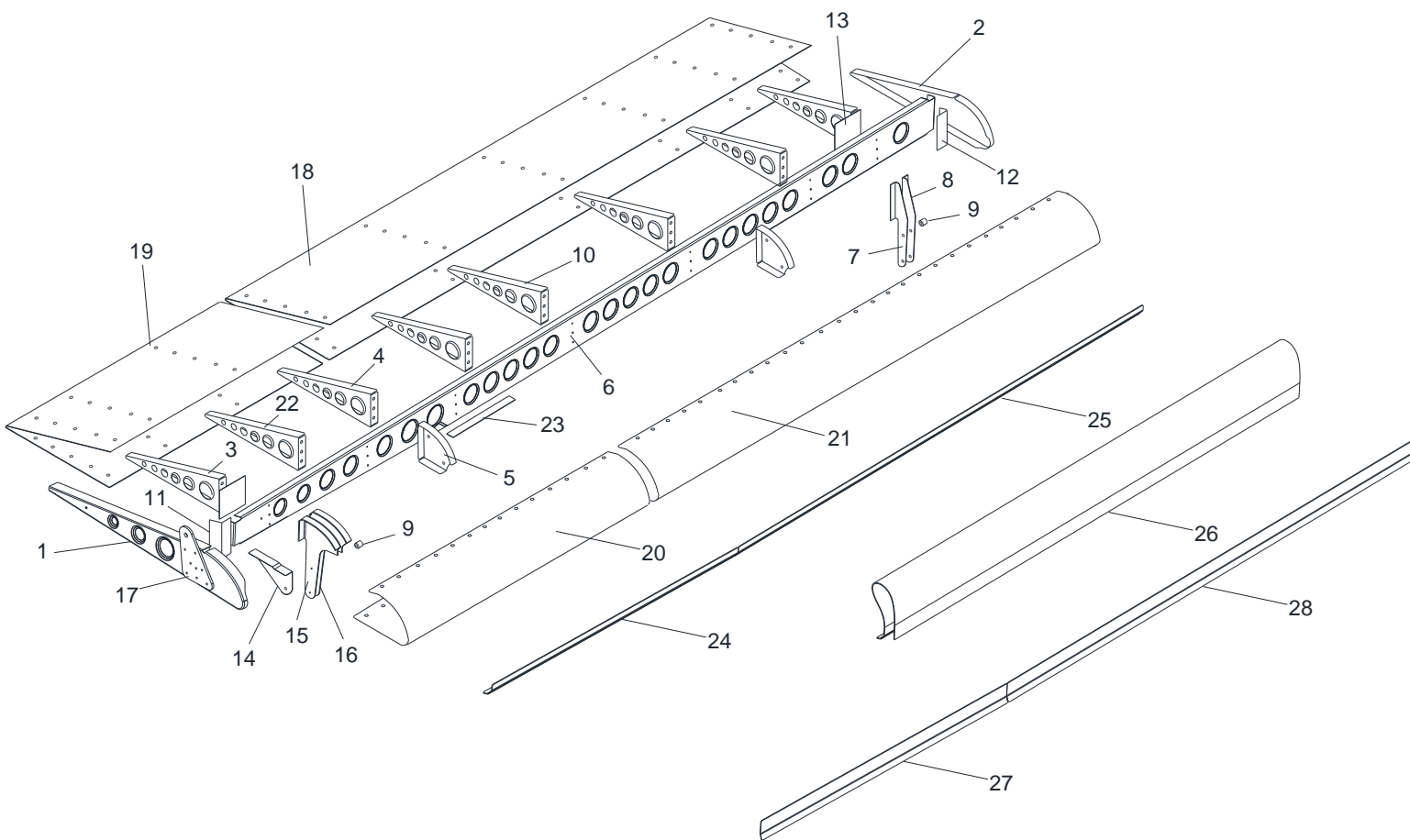


Figure 5 - Flaps structure

FIG.ITEM		P/N	DESCRIPTION	S/N	Q.ty LH RH	
	A	218-1-3000-001/2	FLAP ASSY LH/RH		1	1
	1	27-1-201-001/2	END RIB LH/RH		1	1
	2	21-1-201-1/2	END RIB LH/RH (TIP)		1	1
	3	27-1-401-1/2	RIB LH/RH		1	1
	4	27-1-402-1/2	RIB LH/RH		1	1
	5	20-1-202-1	RIB NOSE		2	2
	6	27-1-205-1/2	SPAR LH/RH		1	1
	7	20-1-204-2	HINGE ATTACH ARM RH (TIP)		1	1
	8	20-1-204-1	HINGE ATTACH ARM LH (TIP)		1	1
	9	20-1-204-3	SPACER BUSH		2	2
	10	92-1-402-1	CENTRAL RIB		5	5
	11	92-1-410-5/6	REINFORCING ANGLE - INBOARD END LH/RH		1	1
	12	92-1-410-3/4	REINFORCING ANGLE - OUTBOARD END LH/RH		1	1
	13	20-1-209-1	REINFORCING PLATE		2	2
	14	20-1-208-1/2	REINFORCING PLATE - HINGE ATTACH. LH /RH		1	1
	15	27-1-204-2	HINGE ATTACH ARM RH (ROOT)		1	1
	16	27-1-204-1	HINGE ATTACH ARM LH (ROOT)		1	1
	17	218-1-3002-1	CONTROL HORN PLATE		1	1
	18	27-1-207-1/2	TRAILING EDGE SKIN LH/RH FLAP (TIP)		1	1
	19	27-1-207-3/4	TRAILING EDGE SKIN LH/RH FLAP (ROOT)		1	1
	20	27-1-203-1/2	TRAILING EDGE SKIN LH/RH (ROOT)		1	1
	21	27-1-203-3/4	TRAILING EDGE SKIN LH/RH (TIP)		1	1
	22	27-1-404-1/2	RIB LH/RH		1	1
	23	27-1-406-1	REINFORCING CAP		1	1
	24	218-1-3010-1	GAP SEAL PLATE FLAP SIDE		1	1
	25	218-1-3008-1	GAP SEAL PLATE FLAP SIDE		1	1
	26	28-11-1106-1	GAP SEAL		1	1
	27	218-1-3006-1	GAP SEAL PLATE WING SIDE		1	1
	28	218-1-3004-1	GAP SEAL PLATE WING SIDE		1	1

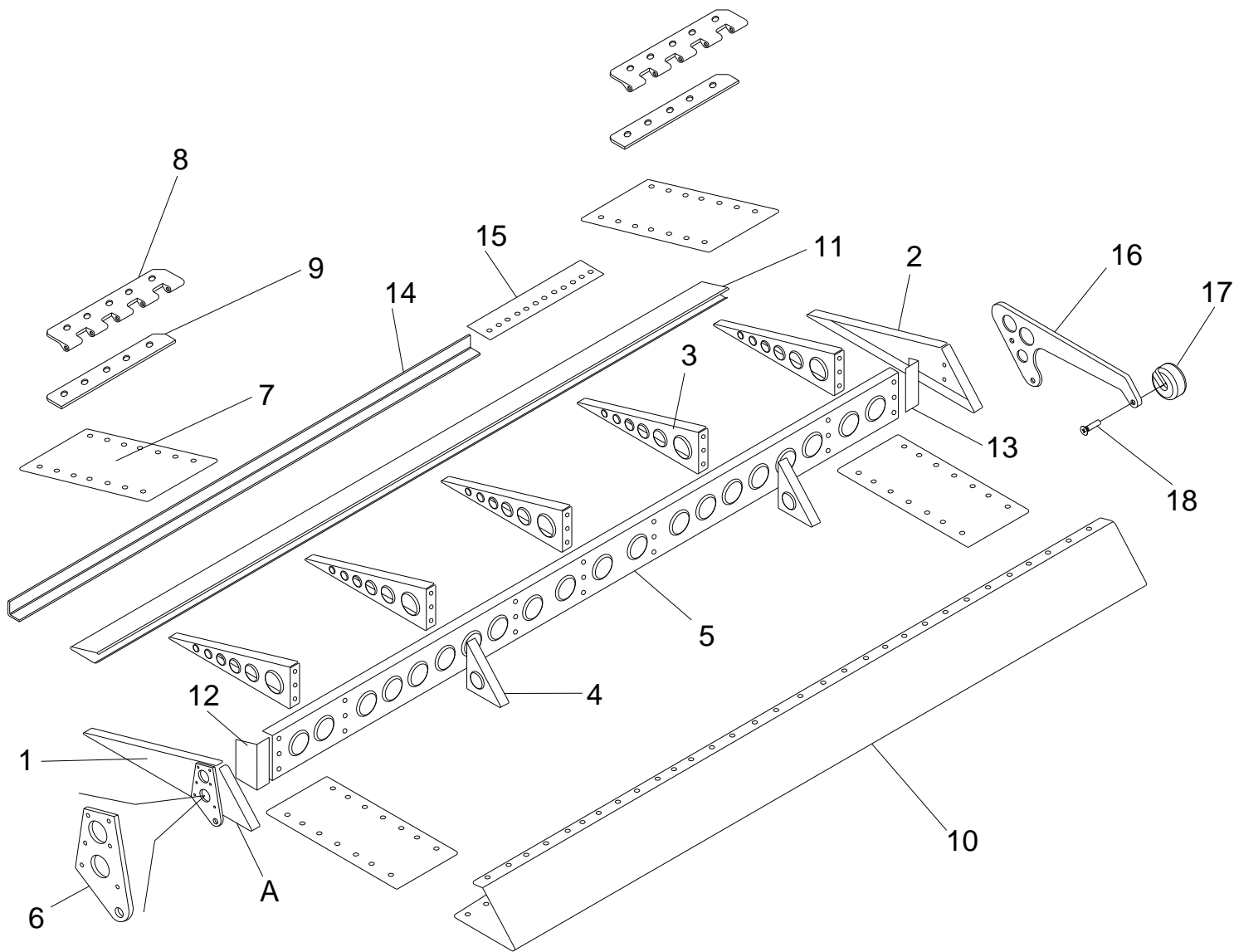


Figure 6 - Aileron structure

FIG.ITEM		P/N	DESCRIPTION	S/N	Q.ty LH RH	
	A	27-1-220-001/2	AILERON ASSY LH/RH		1	1
	B	20-1-225-001/2	RIB-CONTROL HOR ATTACHED LH/RH		1	1
	1	92-1-414-1	END RIB INBOARD/OUTBOARD		1	1
	2	92-1-414-2	END RIB OUTBOARD/INBOARD		1	1
	3	92-1-402-1	RIB		5	5
	4	92-1-403-1	RIB NOSE		2	2
	5	27-1-221-1/2	SPAR		1	1
	6	92-1-405-1	CONTROL HORN PLATE - AILERON		1	1
	7	92-1-406-1	SMALL SKIN PANEL (END)		4	4
	8	92-1-407-1	HINGE TYPE MS20001-4		2	2
	9	92-1-407-2	HINGE LEAF SPACER PLATE		2	2
	10	27-1-222-1/2	LEADING EDGE SKIN PANEL		1	1
	11	27-1-223-1/2	TRAILING EDGE SKIN PANEL		1	1
	12	92-1-410-1/2	REINFORCING ANGLE - INBOARD LH/RH		1	1
	13	92-1-410-3/4	REINFORCING ANGLE - OUTBOARD LH/RH		1	1
	14	20-1-224-1/2	COMPENSATOR ANGLE LH/RH		1	1
	15	92-1-409-2	TRIM TAB (LH ONLY)		1	
	16	96-1-310-2	BALANCE MASS ARM LH		1	
		96-1-310-1	BALANCE MASS ARM RH			1
	17	96-1-310-3	BALANCE MASS		1	1
	18	UNI 7687-5-10	SCREW		1	1



ILLUSTRATED PARTS CATALOGUE

Ag2Echo
MK2

Ed. 1 Rev. 0

INTENTIONALLY LEFT BLANK



ILLUSTRATED PARTS CATALOGUE



Ed. 1 Rev. 0

ATA 61 PROPELLERS/PROPULSORS



ILLUSTRATED PARTS CATALOGUE



Ed. 1 Rev. 0

61. PROPELLERS/PROPULSORS

-10. PROPELLER ASSEMBLY..... 3



ILLUSTRATED PARTS CATALOGUE

Ag2Echo
MK2

Ed. 1 Rev. 0

PROPELLER ASSEMBLY

Ed. 1 Rev. 0

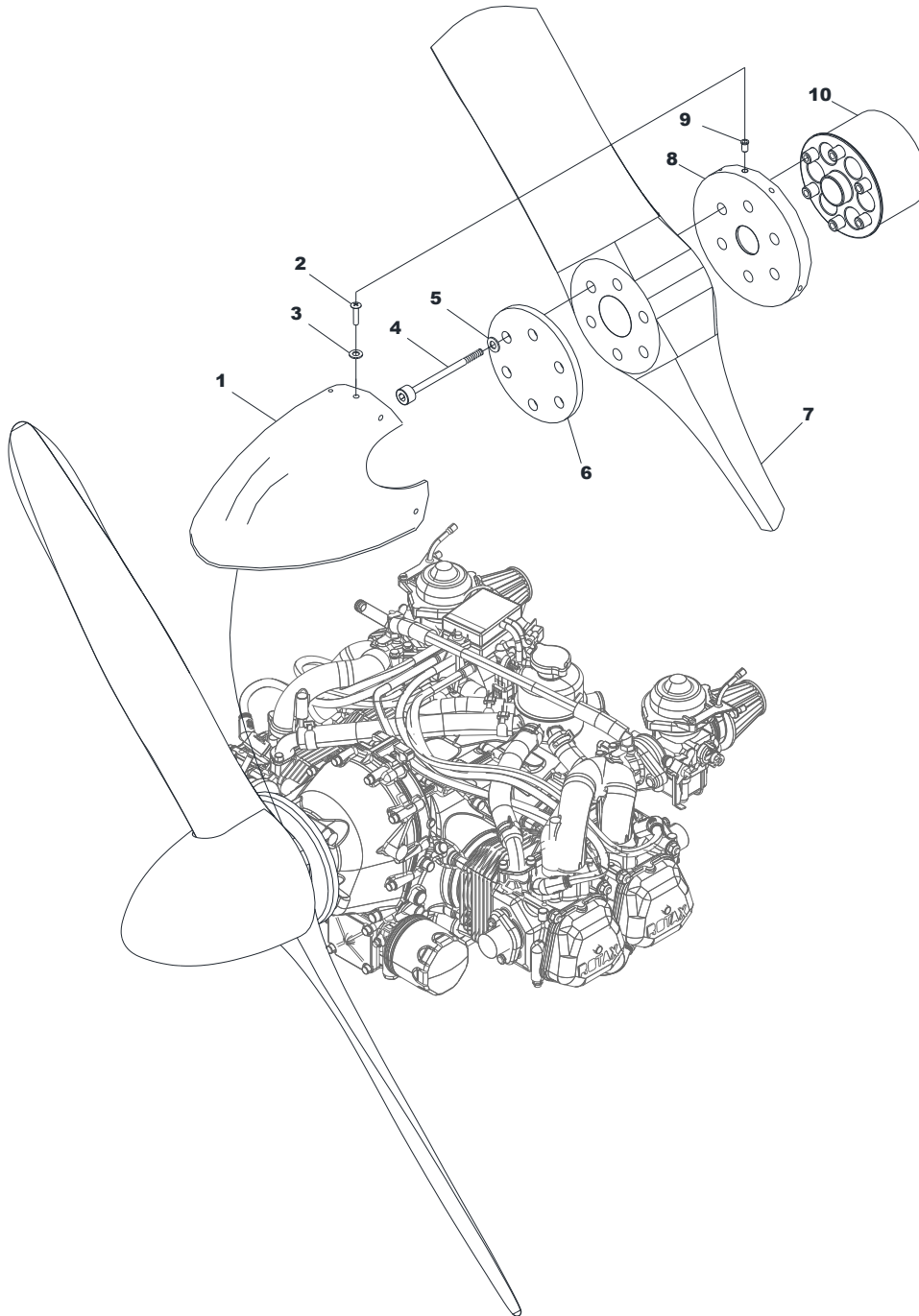


Figure 1 – Propeller installation

Ed. 1 Rev. 0

FIG.ITEM		P/N	DESCRIPTION	S/N	Q.ty LH RH
	1	28-10-1010-1	SPINNER		1
	2	UNI7048-4-12	SCREW		10
	3	BACW10BP3NDP	WASHER		10
	4	92-11-771-1	BOLT INTERNAL HEX. HEAD		6
	5	UNI6592-8	WASHER		6
	6	92-11-928-1	FIX PROPELLER DISC		1
	7	W68P2ET-70J	SENENICH PROPELLER		1
	8	28-10-1028-1	SPINNER BACK PLATE		1
	9	UNI9201-4	RIVNUT		10
	10	96-11-910-000	PROPELLER SPACER ASSY		1



ILLUSTRATED PARTS CATALOGUE



Ed. 1 Rev. 0

INTENTIONALLY LEFT BLANK



ILLUSTRATED PARTS CATALOGUE



Ed. 1 Rev. 0

ATA 71 POWER PLANT



ILLUSTRATED PARTS CATALOGUE



Ed. 1 Rev. 0

71. POWER PLANT

-00. GENERAL.....	3
-10. COWLING.....	7
-20. MOUNTS.....	11
-70. ENGINE DRAINS.....	15



ILLUSTRATED PARTS CATALOGUE



Ed. 1 Rev. 0

GENERAL

Ed. 1 Rev. 0

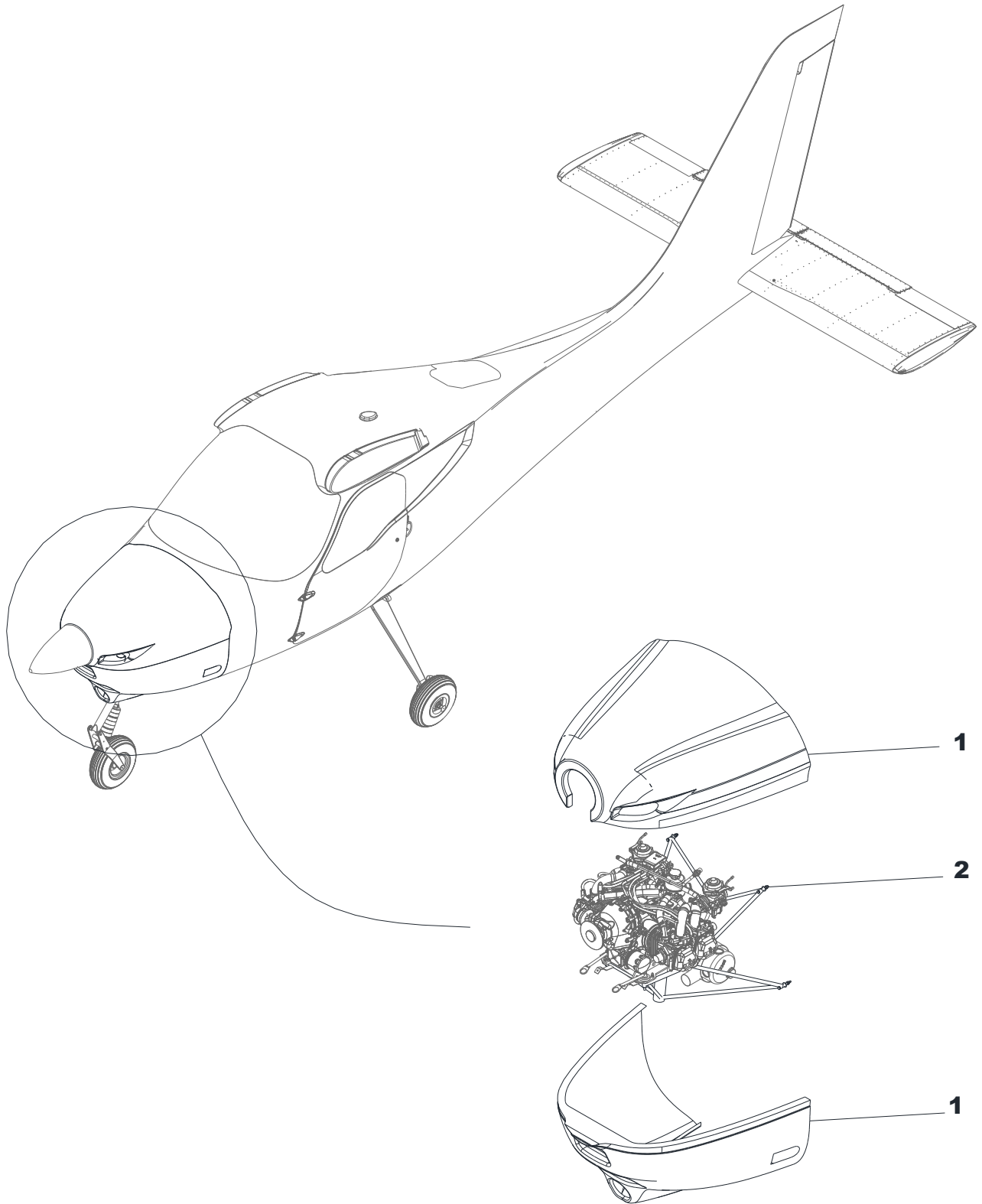


Figure 1 - General view

**ILLUSTRATED PARTS
CATALOGUE***Ag2 Echo
MK2*

Ed. 1 Rev. 0

FIG.ITEM		P/N	DESCRIPTION	S/N	Q.ty LH RH
1		218-10-1000-000	ENGINE COWLING ASSY		1
2		218-10-100-000	ENGINE MOUNT ASSY		1



ILLUSTRATED PARTS CATALOGUE



Ed. 1 Rev. 0

INTENTIONALLY LEFT BLANK



ILLUSTRATED PARTS CATALOGUE



Ed. 1 Rev. 0

COWLING

Ed. 1 Rev. 0

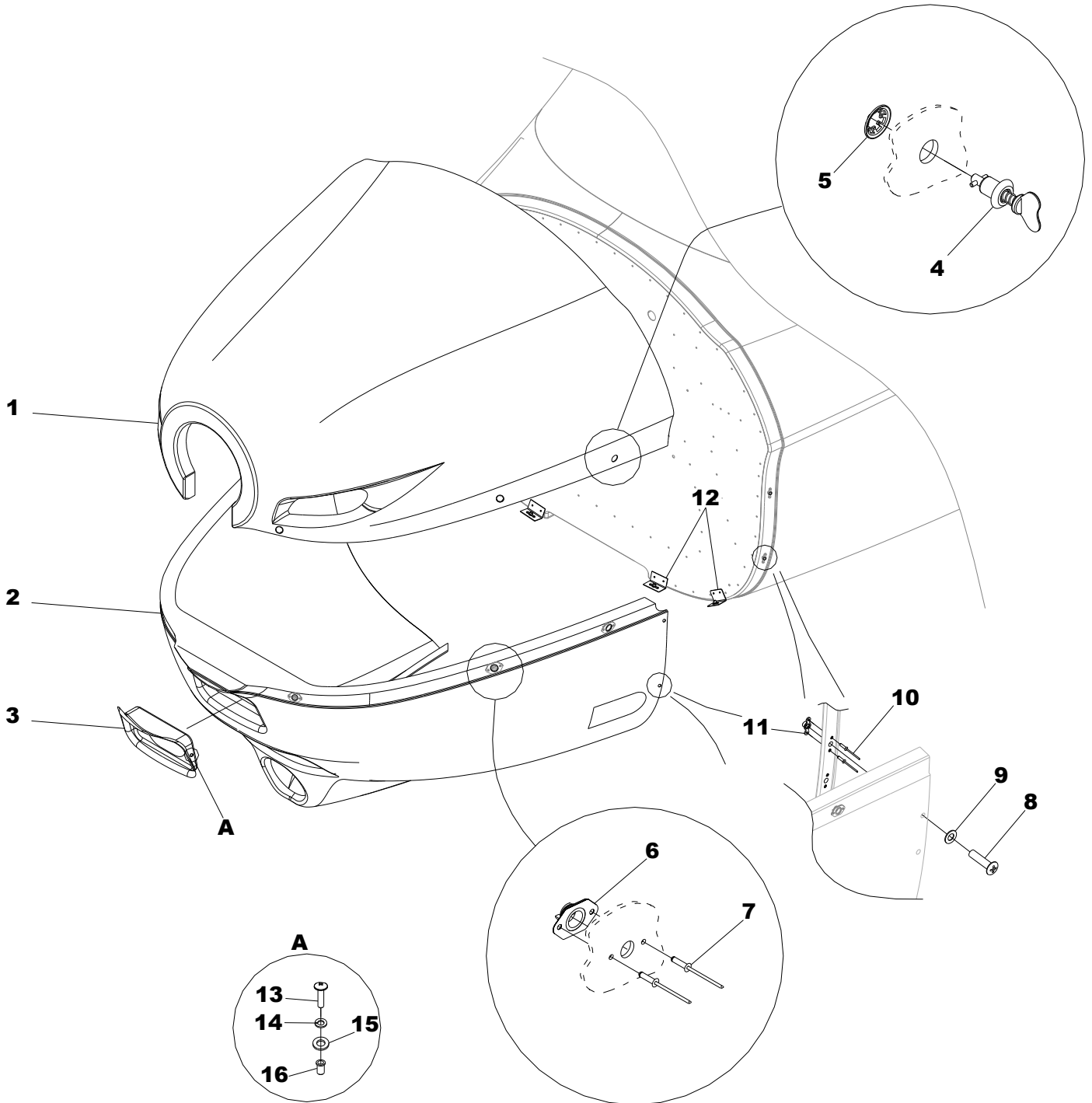


Figure 2 - Cowling installation

Ed. 1 Rev. 0

FIG.ITEM		P/N	DESCRIPTION	S/N	Q.ty LH RH
1		218-10-1002-1	UPPER COWLING		1
2		218-10-1004-1	LOWER COWLING		1
3		218-9-4020-000	RADIATOR INTAKE COVER		1
4		2600-5W	CAMLOCK STUD		6
5		2600LW	CAMLOCK WASHER		6
6		212-12N	CAMLOCK RECEPTACLE		6
7		OBD02-02407	BLIND RIVET		12
8		AN526C832R8	SCREW		8
9		BACW10BP3NDP	WASHER		8
10		PBD02-02406	BLIND RIVET		16
11		MS21069L08	ANCHOR NUT		8
12		20-2-701-1	ANGULAR SUPPOR		4
13		00240-12	SCREW		2
14		UNI1751-4	GROWER		2
15		UNI6592-4	WASHER		2
16		UNI9201-4	RIVNUT		2



ILLUSTRATED PARTS CATALOGUE

*Ag2Echo
MK2*

Ed. 1 Rev. 0

INTENTIONALLY LEFT BLANK



ILLUSTRATED PARTS CATALOGUE



Ed. 1 Rev. 0

MOUNTS

Ed. 1 Rev. 0

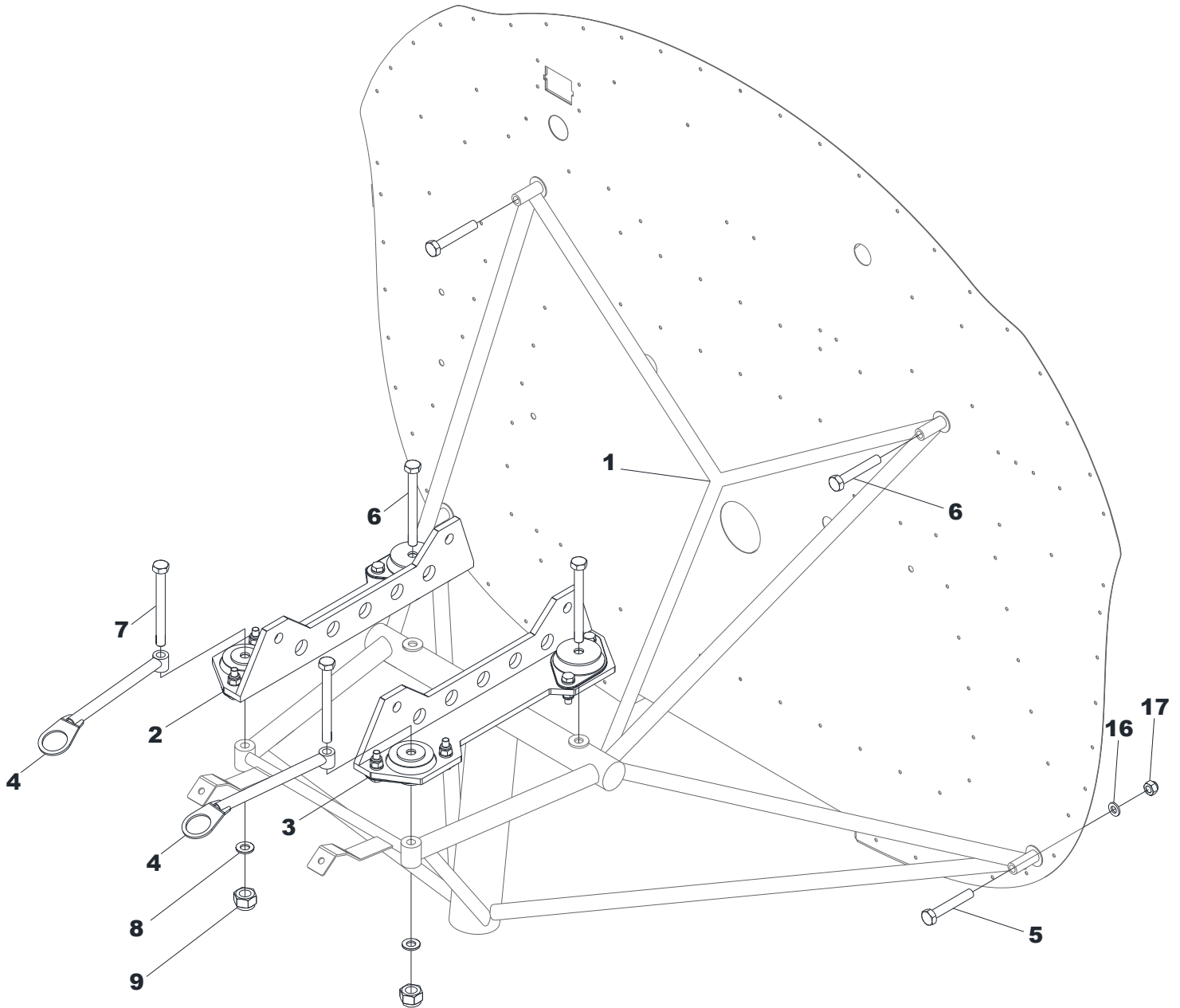


Figure 3 - Engine mount

Ed. 1 Rev. 0

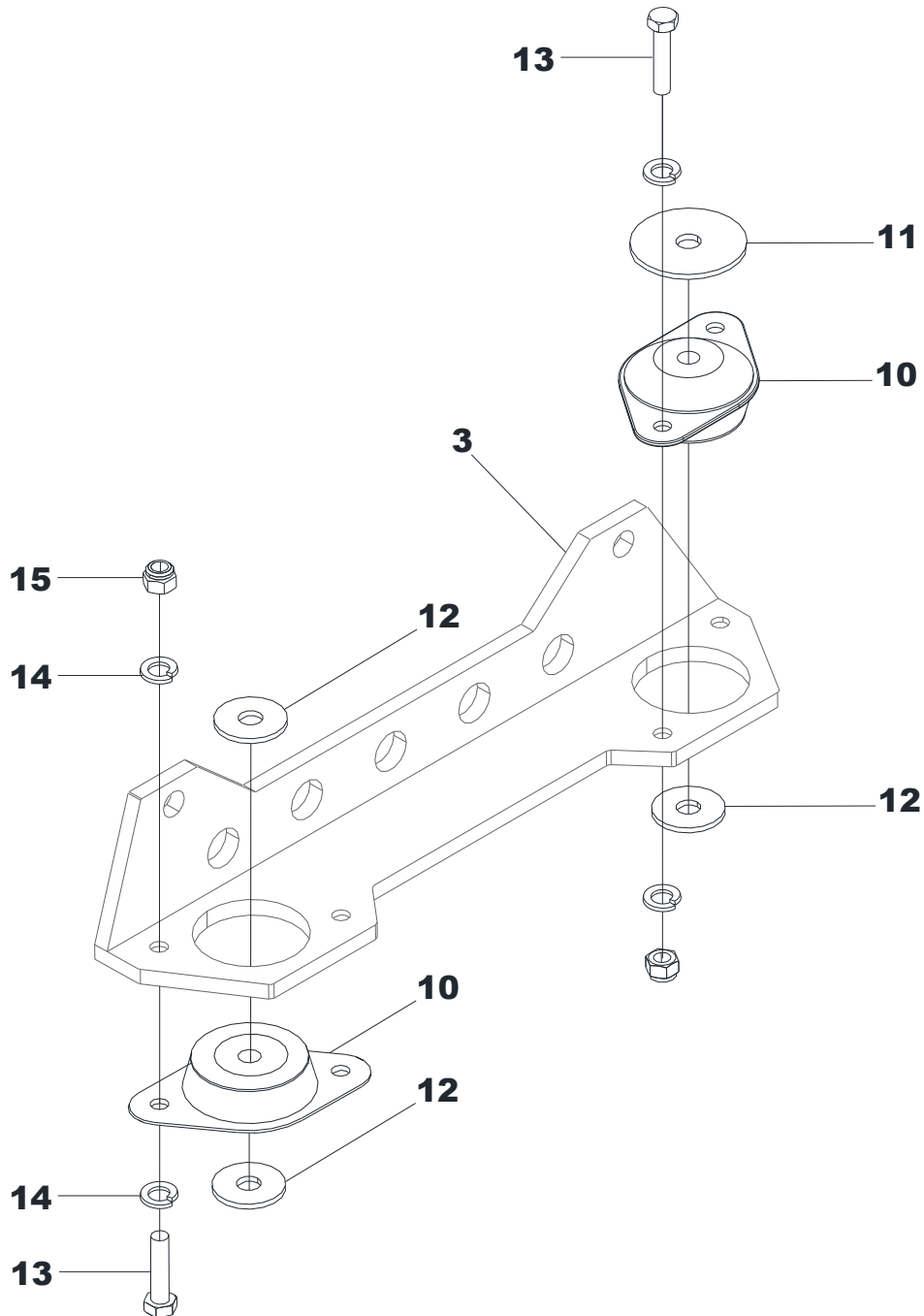


Figure 4 - Engine support

Ed. 1 Rev. 0

FIG.ITEM		P/N	DESCRIPTION	S/N	Q.ty LH RH
1		218-10-100-000	ENGINE MOUNT ASSY		1
2		92-11-912-2	ENGINE SUPPORT ASSY LH		1
3		92-11-912-1	ENGINE SUPPORT ASSY RH		1
4		20-11-908-000	OIL RADIATOR SUPPORT		2
5		AN4-21A	BOLT		2
6		AN4-20A	BOLT		2
7		UNI5737-8-80	BOLT		4
8		UNI6592-8	WASHER		4
9		UNI7473-4	STOP NUT		4
10		AN70SH	SILENT BLOCK		4
11		92-11-912-4	WASHER		2
12		92-11-912-3	WASHER		6
13		UNI5737-6-25	BOLT		8
14		UNI1751-6	GROWER		16
15		UNI7473-6	STOP NUT		8
16		AN960-416	WASHER		4
17		MS21044N4	STOP NUT		4



ILLUSTRATED PARTS CATALOGUE



Ed. 1 Rev. 0

ENGINE DRAINS

Ed. 1 Rev. 0

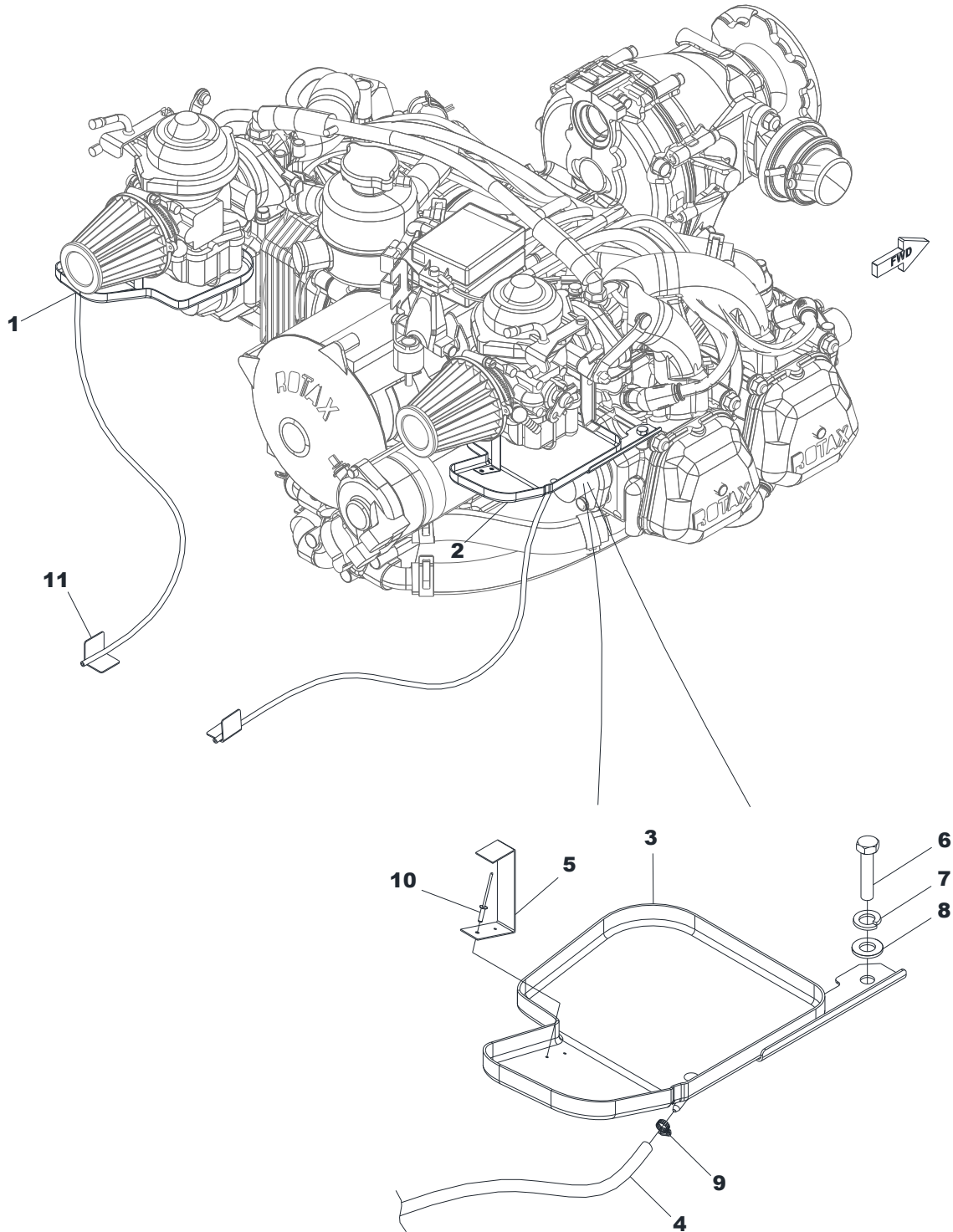


Figure 5 - Engine drains

Ed. 1 Rev. 0

FIG.ITEM		P/N	DESCRIPTION	S/N	Q.ty LH RH
	1	218-10-1021-000	DRAINAGE ASSY LH		1
	2	218-10-1022-000	DRAINAGE ASSY RH		1
	3	28-9-1721-002	DRAINAGE PLATE ASSY		1
	4	218-10-1022-1	DRAINAGE HOSE RH		1
	5	92-9-982-1	DRAINAGE PLATE SUPPORT		1
	6	UNI5737-6-25	BOLT		1
	7	UNI1751-6	GROWER		1
	8	UNI6592-6	WASHER		1
	9	0539-1812	CLAMP 8-12		1
	10	01663-00410	RIVET		2
	11	20-2-701-1	ANGULAR SUPPOR		2



ILLUSTRATED PARTS CATALOGUE



Ed. 1 Rev. 0

INTENTIONALLY LEFT BLANK



ILLUSTRATED PARTS CATALOGUE



Ed. 1 Rev. 0

ATA 74 IGNITION



ILLUSTRATED PARTS CATALOGUE



Ed. 1 Rev. 0

74. IGNITION

-10. ELECTRICAL POWER SUPPLY	3
-30. SWITCHING	7



ILLUSTRATED PARTS CATALOGUE



Ed. 1 Rev. 0

ELECTRICAL POWER SUPPLY

Ed. 1 Rev. 0

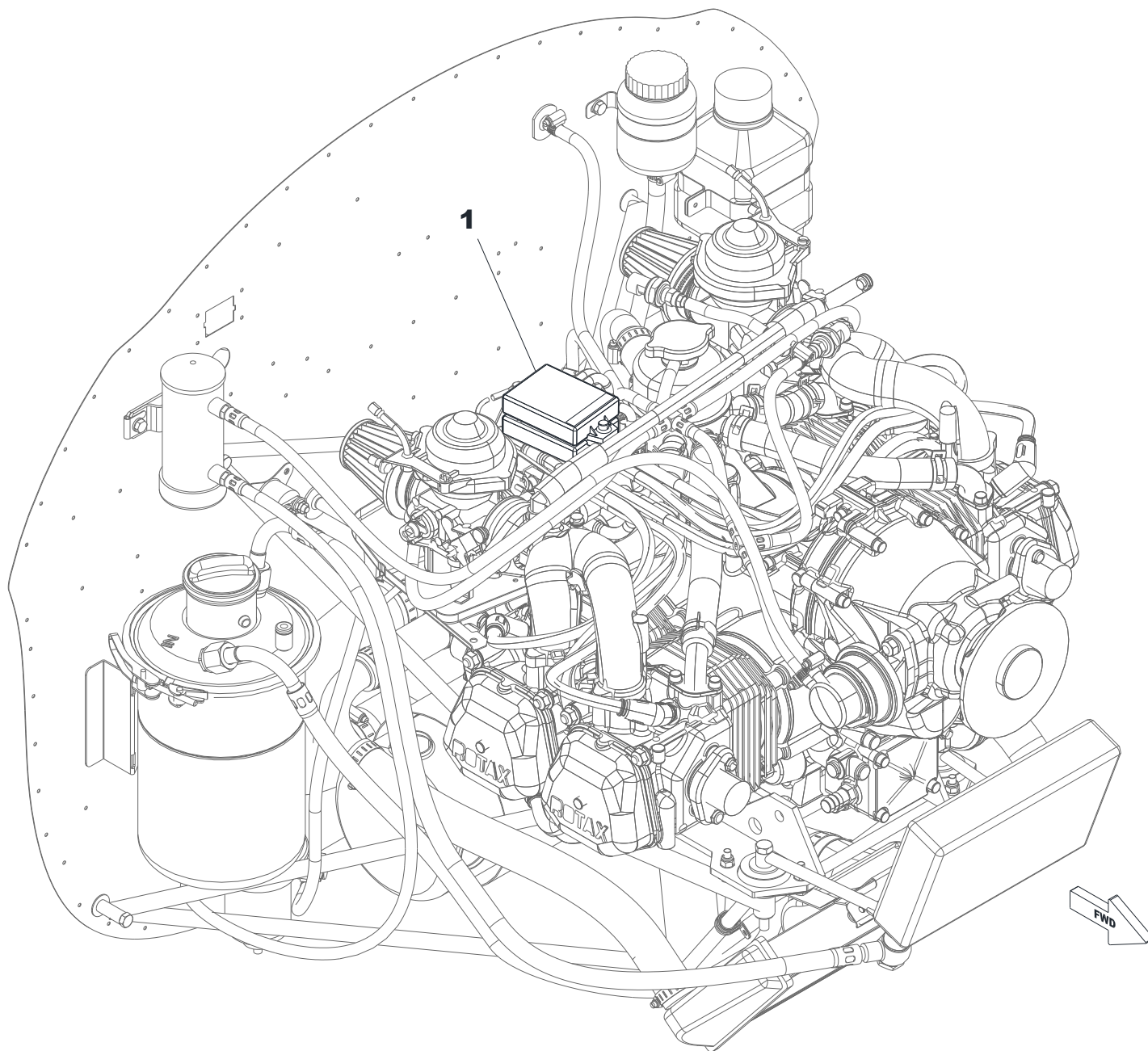


Figure 1 – SMD electronic module



ILLUSTRATED PARTS CATALOGUE



Ed. 1 Rev. 0

FIG.ITEM		P/N	DESCRIPTION	S/N	Q.ty LH RH
1		965444	SMD – ELECTRONIC MODULE		1



ILLUSTRATED PARTS CATALOGUE



Ed. 1 Rev. 0

INTENTIONALLY LEFT BLANK



ILLUSTRATED PARTS CATALOGUE



Ed. 1 Rev. 0

SWITCHING

Ed. 1 Rev. 0

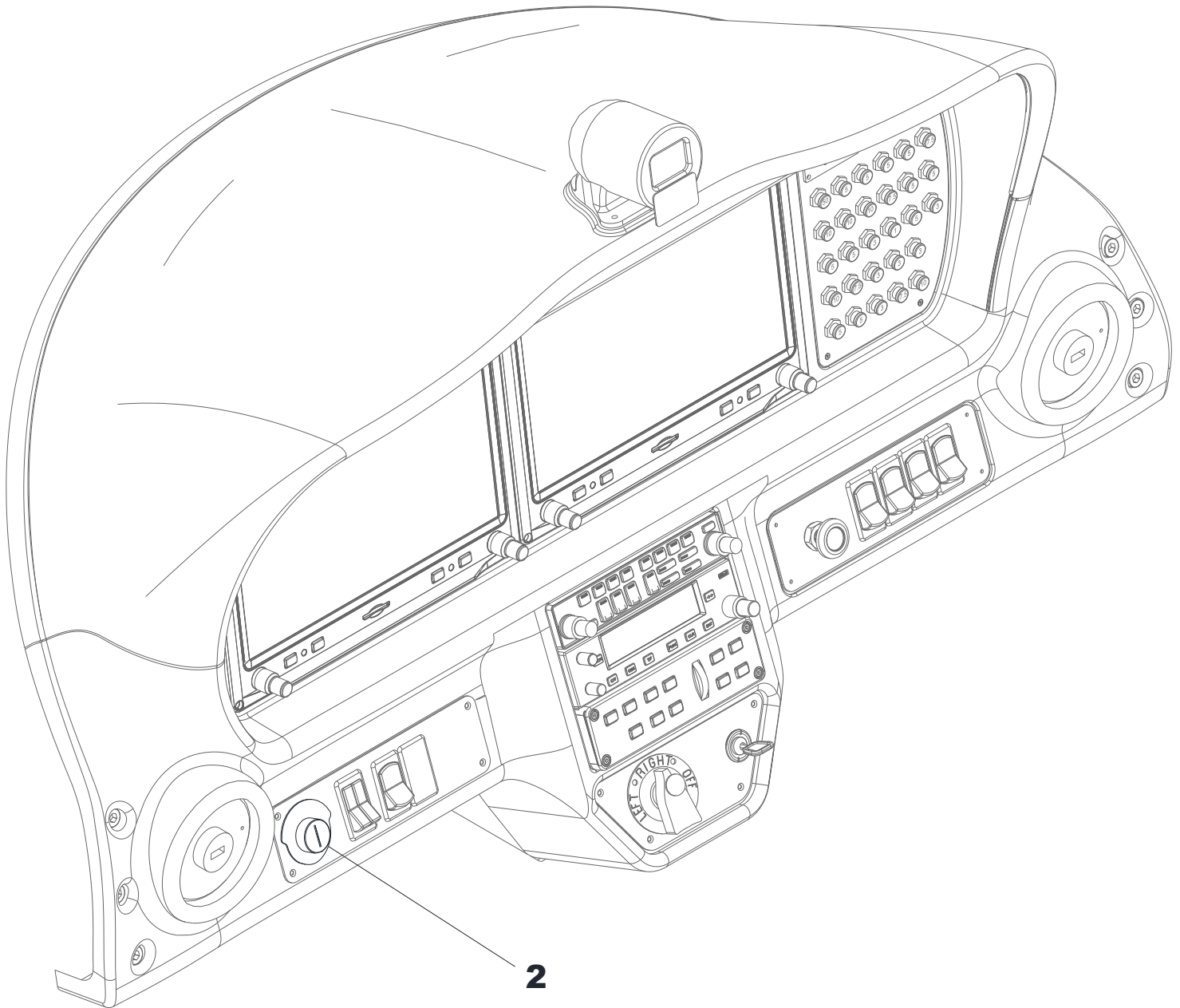


Figure 2 - Ignition switch



ILLUSTRATED PARTS CATALOGUE



Ed. 1 Rev. 0

FIG.ITEM		P/N	DESCRIPTION	S/N	Q.ty LH RH
1		11-03170	IGNITION SWITCH A-510-2		1



ILLUSTRATED PARTS CATALOGUE



Ed. 1 Rev. 0

INTENTIONALLY LEFT BLANK



ILLUSTRATED PARTS CATALOGUE



Ed. 1 Rev. 0

ATA 75 BLEED AIR LIQUID COOLING SYSTEM



ILLUSTRATED PARTS CATALOGUE



Ed. 1 Rev. 0

75. BLEED AIR LIQUID COOLING SYSTEM

-20. ENGINE COOLING 3



ILLUSTRATED PARTS CATALOGUE

*Ag2Echo
MK2*

Ed. 1 Rev. 0

ENGINE COOLING

Ed. 1 Rev. 0

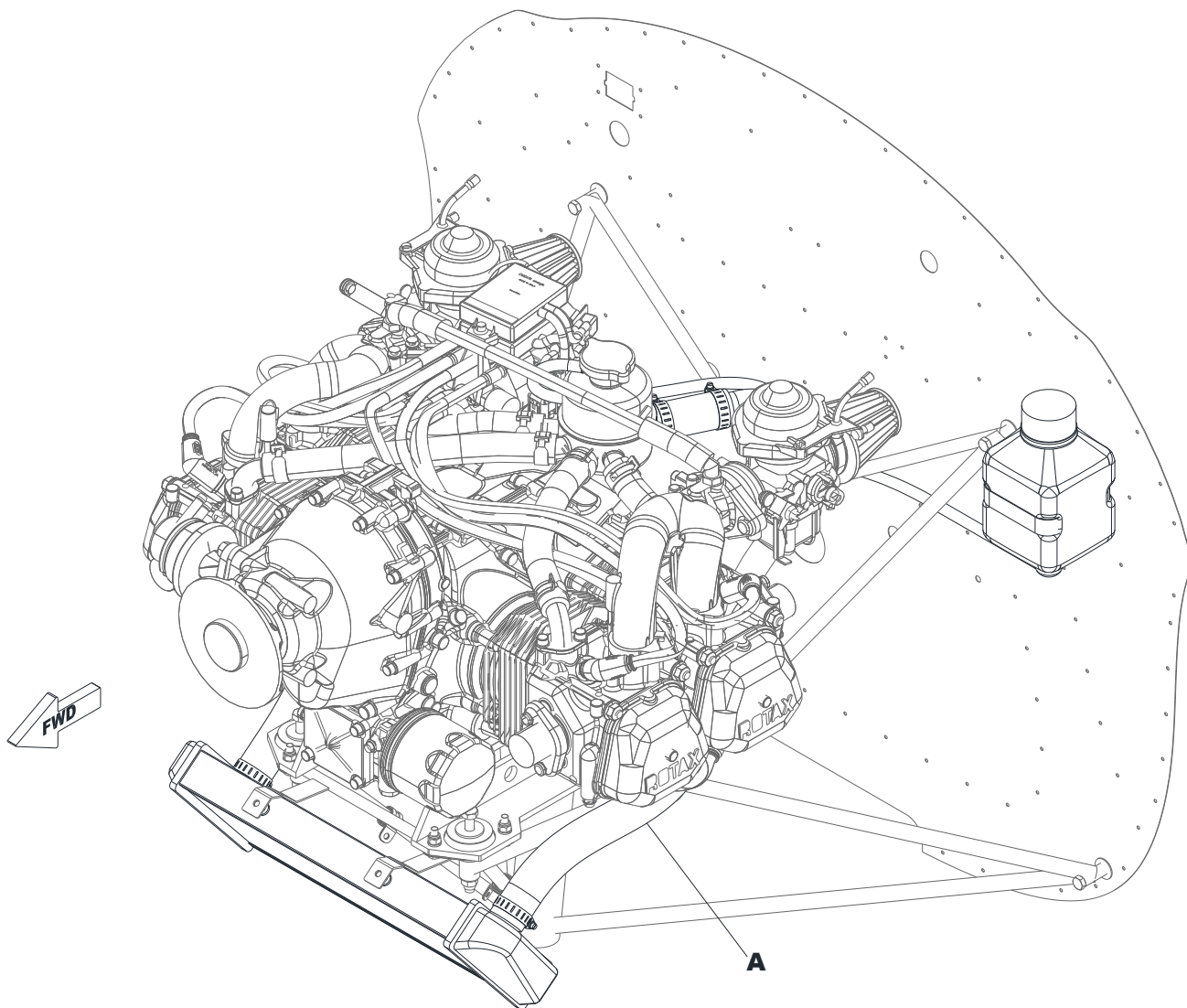


Figure 1 - Cooling system general view

Ed. 1 Rev. 0

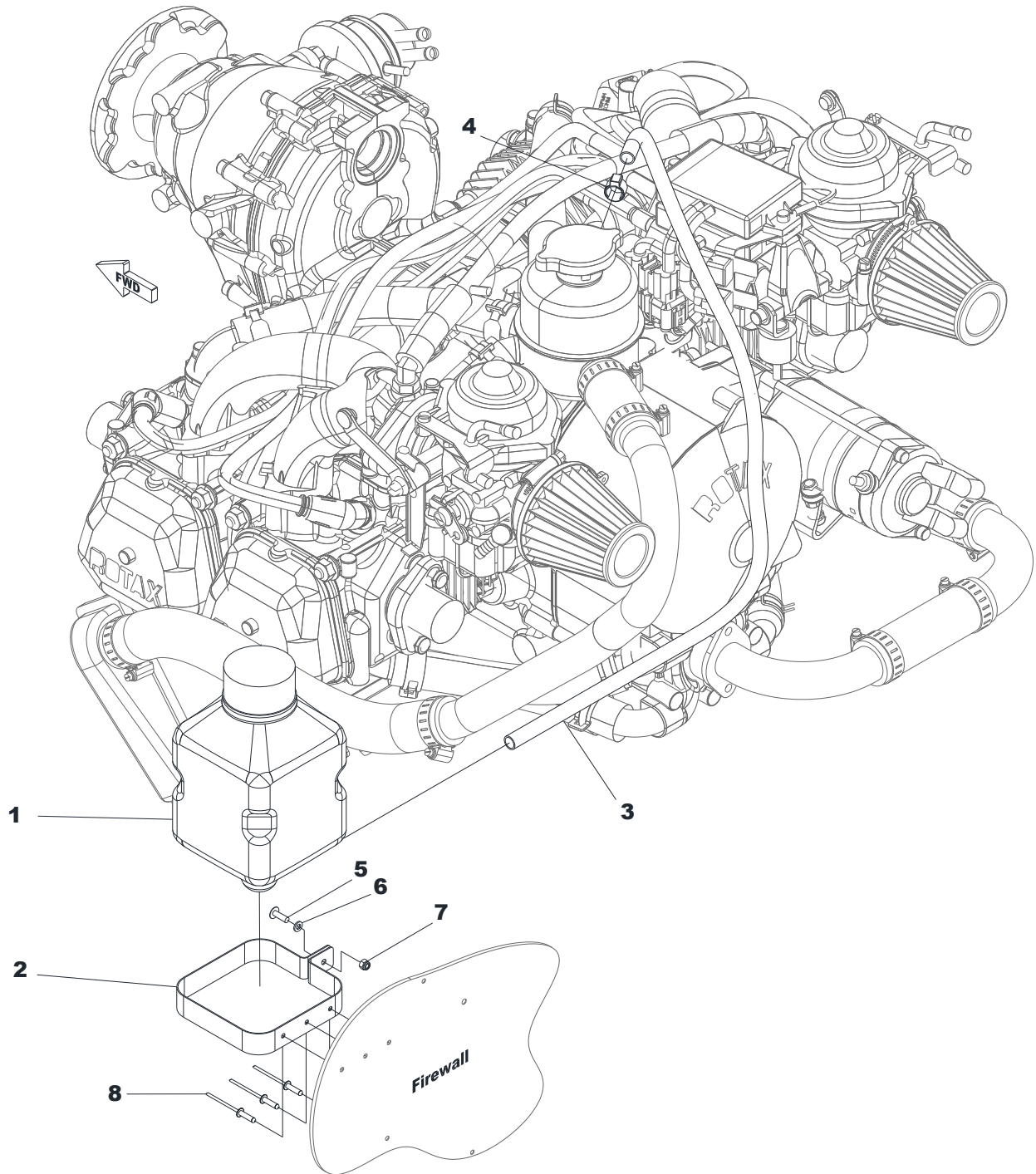


Figure 2 – Coolant storage

Ed. 1 Rev. 0

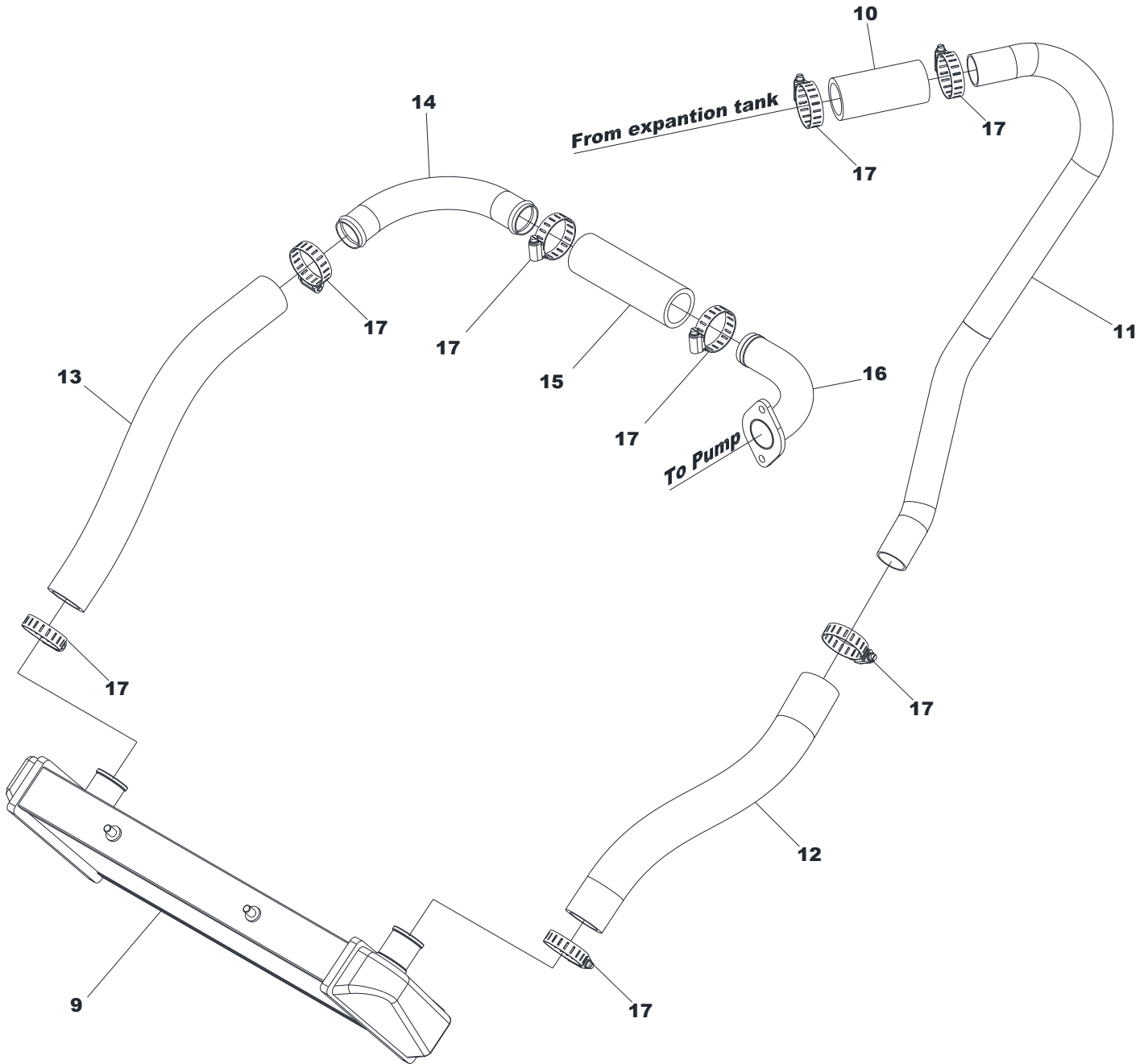


Figure 3 – Coolant distribution

Ed. 1 Rev. 0

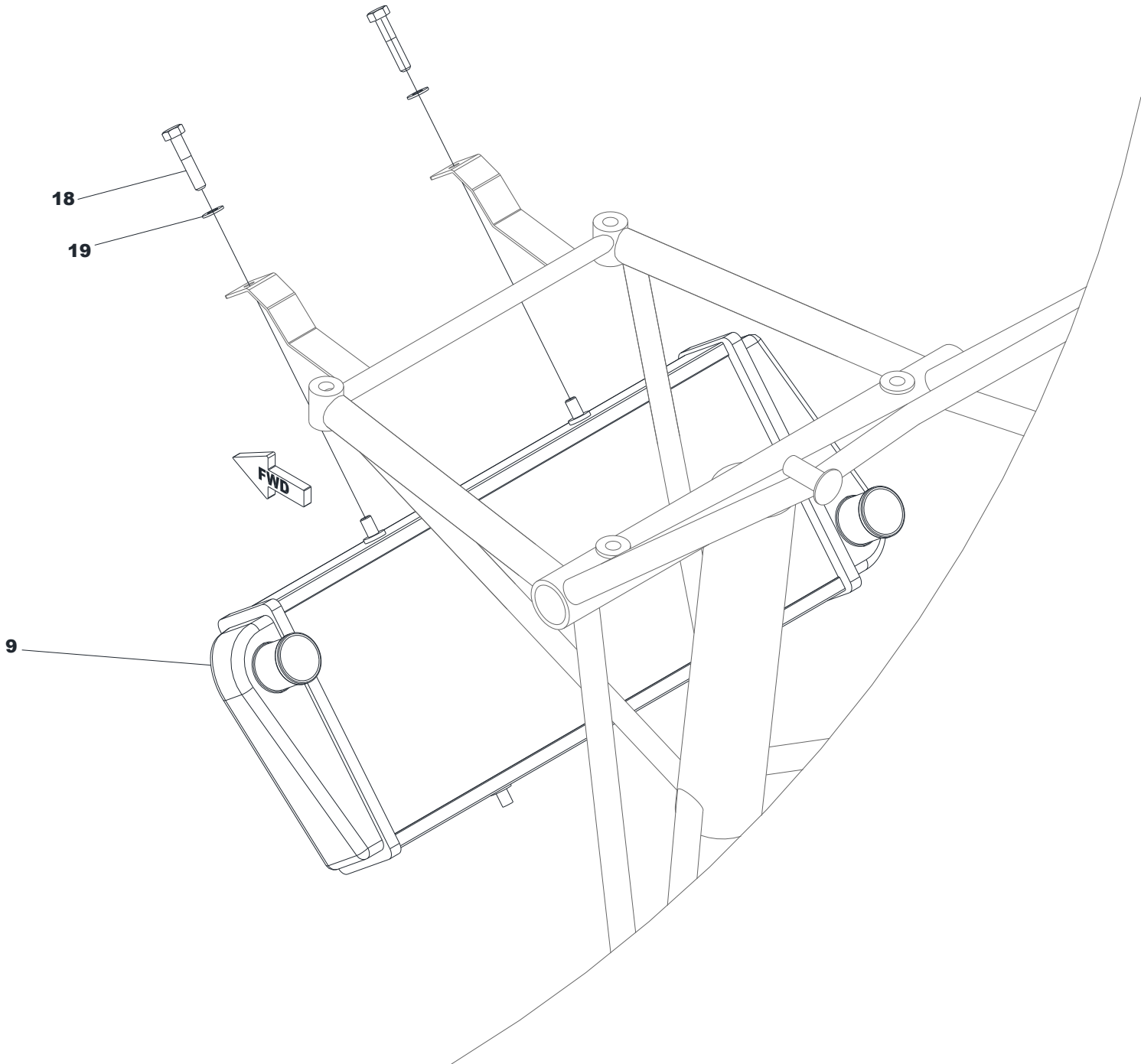


Figure 4 - Radiator installation (sheet 1)

Ed. 1 Rev. 0

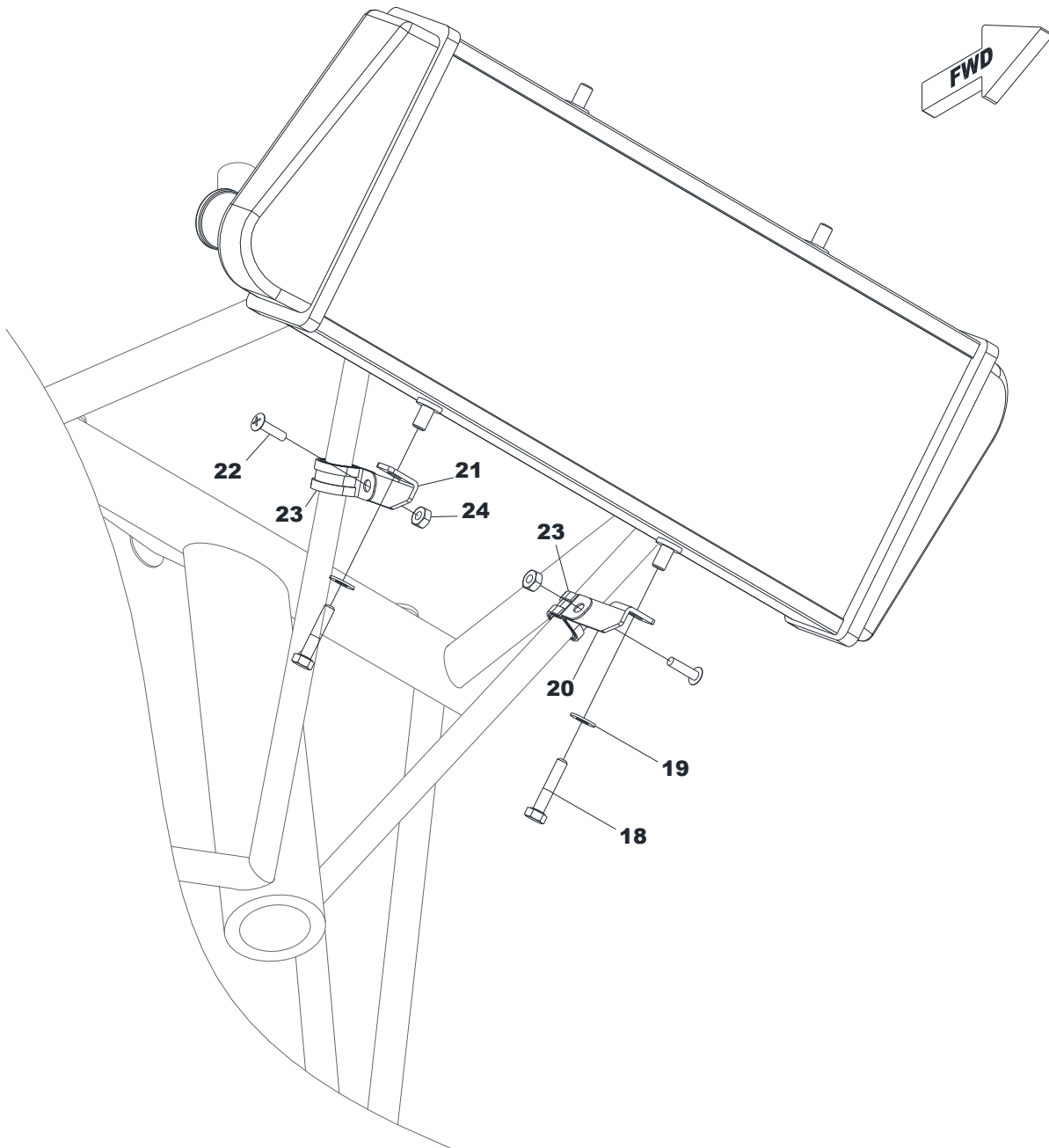


Figure 5 - Radiator installation (sheet 2)

Ed. 1 Rev. 0

FIG.ITEM		P/N	DESCRIPTION	S/N	Q.ty LH RH	
A		218-9-3000-000	COOLING SYSTEM		1	
	1	0023VTF-0.7 LT	WATER RESERVOIR		1	
	2	26-7-1556-1	WATER RESERVOIR SUPPORT		1	
	3	218-9-3010-1	RESERVOIR TO EXPANTION TANK HOSE		1	
	4	05413155	OETIKER 15.5 CLAMP		1	
	5	UNI7687-4-12	SCREW		1	
	6	UNI6592-4	WASHER		1	
	7	UNI7473-4	STOP NUT		1	
	8	01663-00410	BLIND RIVETS		3	
	9	997084	RADIATOR		1	
	10	218-9-3002-1	FROM EXPANTION TANK TO JOINT HOSE		1	
	11	218-9-3020-000	JOINT		1	
	12	218-9-3004-000	FROM JOINT TO RADIATOR HOSE		1	
	13	218-9-3006-000	FROM RADIATOR TO JOINT HOSE		1	
	14	92-9-247-1	JOINT		1	
	15	218-9-3008-1	FROM JOINT TO PUMP JOINT HOSE		1	
	16	92-11-880-000	PUMP JOINT		1	
	17	QS200-16H	AEROSEAL CLAMP		8	
	18	UNI5739-6-16	BOLT		4	
	19	UNI1751-6	GROWER		4	
	20	218-9-3012-1	LOWER RADIATOR SUPPORT LH		1	
	21	218-9-3012-2	LOWER RADIATOR SUPPORT RH			1
	22	UNI7487-4-12	SCREW		2	
	23	MS21919WDG8	WDG CLAMP		2	
	24	UNI7473-4	STOP NUT		2	
	25	05392812	SERFLEX BAND		1	



ILLUSTRATED PARTS CATALOGUE



Ed. 1 Rev. 0

INTENTIONALLY LEFT BLANK



ILLUSTRATED PARTS CATALOGUE



Ed. 1 Rev. 0

ATA 76 ENGINE CONTROLS



ILLUSTRATED PARTS CATALOGUE



Ed. 1 Rev. 0

76. ENGINE CONTROLS

-10. POWER CONTROL..... 3



ILLUSTRATED PARTS CATALOGUE



Ed. 1 Rev. 0

POWER CONTROL

Ed. 1 Rev. 0

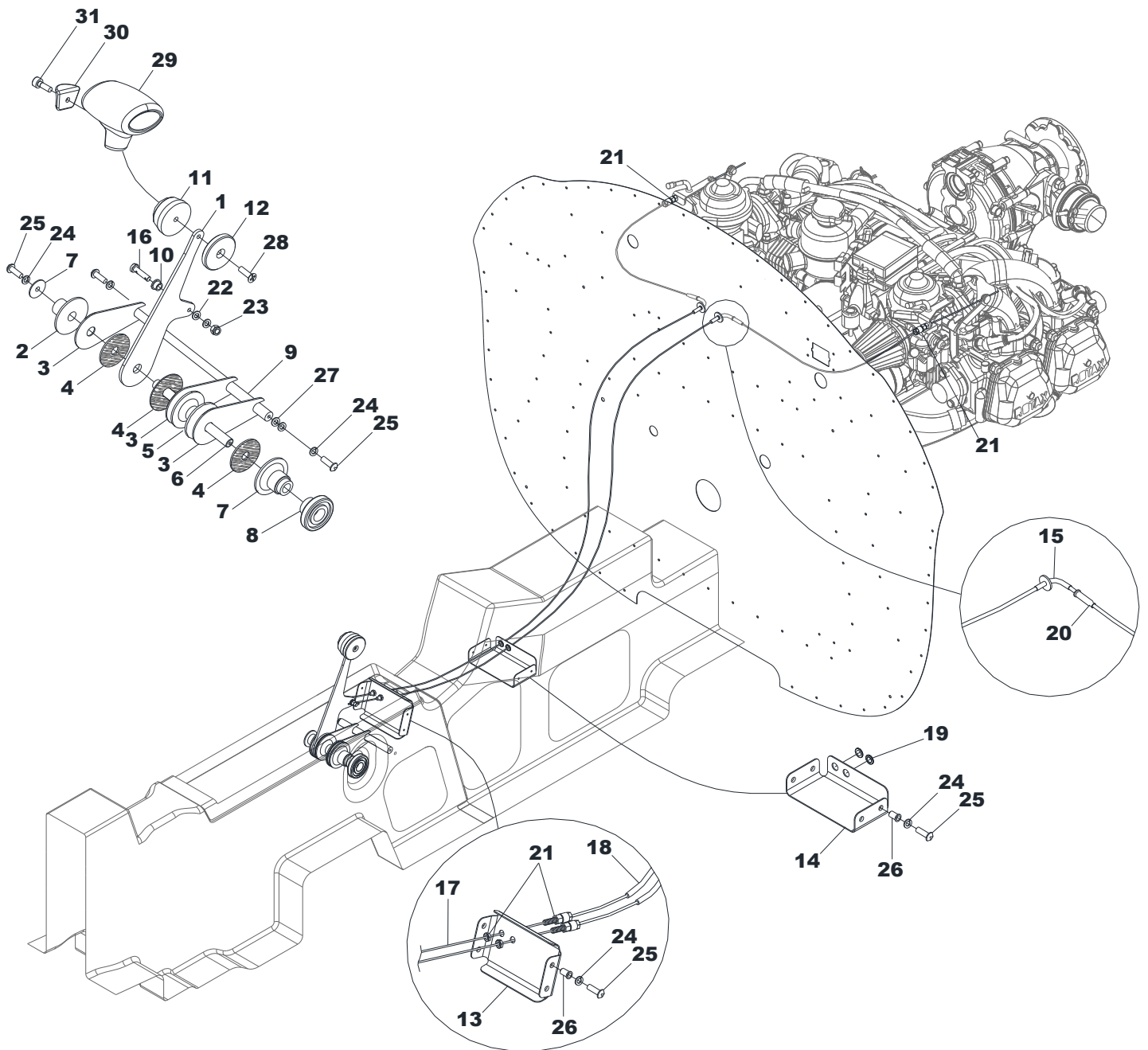


Figure 1 - Throttle control

FIG.ITEM		P/N	DESCRIPTION	S/N	Q.ty LH RH	
1		218-12-1036-1	THROTTLE LEVER		1	
2		22-5-710-1	SPACER 1		1	
3		26-9-3009-1	FRICITION LEVER		3	
4		MIOO605	BRAKE LINING		3	
5		22-5-710-3	SPACER 2		1	
6		22-5-710-5	SHAFT		1	
7		22-5-710-2	SPACER 3			1
8		26-9-3002-1	FRICITION REGULATION KNOB			1
9		210-6-2006-001	SHAFT		1	
10		28-9-4048-1	BUSHING		1	
11		26-9-3008-3	TROTTLE LEVER KNOB		1	
12		26-9-3008-1	TROTTLE LEVER KNOB FIXING PART		1	
13		218-12-1032-1	BOWDEN STOP		1	
14		218-12-1044-1	BOWDEN GUIDE PLATE		1	
15		28-9-1658-000	BULKHEAD		1	
16		28-9-4048-2	DRILLED BOLT		1	
17		CI3005005400	THROTTLE CABLE		2	
18		KGSHITEK	CABLE SHEATH		2	
19		1026	RUBBER GROMMET (Ø 10 mm)		2	
20		0147600-06	CAP		2	
21		PIC-M6	CONNECTOR		4	
22		UNI6592-6	WASHER		2	
23		UNI7474-6	STOP NUT		1	
24		UNI1751-4	GROWER		9	
25		UNI7048-4-14	SCREW		9	
26		UNI9201-4	RIVNUT		8	
27		UNI6592-4	WASHER		2	
28		UNI7687-4-16	SCREW		1	
29		209-5-621-1	TROTTLE LEVER KNOB (OPT)		1	
30		209-5-621-2	TROTTLE LEVER KNOB FIXING PART (OPT)		1	
31		DIN 912-4-10	SCREW		1	

Ed. 1 Rev. 0

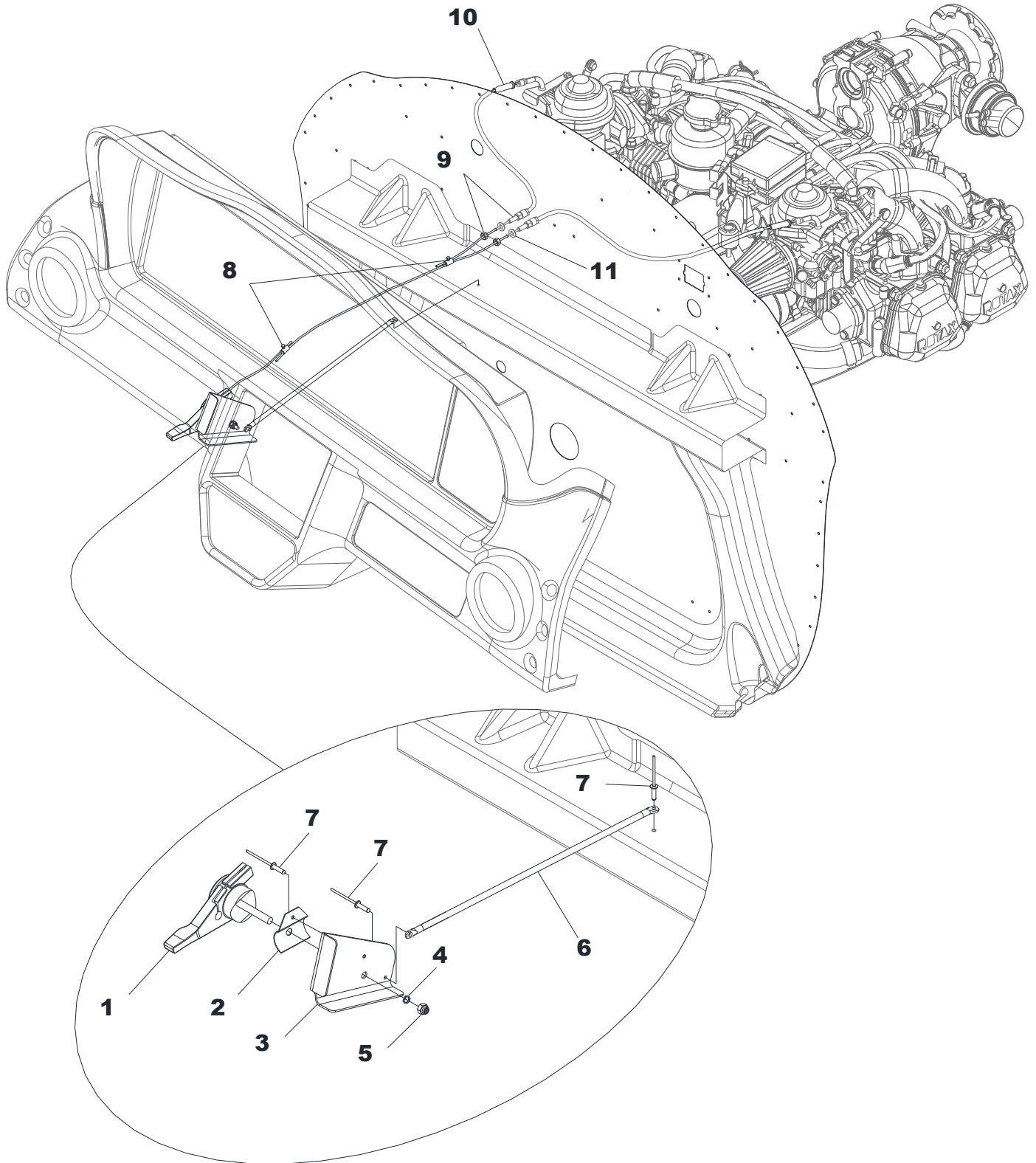


Figure 2 - Choke control

Ed. 1 Rev. 0

FIG.ITEM		P/N	DESCRIPTION	S/N	Q.ty LH RH
	1	719026	CHOKE CONTROL KNOB		1
	2	92-5-910-1	CHOKE CONTROL KNOB SUPPORT		1
	3	218-12-1046-1	CHOKE CONTROL KNOB ANGULAR SUPPORT		1
	4	UNI1761-6	GROWER		1
	5	UNI7474-6	STOP NUT		1
	6	218-12-1066-1	CHOKE SUPPORT ROD		1
	7	01633-00414	BLIND RIVET		3
	8	55101000000	BOWDEN CLAMP		2
	9	PIC-M6	CONNECTOR		2
	10	0147600-06	CAP		2
	11	UNI6592-6	WASHER		2



ILLUSTRATED PARTS CATALOGUE



Ed. 1 Rev. 0

INTENTIONALLY LEFT BLANK



ILLUSTRATED PARTS CATALOGUE



Ed. 1 Rev. 0

ATA 77 ENGINE INDICATING



ILLUSTRATED PARTS CATALOGUE



Ed. 1 Rev. 0

77. ENGINE INDICATING

-10. POWER.....	3
-20. TEMPERATURE.....	9
-40. INTEGRATED ENGINE INSTRUMENT SYSTEMS	13



ILLUSTRATED PARTS CATALOGUE



Ed. 1 Rev. 0

POWER

Ed. 1 Rev. 0

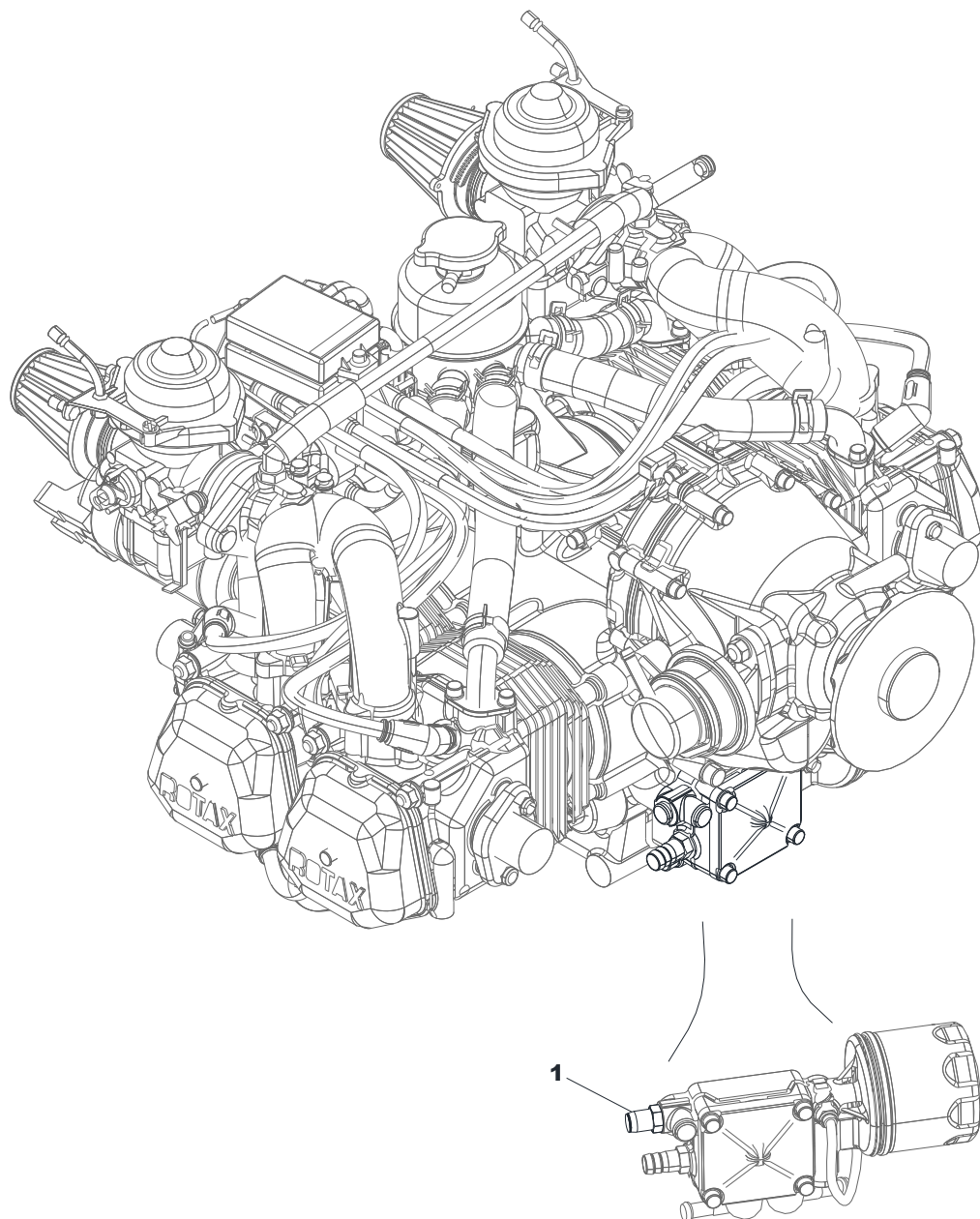


Figure 1 - Oil pressure probe



ILLUSTRATED PARTS CATALOGUE



Ed. 1 Rev. 0

FIG.ITEM		P/N	DESCRIPTION	S/N	Q.ty LH RH
1		456180	OIL PRESSURE PROBE		1

Ed. 1 Rev. 0

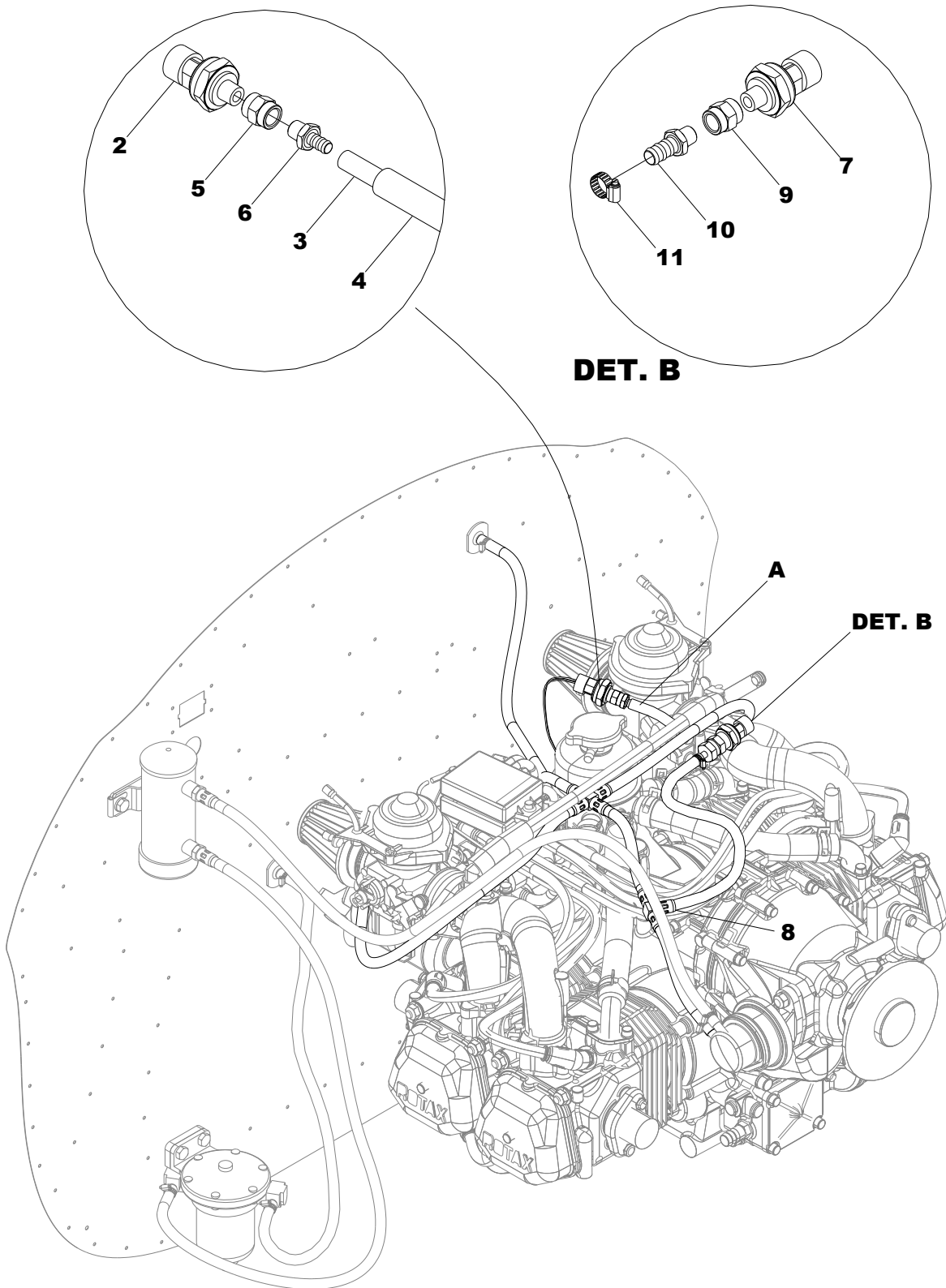


Figure 2 - Fuel pressure and MAP sensor

Ed. 1 Rev. 0

FIG.ITEM		P/N	DESCRIPTION	S/N	Q.ty LH RH
A		218-10-1040-000	MAP SENSOR ASSY		1
	2	P4055-30A	MAP SENSOR		1
	3	210-10-1040-1	MAP SENSOR HOSE		1
	4	218-10-1041-1	SHEATH		1
	5	2543-1/8	JOINT		1
	6	26017-1/8	FITTING		1
7		P4055-15G	FUEL PRESSURE SENSOR		1
8		218-9-1020-000	ENGINE TUBES ASSY (IN REF. TO ATA 28)		1
9		2543-1/8	JOINT		1
10		A107/3	FITTING		1
11		05391812	8-12 CLAMP		1



ILLUSTRATED PARTS CATALOGUE



Ed. 1 Rev. 0

INTENTIONALLY LEFT BLANK



ILLUSTRATED PARTS CATALOGUE



Ed. 1 Rev. 0

TEMPERATURE

Ed. 1 Rev. 0

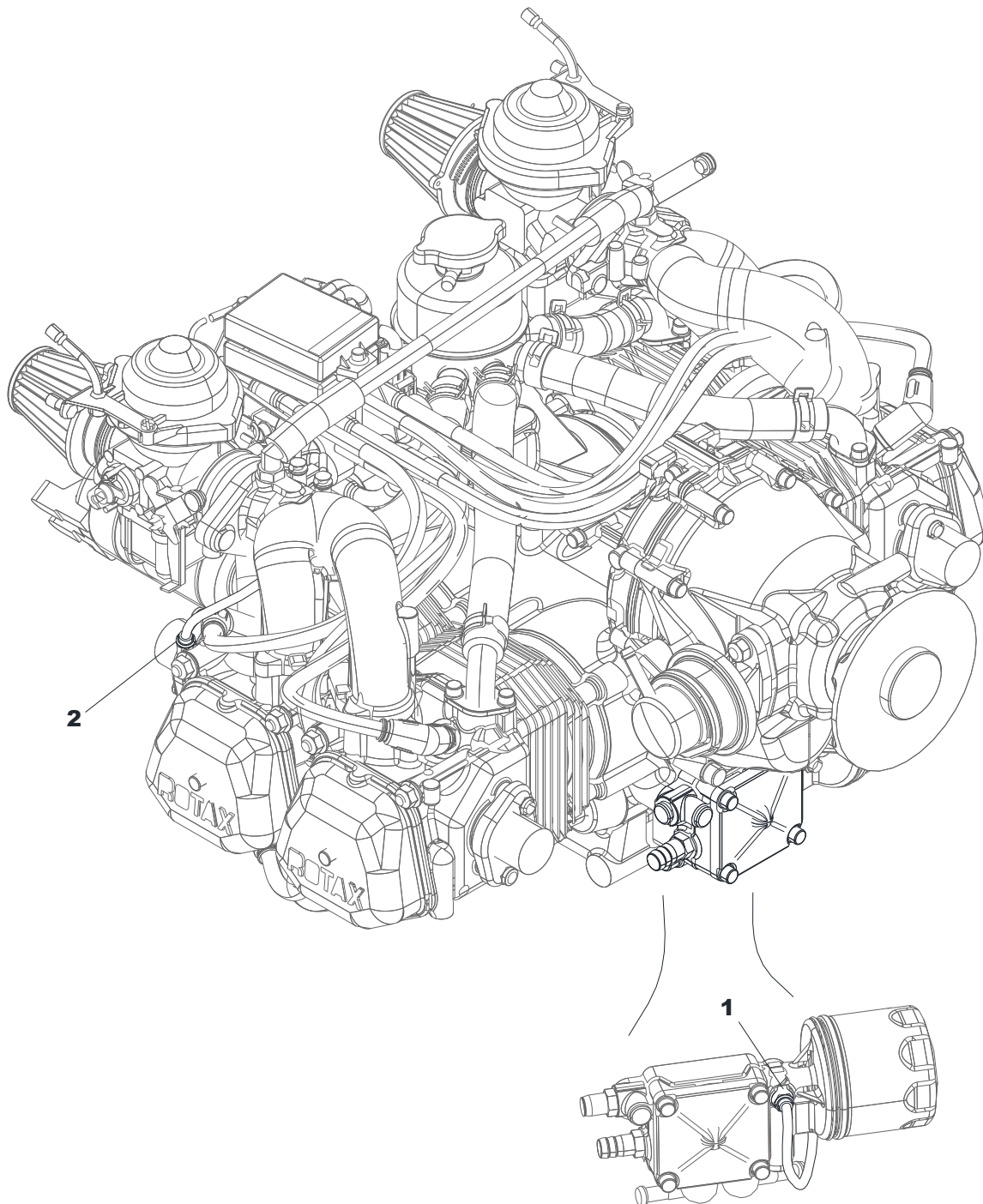


Figure 3 - Oil and coolant temperature probe



ILLUSTRATED PARTS CATALOGUE

*Ag2 Echo
MK2*

Ed. 1 Rev. 0

FIG.ITEM		P/N	DESCRIPTION	S/N	Q.ty LH RH
1		965531	OIL TEMPERATURE PROBE		1
2		965531	COOLANT TEMPERATURE PROBE		1



ILLUSTRATED PARTS CATALOGUE



Ed. 1 Rev. 0

INTENTIONALLY LEFT BLANK



ILLUSTRATED PARTS CATALOGUE



Ed. 1 Rev. 0

INTEGRATED ENGINE INSTRUMENT SYSTEMS

Ed. 1 Rev. 0

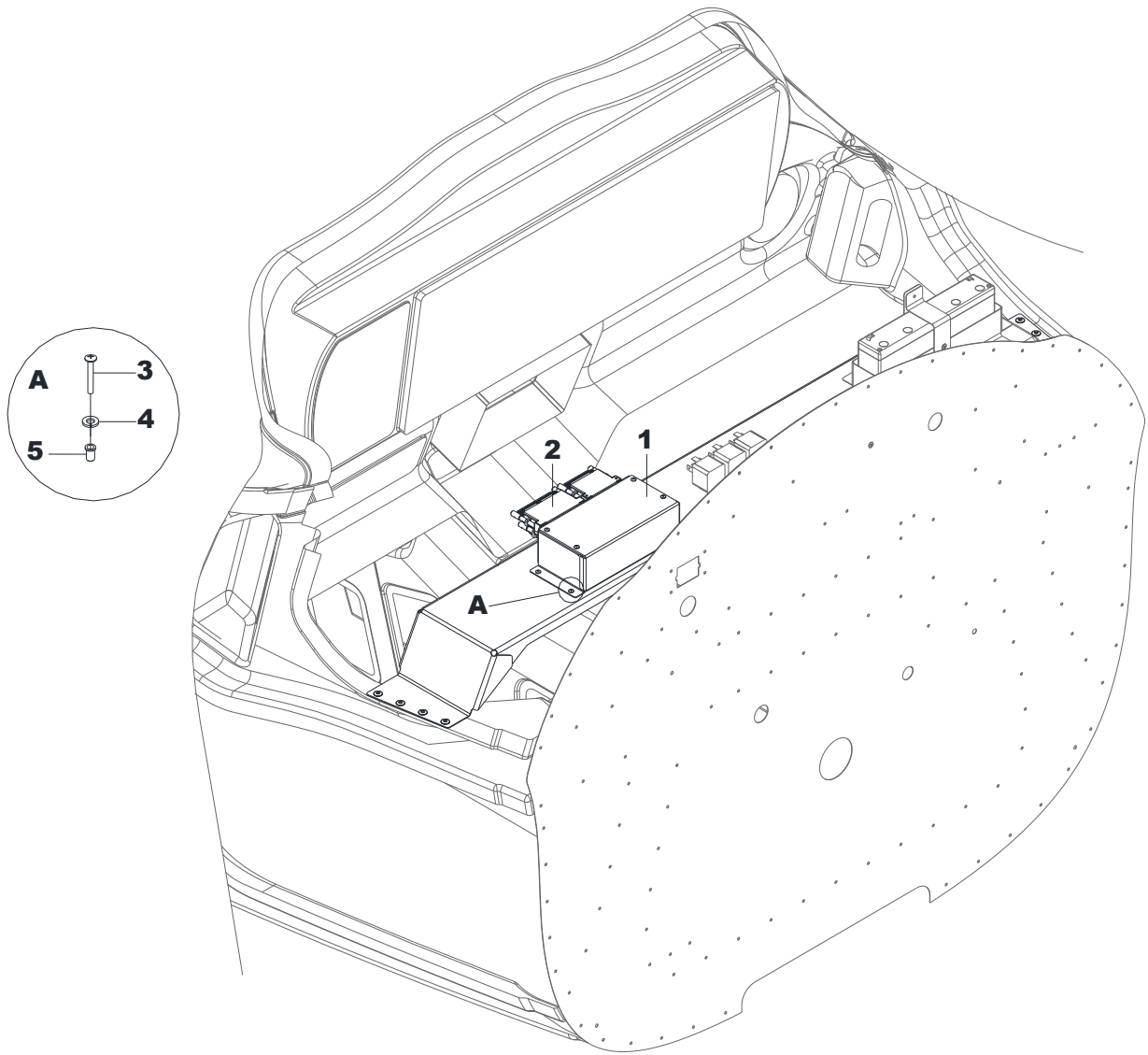


Figure 4 - GEA 24

**ILLUSTRATED PARTS
CATALOGUE***Ag2 Echo
MK2*

Ed. 1 Rev. 0

FIG.ITEM		P/N	DESCRIPTION	S/N	Q.ty LH RH
1		010-01042-00	GEA 24		1
2		011-02886-00	GEA 24 CONNECTOR KIT		1
3		UNI7048-4-12	SCREW		4
4		UNI1751-B	GROWER		4
5		UNI9201-4	RIVNUT		4



ILLUSTRATED PARTS CATALOGUE



Ed. 1 Rev. 0

INTENTIONALLY LEFT BLANK



ILLUSTRATED PARTS CATALOGUE



Ed. 1 Rev. 0

ATA 78 EXHAUST



ILLUSTRATED PARTS CATALOGUE



Ed. 1 Rev. 0

78. EXHAUST

-00. GENERAL.....	3
-10. COLLECTOR/NOZZLE.....	7



ILLUSTRATED PARTS CATALOGUE



Ed. 1 Rev. 0

GENERAL

Ed. 1 Rev. 0

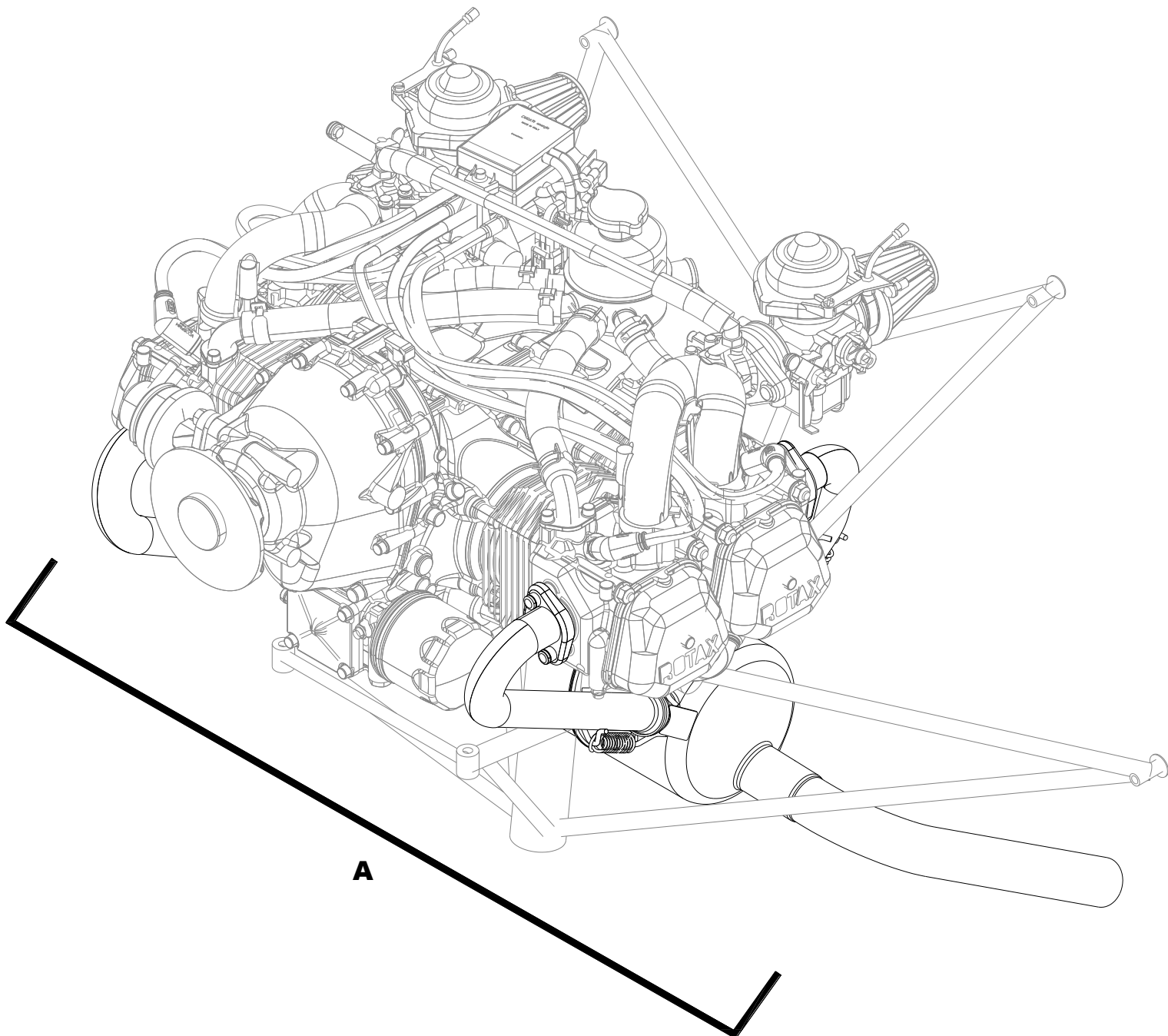


Figure 1 – Exhaust general view



ILLUSTRATED PARTS CATALOGUE



Ed. 1 Rev. 0

FIG.ITEM		P/N	DESCRIPTION	S/N	Q.ty LH RH
1			EXHAUST SYSTEM		1



ILLUSTRATED PARTS CATALOGUE



Ed. 1 Rev. 0

INTENTIONALLY LEFT BLANK

ATA 78-00 GENERAL



ILLUSTRATED PARTS CATALOGUE

Ag2Echo
MK2

Ed. 1 Rev. 0

COLLECTOR/NOZZLE

Ed. 1 Rev. 0

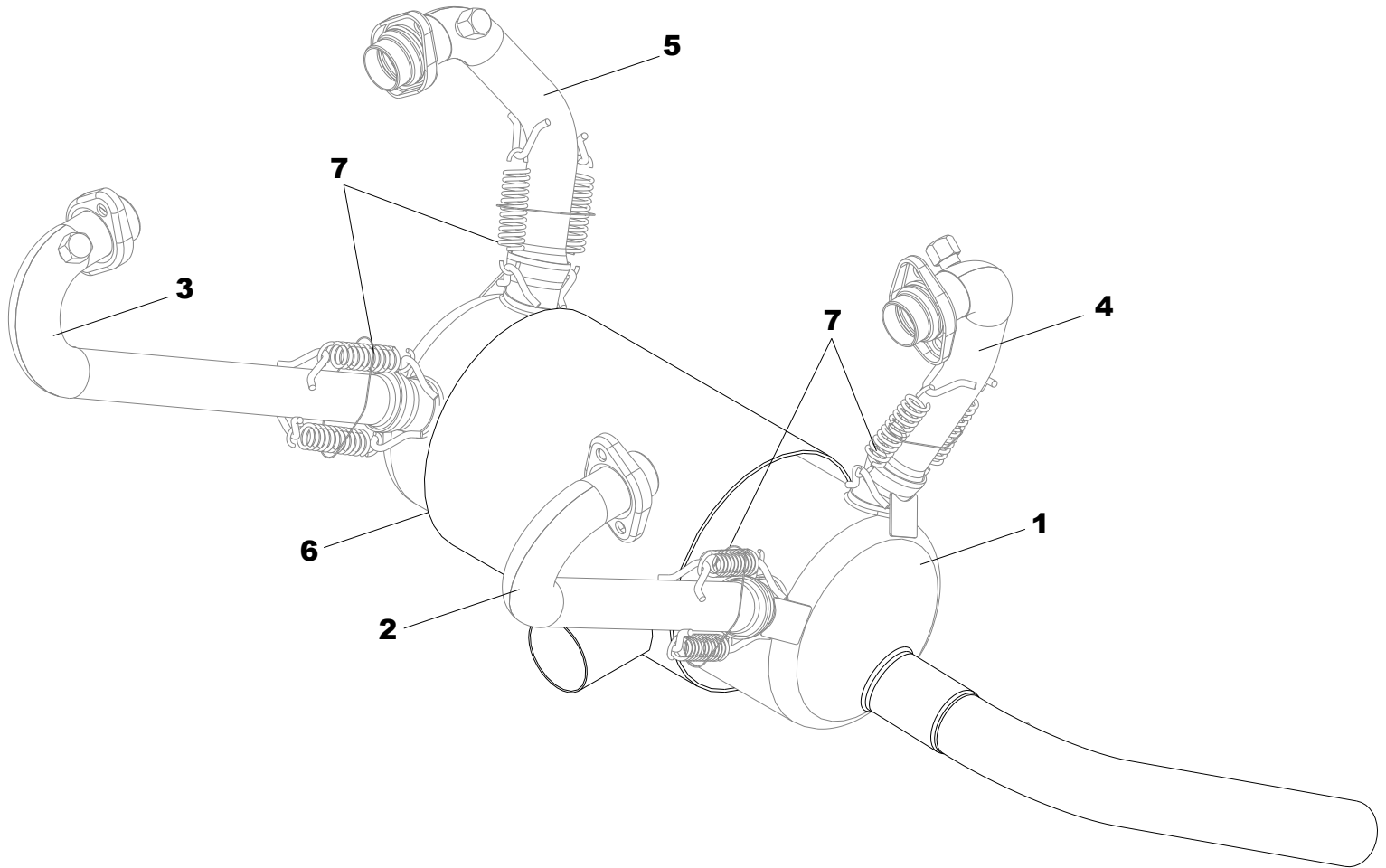


Figure 2 – Exhaust system



ILLUSTRATED PARTS CATALOGUE



Ed. 1 Rev. 0

FIG.ITEM		P/N	DESCRIPTION	S/N	Q.ty LH RH	
	1	22-11-450-002	MUFFLER ASSY		1	
	2	92-11-750-003	EXHAUST PIPE FWD LH		1	
	3	92-11-750-006	EXHAUST PIPE FWD RH			1
	4	92-11-750-001	EXHAUST PIPE RWD LH		1	
	5	92-11-750-005	EXHAUST PIPE RWD RH			1
	6	218-10-1050-000	HEAT EXHANGER ASSY		1	
	7	938795	EXHAUST SPRING ROTAX		8	



ILLUSTRATED PARTS CATALOGUE

*Ag2Echo
MK2*

Ed. 1 Rev. 0

INTENTIONALLY LEFT BLANK

ATA 78-10 COLLECTOR/NOZZLE



ILLUSTRATED PARTS CATALOGUE



Ed. 1 Rev. 0

**ATA 79
OIL**



ILLUSTRATED PARTS CATALOGUE



Ed. 1 Rev. 0

79. OIL

-10. STORAGE.....	3
-20. DISTRIBUTION.....	7



ILLUSTRATED PARTS CATALOGUE



Ed. 1 Rev. 0

STORAGE

Ed. 1 Rev. 0

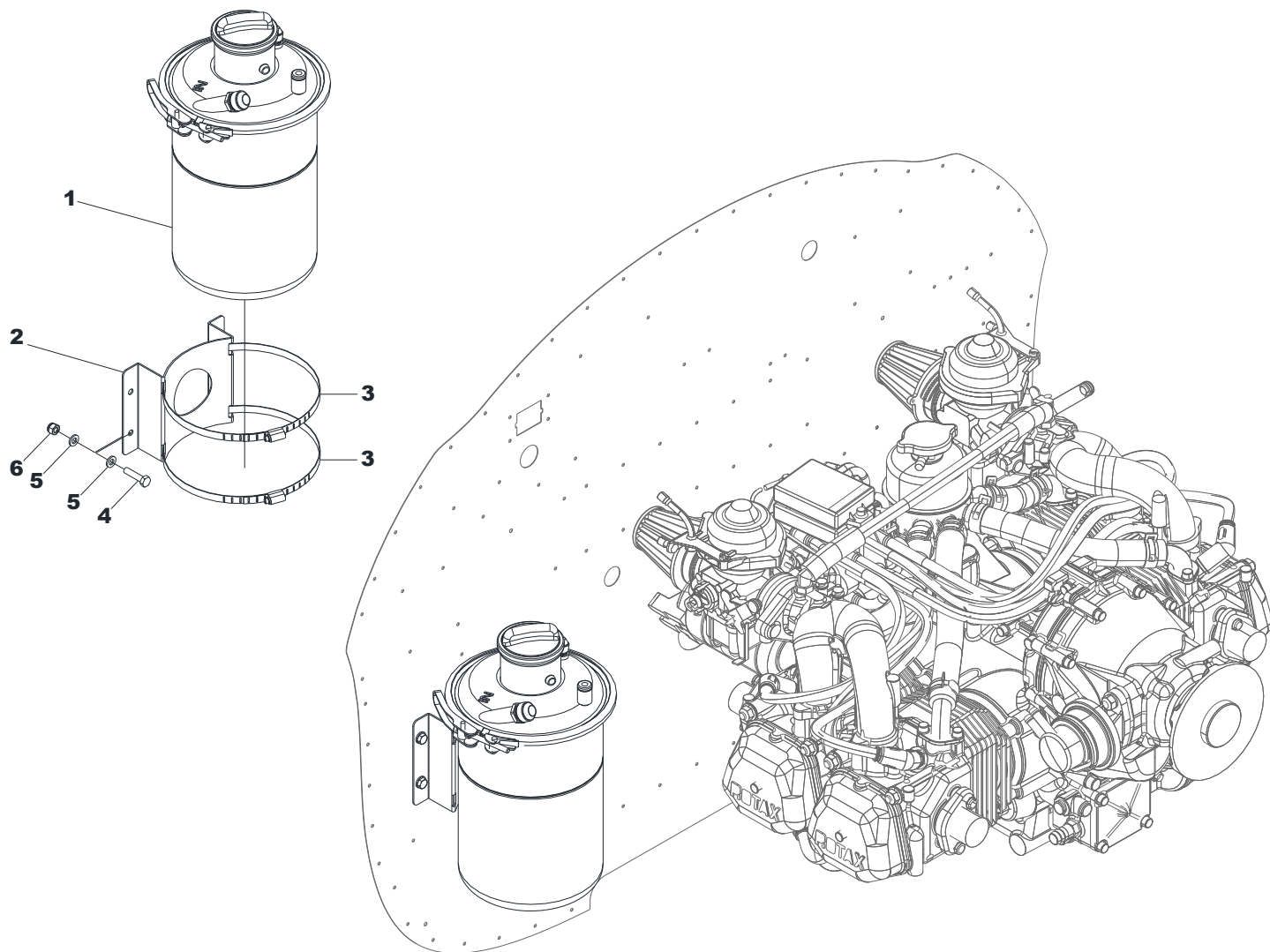


Figure 1 – Oil tank



ILLUSTRATED PARTS CATALOGUE

*Ag2 Echo
MK2*

Ed. 1 Rev. 0

FIG.ITEM		P/N	DESCRIPTION	S/N	Q.ty LH RH
1		956137	OIL TANK		1
2		28-9-5009-1	OIL TANK SUPPORT		1
3		0549230150	CLAMP		2
4		UNI5737-6-20	BOLT		2
5		UNI6592-6	WASHER		4
6		UNI7473-6	STOP NUT		2



ILLUSTRATED PARTS CATALOGUE



Ed. 1 Rev. 0

INTENTIONALLY LEFT BLANK



ILLUSTRATED PARTS CATALOGUE



Ed. 1 Rev. 0

DISTRIBUTION

Ed. 1 Rev. 0

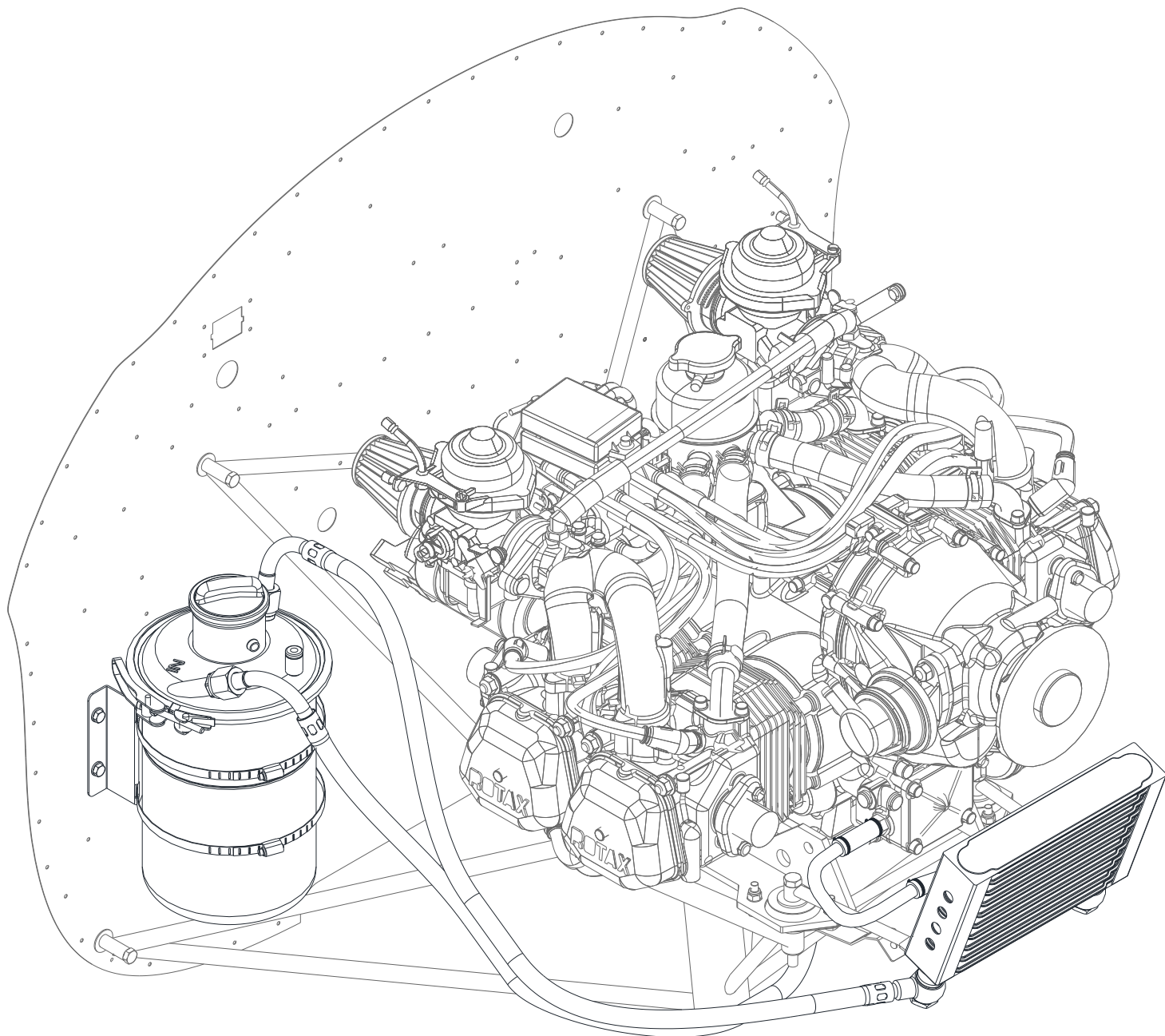


Figure 2 – Oil distribution

Ed. 1 Rev. 0

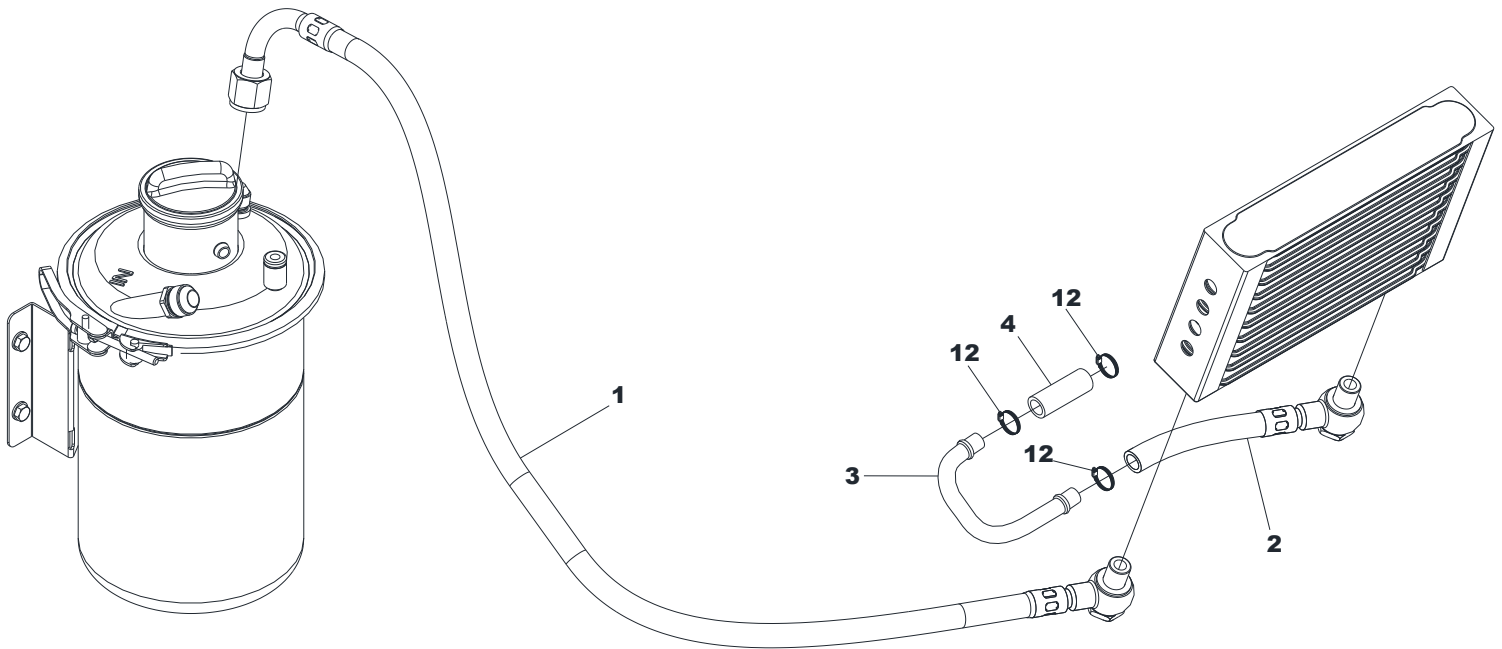


Figure 3 – Oil distribution (to engine)

Ed. 1 Rev. 0

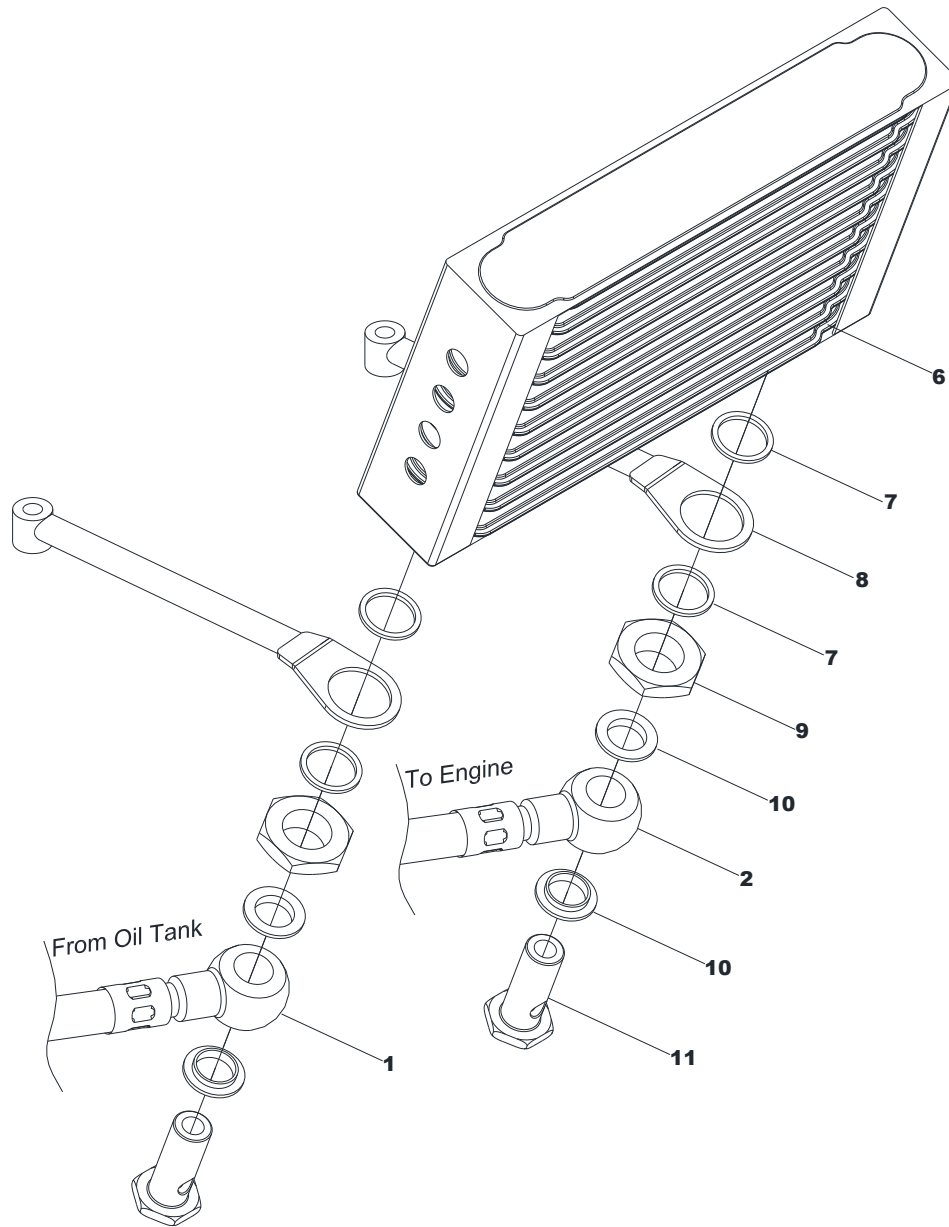


Figure 4 - Radiator installation

Ed. 1 Rev. 0

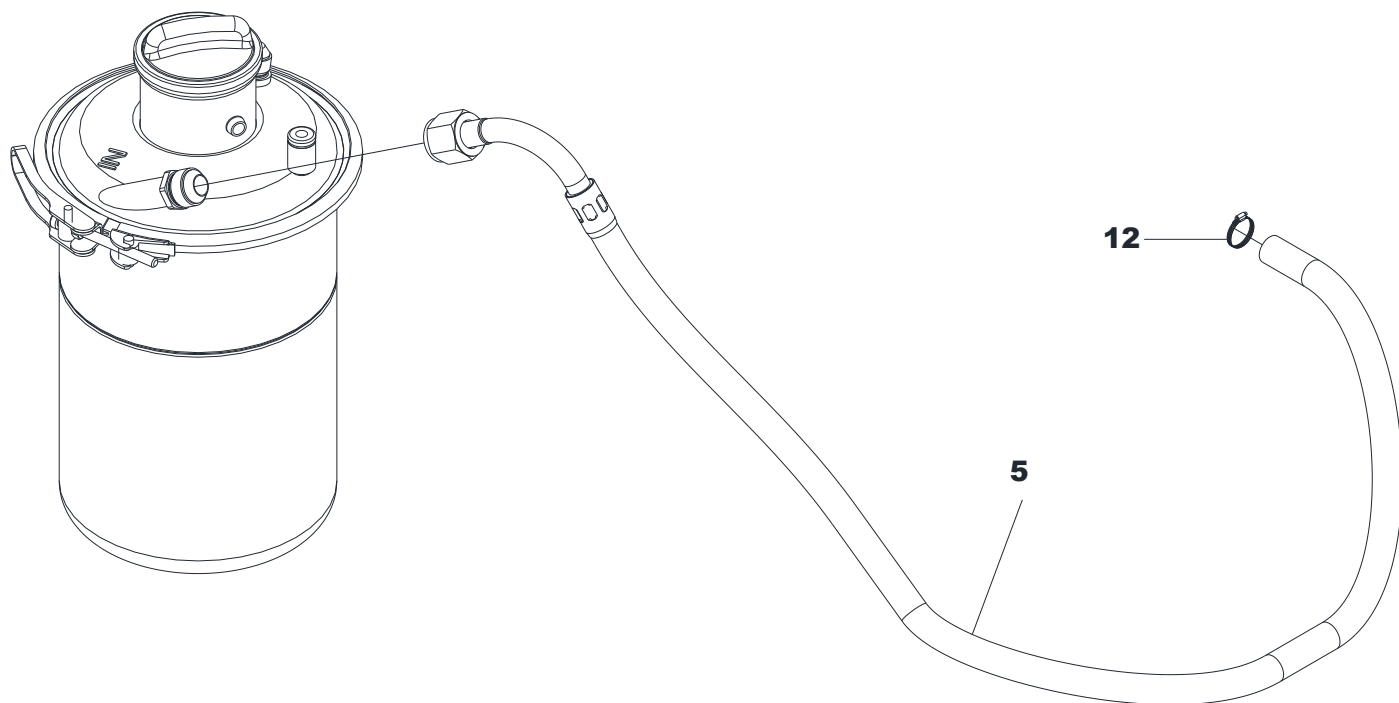


Figure 5 – Oil distribution (from engine)

Ed. 1 Rev. 0

FIG.ITEM		P/N	DESCRIPTION	S/N	Q.ty LH RH
	1	218-9-4002-000	OIL TANK TO RADIATOR HOSE		1
	2	218-9-4004-000	RADIATOR TO FITTING HOSE		1
	3	92-11-990-6	FITTING		1
	4	218-9-4006-1	FITTING TO ENGINE HOSE		1
	5	218-9-4008-000	ENGINE TO OIL TANK HOSE		1
	6	886033	RADIATOR		1
	7	92-11-908-4	WASHER		4
	8	20-11-908-000	RADIATOR SUPPORT		2
	9	22-9-195-1	NUT		2
	10	92-11-990-5	COPPER BUSHING		4
	11	92-11-990-2	BANJO BOLT		2
	12	0549230150	CLAMP		4



ILLUSTRATED PARTS CATALOGUE



Ed. 1 Rev. 0

ATA 80 STARTING



ILLUSTRATED PARTS CATALOGUE



Ed. 1 Rev. 0

80. STARTING

-10. CRANKING..... 3



ILLUSTRATED PARTS CATALOGUE



Ed. 1 Rev. 0

CRANKING

Ed. 1 Rev. 0

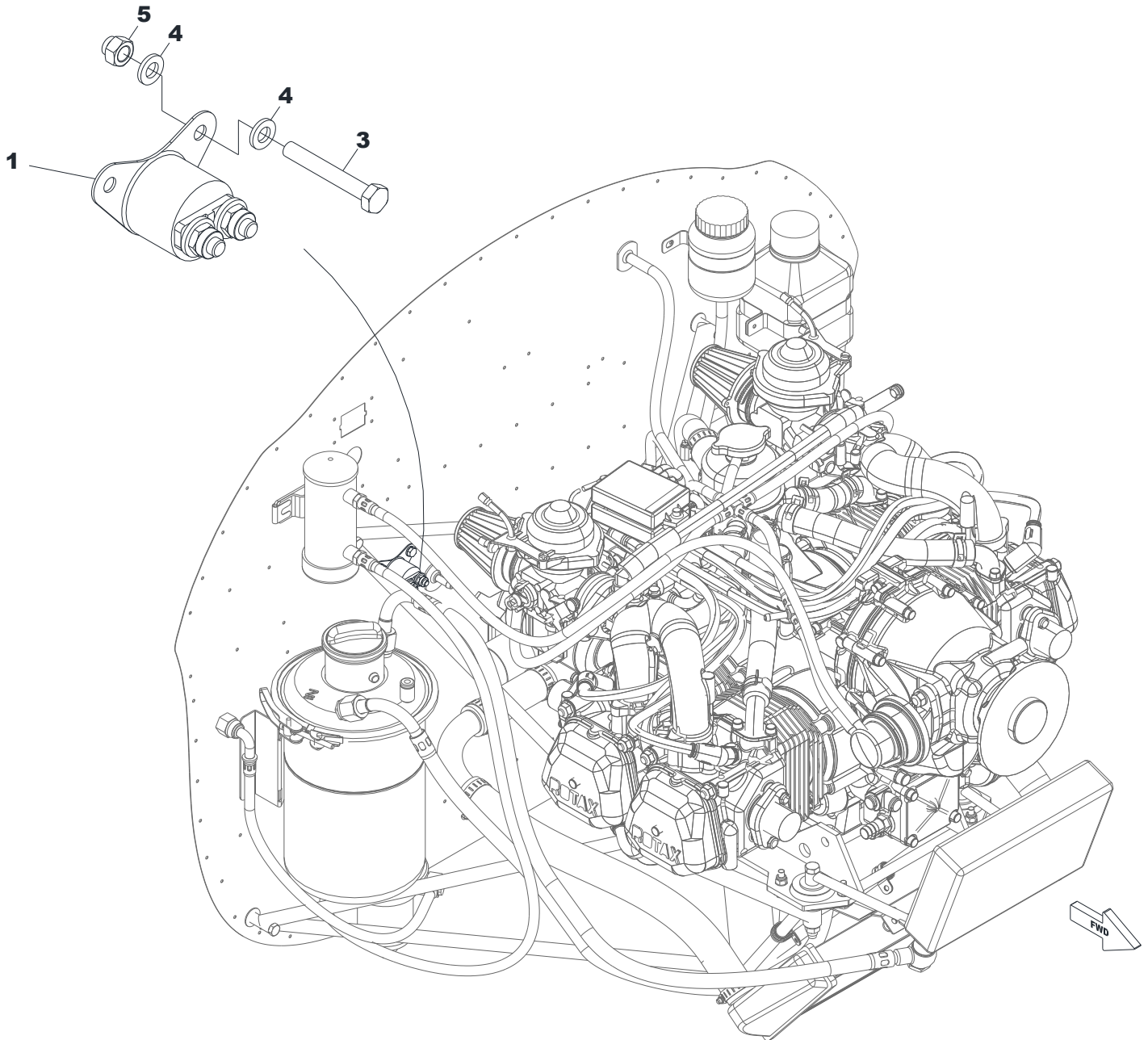


Figure 1 – Starter relay installation

Ed. 1 Rev. 0

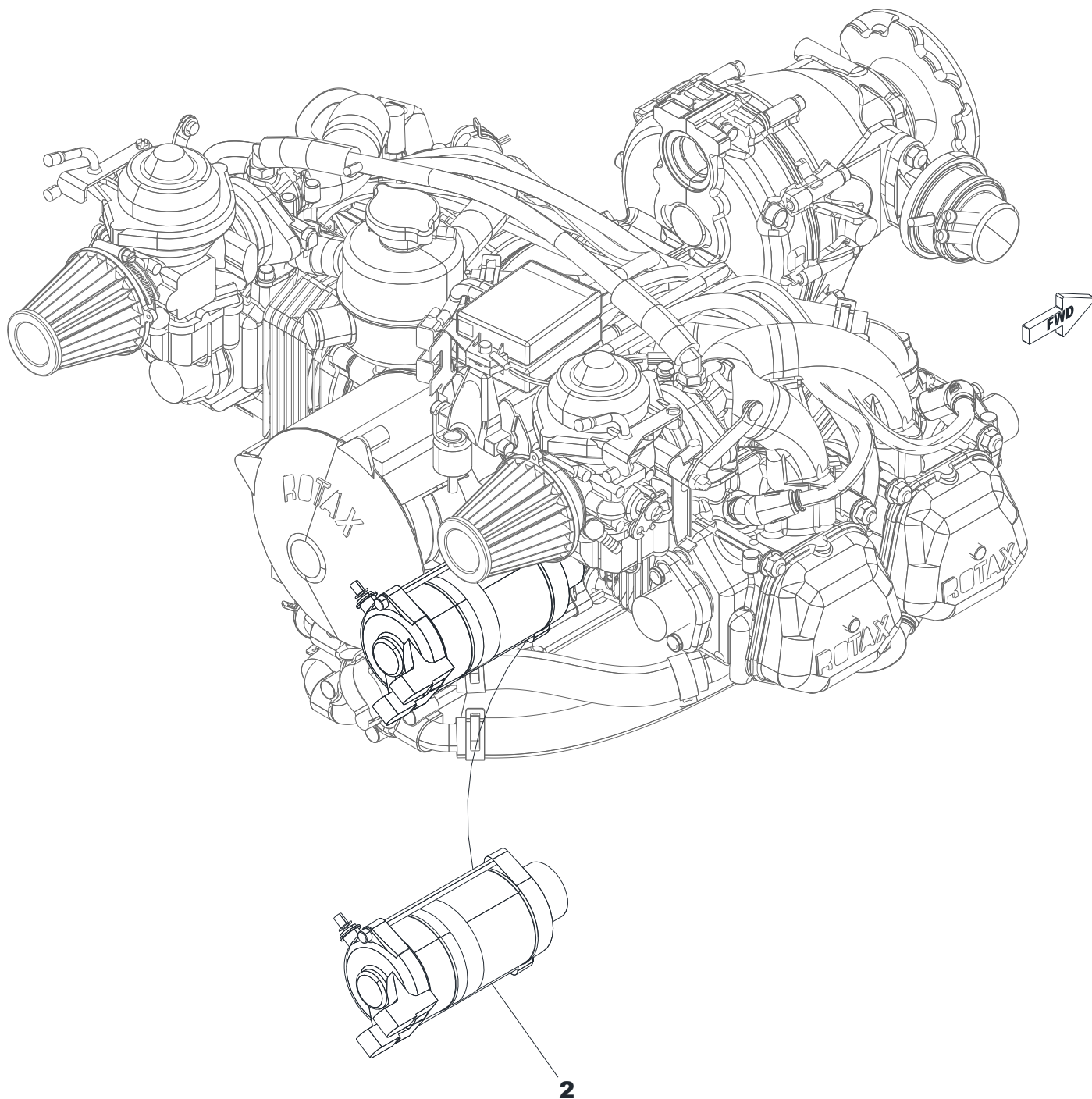


Figure 2 - Engine starter

**ILLUSTRATED PARTS
CATALOGUE***Ag2 Echo
MK2*

Ed. 1 Rev. 0

FIG.ITEM		P/N	DESCRIPTION	S/N	Q.ty LH RH
1		992819	STARTER RELAY		1
2		889751	STARTER		1
3		UNI 5739-6-16	BOLT		2
4		UNI6592-6	WASHER		4
5		UNI7474-6	STOP NUT		2